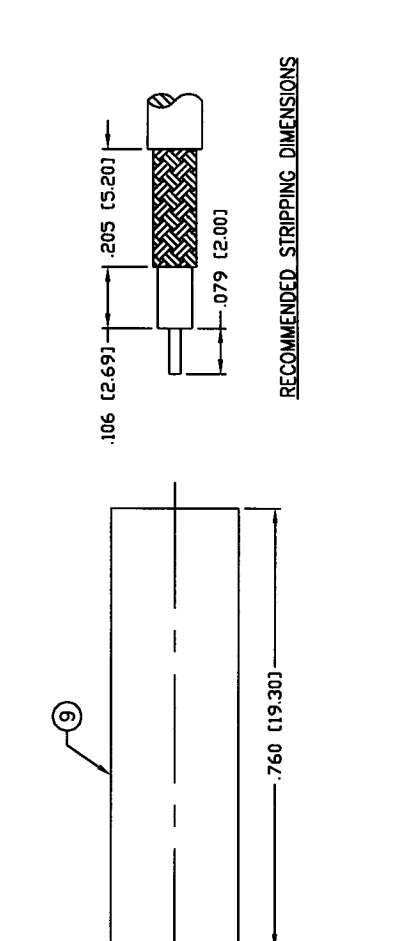
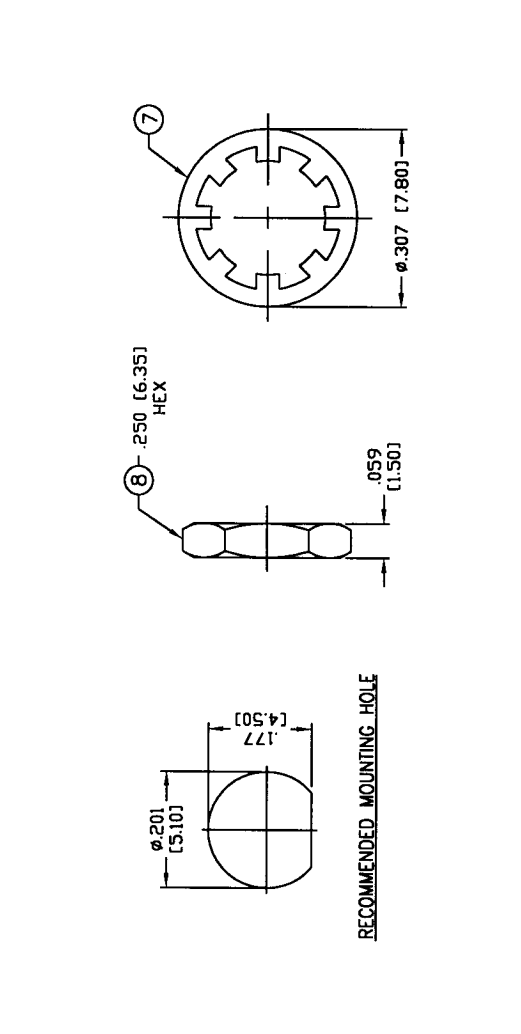
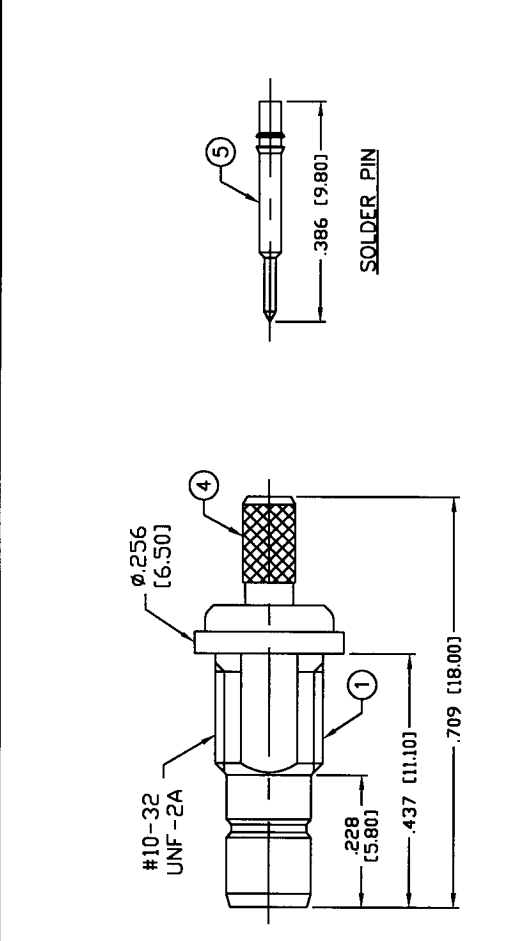


RSB-4252-1B			
REV	DESCRIPTION	DWN	DATE
-	ENGINEERING RELEASE	CZS	3/3/03
			JDMc

PART NO. **RSB-4252-1B**

THIS DRAWING CONTAINS INFORMATION PROPRIETARY TO RF INDUSTRIES. ANY UNAUTHORIZED USE OF THIS DRAWING IS EXPRESSLY PROHIBITED WITHOUT WRITTEN PERMISSION FROM RF INDUSTRIES. ANY VIOLATION IS PUNISHABLE UNDER U.S. COPYRIGHT LAWS.

ALL DIMENSIONS ARE REFERENCE ONLY



SPECIFICATIONS:

IMPEDANCE: 50 Ohms
 FREQUENCY RANGE: 0-4 GHz
 WORKING VOLTAGE: 335 V rms Max. @ Sea Level
 VSWR MAX: 1.15

INSERTION LOSS(dB): $0.03 \times \sqrt{f(\text{GHz})}$
 CONTACT RESISTANCE: $\leq 6 \text{ m Ohm}$
 INSULATION RESISTANCE: 1k M Ohms min.
 TEMPERATURE RANGE: -65°C TO 165°C

FOR RG-174, 188, 188A, 316/U, ALPHA 9174, 9316, BELDEN 8216, 83269, 83284, 84316 & TIMES LMR-100A CABLE

RECOMMENDED STRIPPING DIMENSIONS

RECOMMENDED CRIMP DIE .130"

1 BODY	1 BRASS	GOLD, 3μ
2 INSULATOR	1 PTFE	---
3 INSULATOR	1 PTFE	---
4 FERRULE STUD	1 BRASS	GOLD, 3μ
5 PIN	1 BRASS	GOLD, 30μ
6 FERRULE	1 COPPER	GOLD, 3μ
7 LOCK WASHER	1 BRASS	GOLD, 3μ
8 HEX NUT	1 BRASS	GOLD, 3μ
9 TUBING	1 HEAT SHRINK	---
10		
11		
12		
13		
14		

UNLESS OTHERWISE SPECIFIED:	7610 MIRAMAR RD SAN DIEGO, CA 92126 (858) 549-6340 (858) 549-6345 FAX DIVISION OF RF INDUSTRIES, LTD.
1. REMOVE ALL BURRS	SMB JACK, CRIMP BULKHEAD RF connectors RSB-4252-1B CAD FILE OUTLINE NTS SCALE:
2. BREAK ALL CORNERS & EDGES .005 R. MAX.	
3. CHAMFER 1ST & LAST THREADS 45°	
4. SURFACE ROUGHNESS 63 FINISH MIL-STD-10	
5. DIAMETERS ON COMMON CENTERS TO BE CONCENTRIC WITHIN .002 T.I.R.	
6. ALL DIMENSIONS ARE AFTER PLATING.	
DIMENSIONS ARE IN INCHES AND [MILLIMETERS]	SIZE A
UNLESS OTHERWISE NOTED TOLERANCES ARE:	CABLE GROUP B
DECIMALS .xxx±.003 [.08]	DWG NO. RSB-4252-1B
DIAMETER .xxx±.001 [.03]	REV --
.xx±.005 [.13]	

008974	3/3/03	DATE
DRAWN C. ZUNIGA	3-4-03	
CHECKED DM	3/3/03	
ORJ DRAWN		
C. ZUNIGA		
APPROVALS		
DESCRIPTION	QTY	MATERIAL
		FINISH
#		