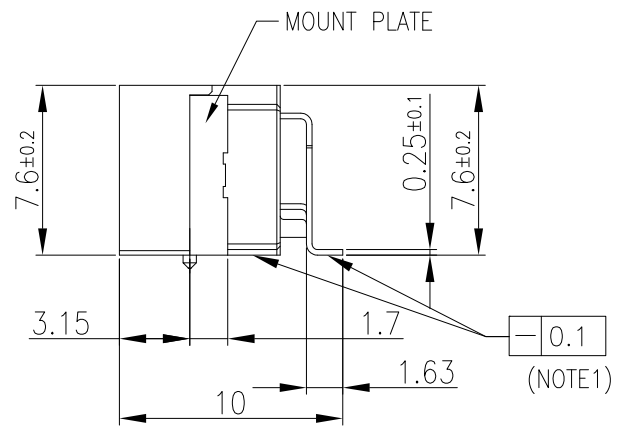
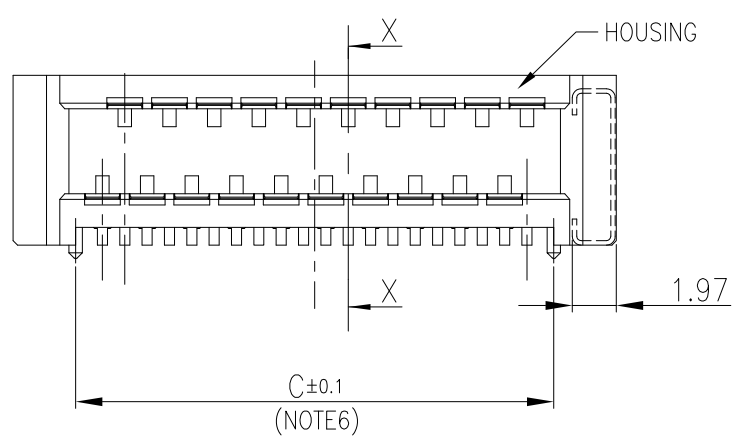
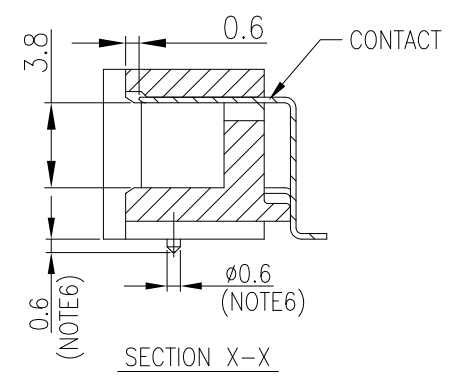
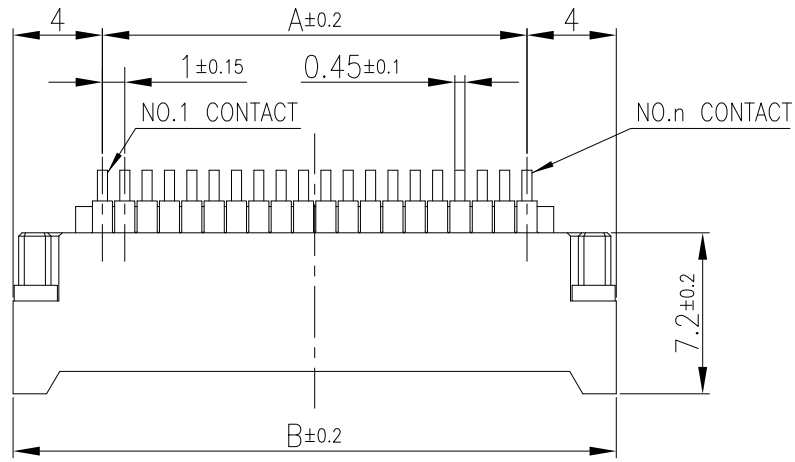
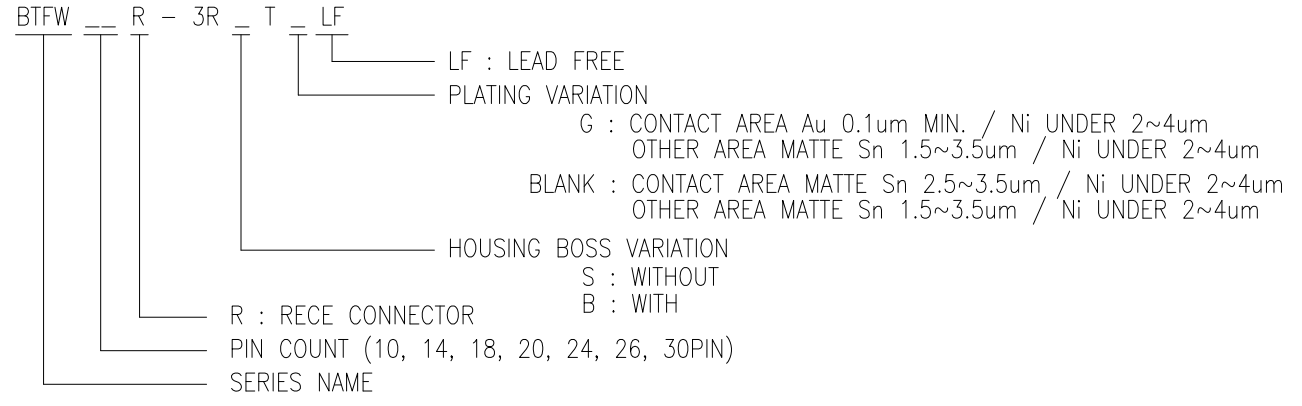


PRODUCT NO.  
BTFW\_\_R-3R\_T\_LF

NOTE

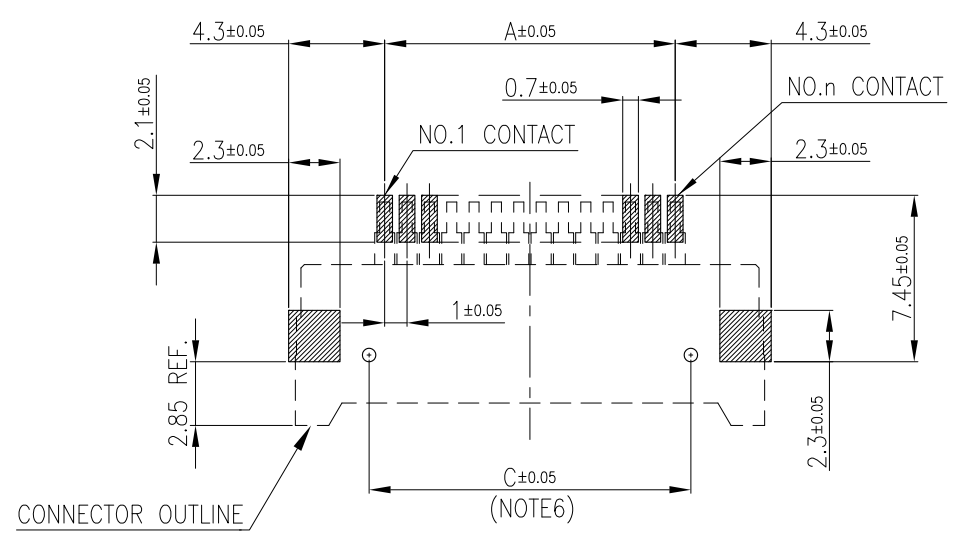
1. FLATNESS FOR CONTACT TERMINAL AND MOUNTING PLATE MUST BE WITHIN 0.1mm.
2. HOUSING MATERIAL : GLASS FILLED THERMOPLASTIC 9TPA, COLOR BLACK UL94-V0
3. CONTACT MATERIAL : BRASS C2680R
4. MOUNTING PLATE MATERIAL : BRASS C2680R (REFLOW Sn 1um MIN. PRE-PLATING)
5. THIS PRODUCT MEETS EUROPEAN UNION DIRECTIVES AND OTHER COUNTRY REGULATIONS AS DESCRIBED IN GS-47-0004.
6. THESE DIMENSIONS ARE APPLICABLE FOR WITH BOTH TYPE.
7. PRODUCT NUMBER STRUCTURE



DIMENSION TABLE

PART NUMBER	PIN COUNT	A	B	C
BTFW10R-3RST_LF	10	9	17	-
BTFW10R-3RBT_LF	10	9	17	11.4
BTFW14R-3RST_LF	14	13	21	-
BTFW14R-3RBT_LF	14	13	21	15.4
BTFW18R-3RST_LF	18	17	25	-
BTFW18R-3RBT_LF	18	17	25	19.4
BTFW20R-3RST_LF	20	19	27	-
BTFW20R-3RBT_LF	20	19	27	21.4
BTFW24R-3RST_LF	24	23	31	-
BTFW24R-3RBT_LF	24	23	31	25.4
BTFW26R-3RST_LF	26	25	33	-
BTFW26R-3RBT_LF	26	25	33	27.4
BTFW30R-3RST_LF	30	29	37	-
BTFW30R-3RBT_LF	30	29	37	31.4

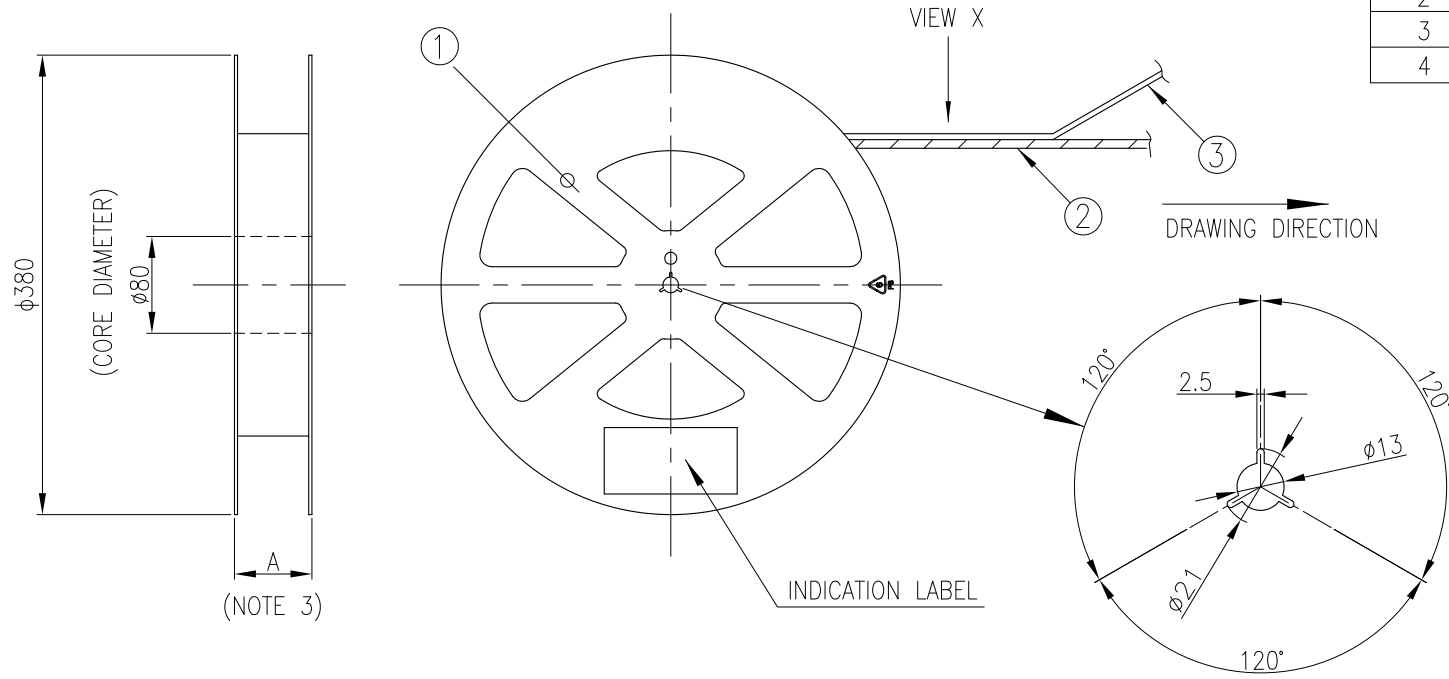
RECOMMENDED PC BOARD LAYOUT (COMPONENT SIDE)



mat'l. code		surface 58		tolerance		projection		product family	
SEE_TABLE		ISO 1302		ISO 406 ISO 1101				594F	
ltr	ecn no	dr	date	tolerances unless otherwise specified				title	
A		S.W	2018-09-10	angles linear ±0.3 0°±2'		MM		FLOATING BOARD TO BOARD RECE CONNECTOR (LEAD FREE) (CAT.No. BTFW__R-3R_T_LF)	
		dr	S.WATANABE	2018-09-10		scale 3:1		dwg no	
		enr	S.WATANABE	2018-09-10				sheet 1 of 3	
		chr	T.LENG	2018-09-10				size	
		appd	Y.KAMEDA	2018-09-10				5	
sheet	revision	A	A	A				type	
index	sheet	1	2	3				Customer Drawing	

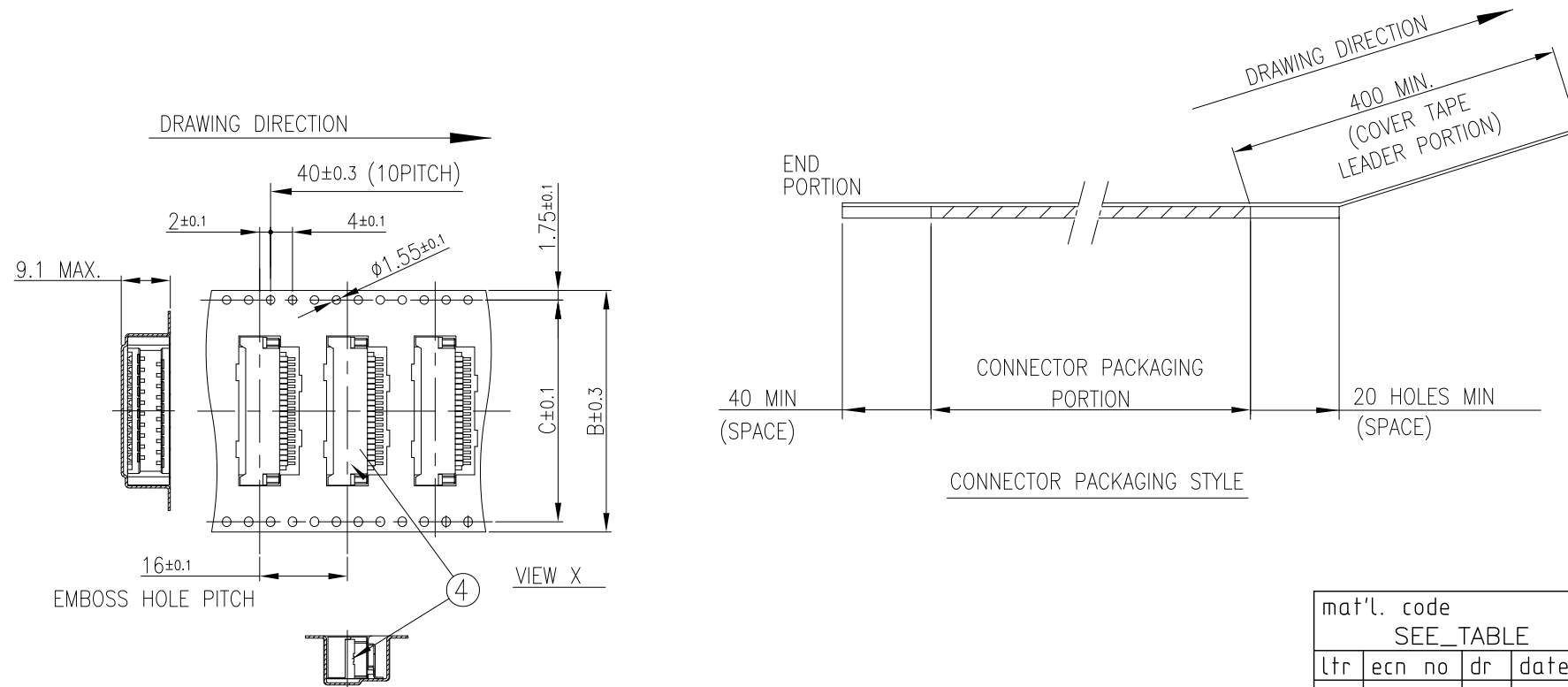
PRODUCT NO.	PIN COUNT
BTFW__R-3R_T_E4LF	10, 14, 18, 20, 24, 26, 30 PIN

PT. NO.	PARTS NAME	CAT. NO.	MATERIAL	Q'TY	NOTE
1	REEL	—————	POLYSTYRENE	1	—————
2	PLASTIC (EMBOSS) TAPE	—————	PET RESIN OR PP RESIN	—————	COLOR : TRANSPARENCY
3	COVER	—————	POLYESTER	—————	COLOR : TRANSPARENCY
4	CONNECTOR	BTFW__R-3R_T_LF	SEE SHEET 1	600	FOR BTFW__R-3R_T_E4LF



DIMENSION TABLE

PART NUMBER	PIN COUNT	A	B	C
BTFW10R-3R_T_E4LF	10	37.5	32	28.4
BTFW14R-3R_T_E4LF	14	37.5	32	28.4
BTFW18R-3R_T_E4LF	18	49.5	44	40.4
BTFW20R-3R_T_E4LF	20	49.5	44	40.4
BTFW24R-3R_T_E4LF	24	49.5	44	40.4
BTFW26R-3R_T_E4LF	26	61.5	56	52.4
BTFW30R-3R_T_E4LF	30	61.5	56	52.4

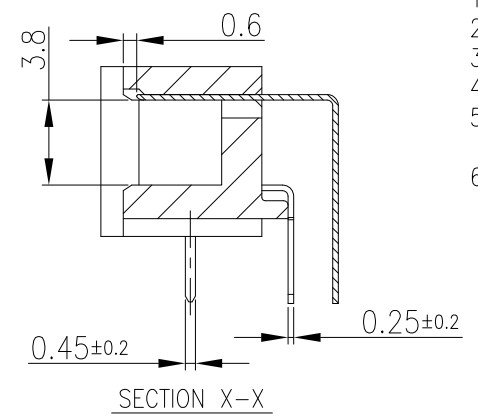
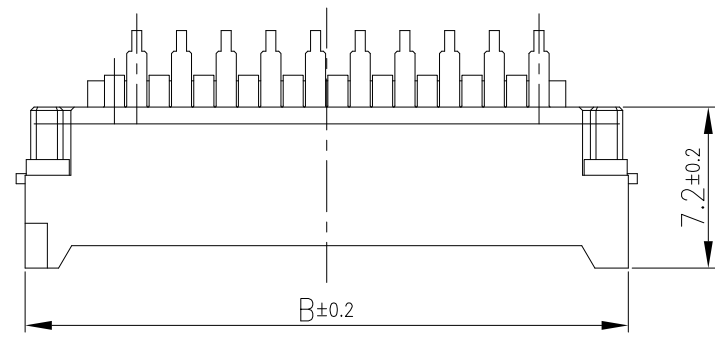


NOTE

1. THIS IS PLASTIC TAPE PACKAGED CONNECTOR USED FOR BOARD TO BOARD COPES WITH AUTOMATIC MOUNTING (SMT).
2. SEE JIS C 0806 (PACKING OF ELECTRONIC COMPONENTS ON CONTINUOUS TAPES (SURFACE MOUNTING DEVICES)) FOR SHAPE AND DIMENSIONS OF PLASTIC (EMBOSS) TAPE AND REEL.
3. THIS DIMENSION IS PORTION OF THE CORE.

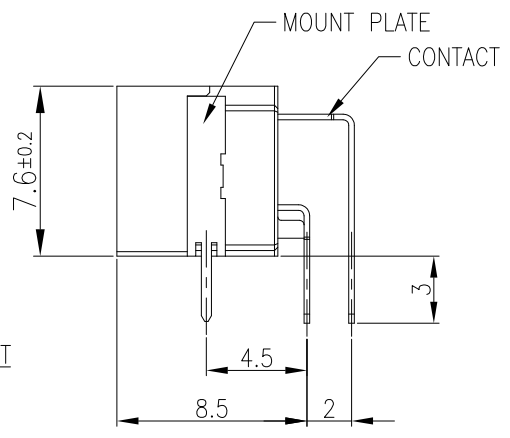
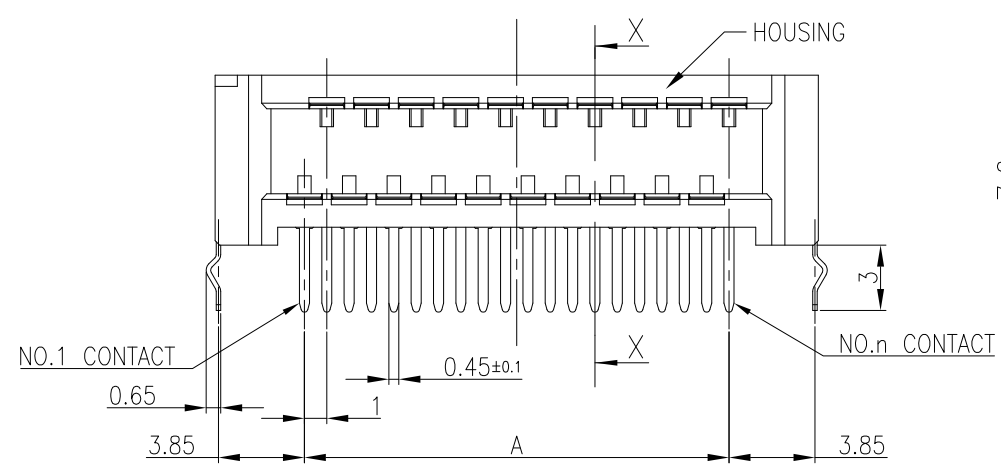
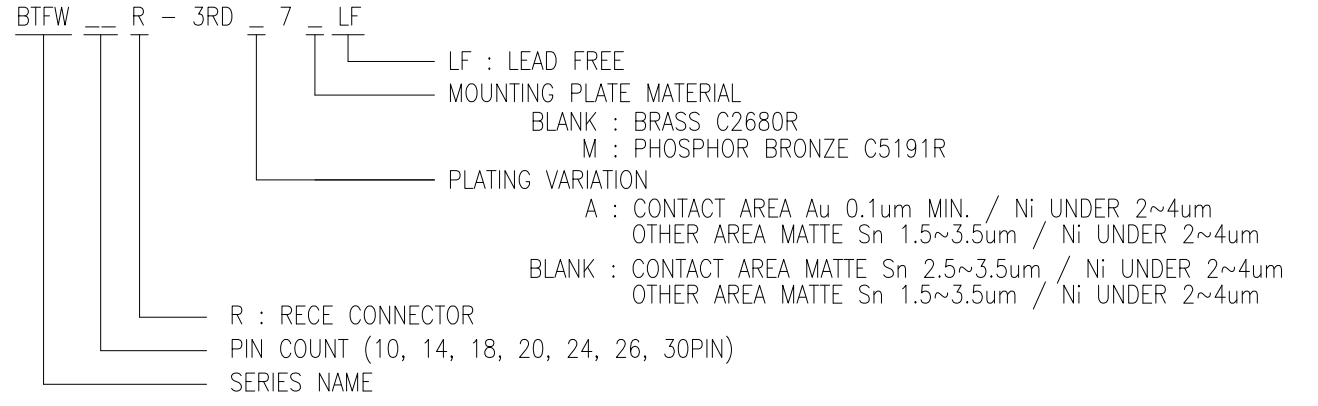
mat'l. code SEE_TABLE		surface 58 ISO 1302		tolerance ISO 406 ISO 1101		projection MM		product family 594F	
ltr	ecn no	dr	date	tolerances unless otherwise specified		MM		title FLOATING BOARD TO BOARD RECE CONNECTOR (LEAD FREE) (CAT.No. BTFW__R-3R_T_E4LF)	
A				angles	linear	±0.3		scale N/A	
				0°±2'				dwg no 10147874	
				dr	S.WATANABE	2018-09-10	Amphenol FCi	sheet 2 of 3	
				enr	S.WATANABE	2018-09-10		size 5	
				chr	T.LENG	2018-09-10		A3	
				appd	Y.KAMEDA	2018-09-10		type Customer Drawing	
sheet index	revision sheet								

PRODUCT NO.  
BTFW\_\_R-3RD\_7\_LF



NOTE

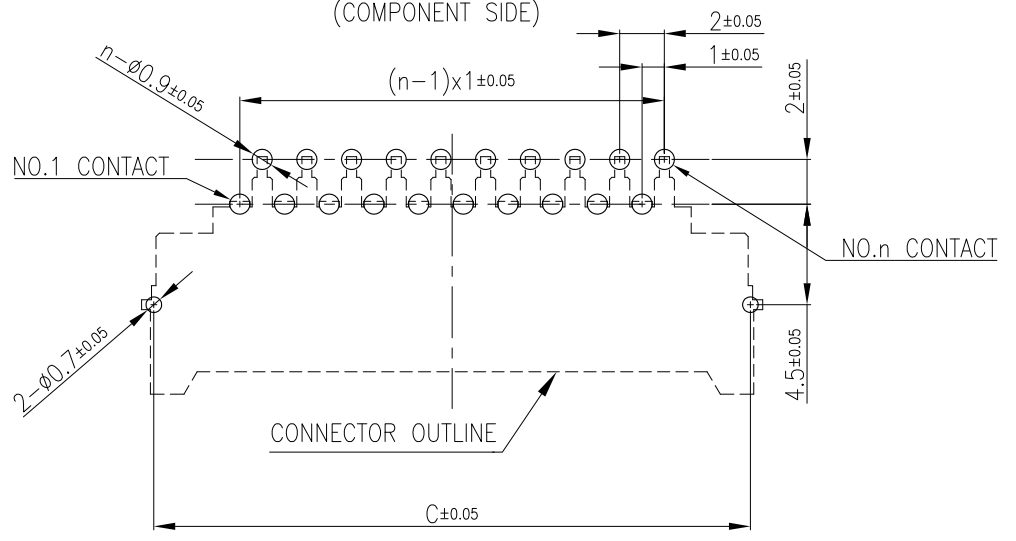
- 1.HOUSING MATERIAL : GLASS FILLED THERMOPLASTIC PBT, COLOR BLACK UL94-V0
- 2.CONTACT MATERIAL : BRASS C2680R
- 3.MOUNTING PLATE MATERIAL : SEE NOTE 7
- 4.MOUNTING PLATE PLATING : REFLOW Sn 1um MIN. PRE-PLATING
- 5.THIS PRODUCT MEETS EUROPEAN UNION DIRECTIVES AND OTHER COUNTRY REGULATIONS AS DESCRIBED IN GS-47-0004.
- 6.PRODUCT NUMBER STRUCTURE



DIMENSION TABLE

PART NUMBER	PIN COUNT	A	B	C
BTFW10R-3RD_7_LF	10	9	17	11.4
BTFW14R-3RD_7_LF	14	13	21	15.4
BTFW18R-3RD_7_LF	18	17	25	19.4
BTFW20R-3RD_7_LF	20	19	27	21.4
BTFW24R-3RD_7_LF	24	23	31	25.4
BTFW26R-3RD_7_LF	26	25	33	27.4
BTFW30R-3RD_7_LF	30	29	37	31.4

RECOMMENDED PC BOARD LAYOUT  
(COMPONENT SIDE)



mat'l. code SEE_TABLE		surface 58 ISO 1302		tolerance ISO 406 ISO 1101		projection MM		product family 594F	
ltr	ecn no	dr	date	tolerances unless otherwise specified		MM		title FLOATING BOARD TO BOARD RECE CONNECTOR (LEAD FREE) (CAT.No. BTFW__R-3RD_7_LF)	
A				angles	linear	±0.3		scale 3:1	
				0°±2'				dwg no 10147874	
				dr	S.WATANABE	2018-09-10	Amphenol FCI		sheet 3 of 3
				enr	S.WATANABE	2018-09-10			size 5
				chr	T.LENG	2018-09-10			A3
				appd	Y.KAMEDA	2018-09-10			type Customer Drawing
sheet index	revision sheet								