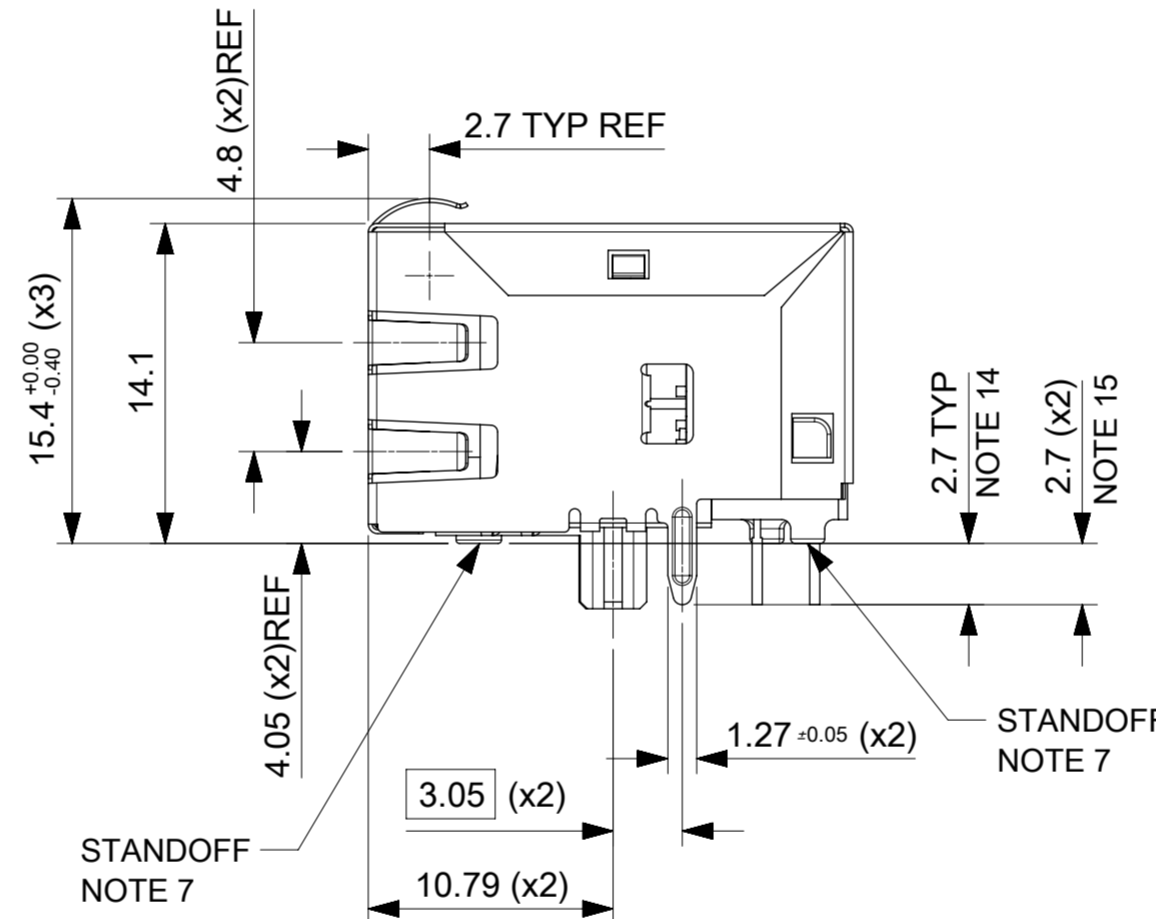
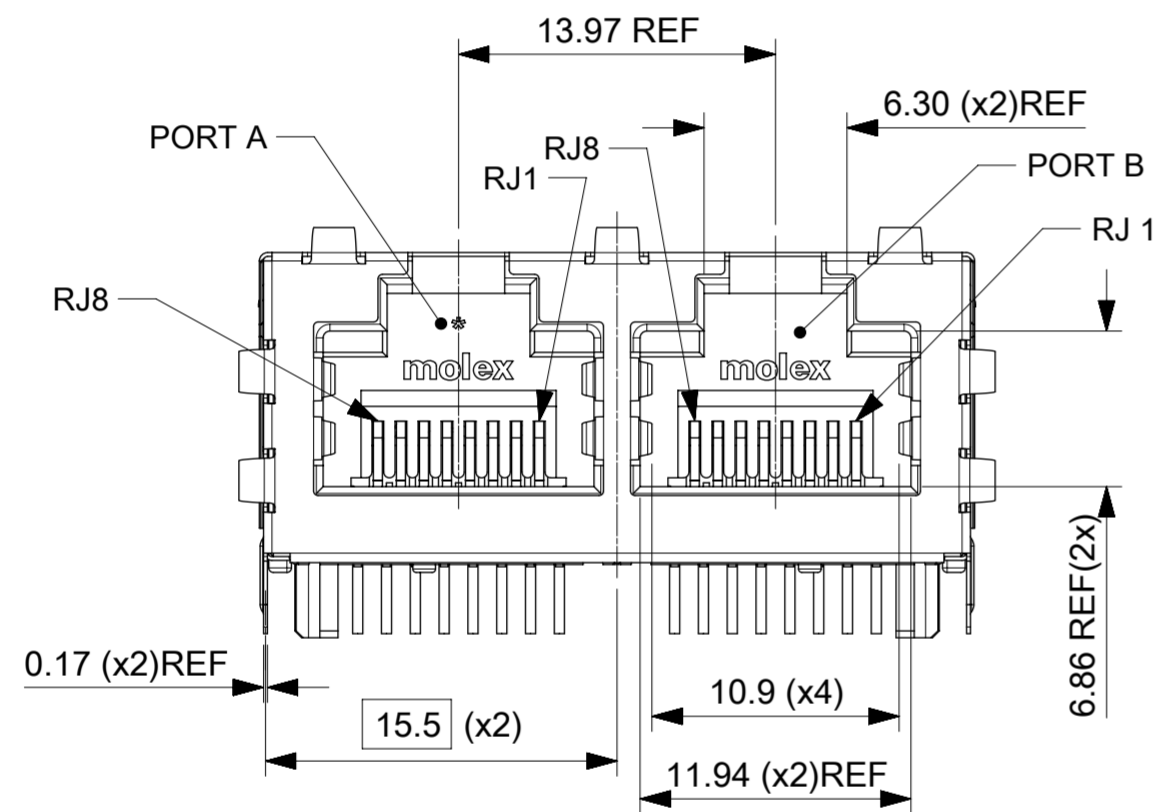
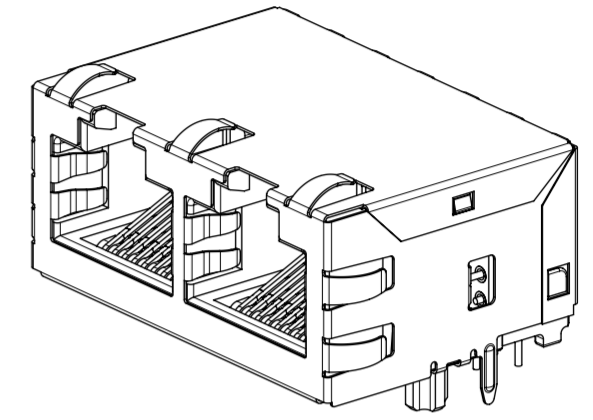
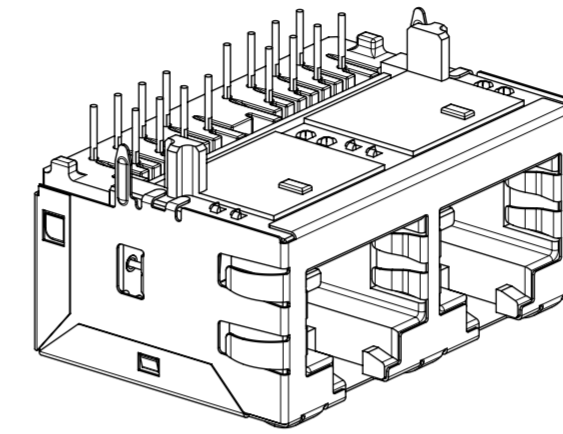


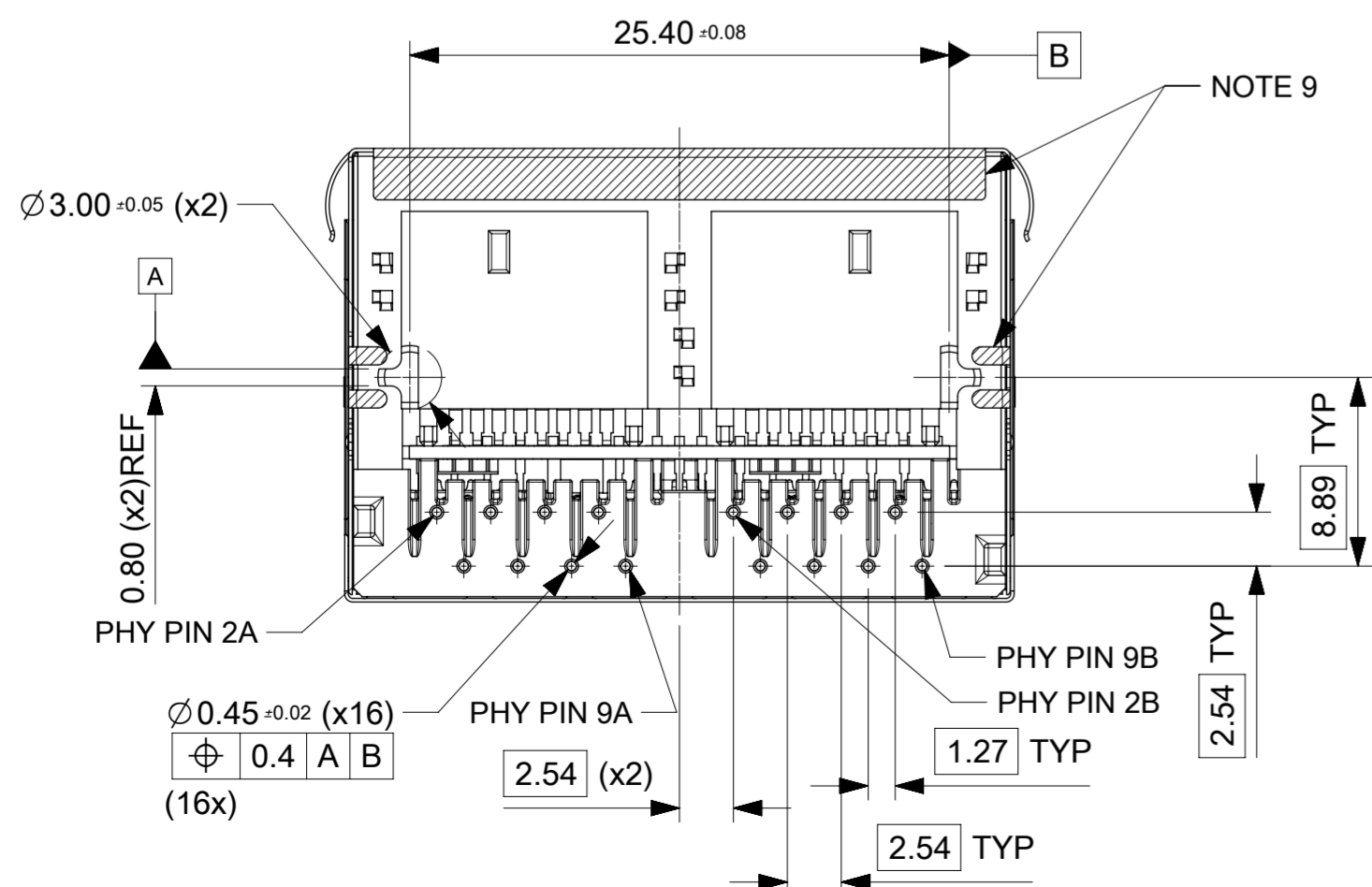
PART NUMBER 938258020



INVERTED PROFILE DUAL PORT MAGNETIC JACK  
FAST ETHERNET  
WITHOUT LED  
WITH SHIELD TABS

NOTES:

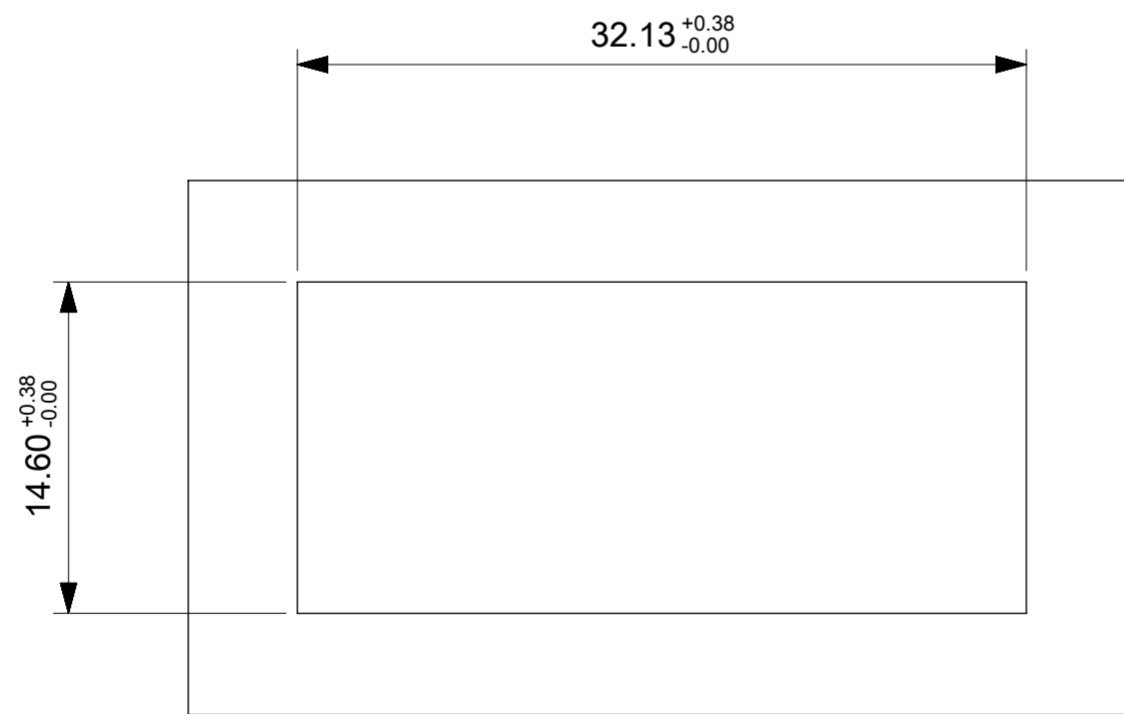
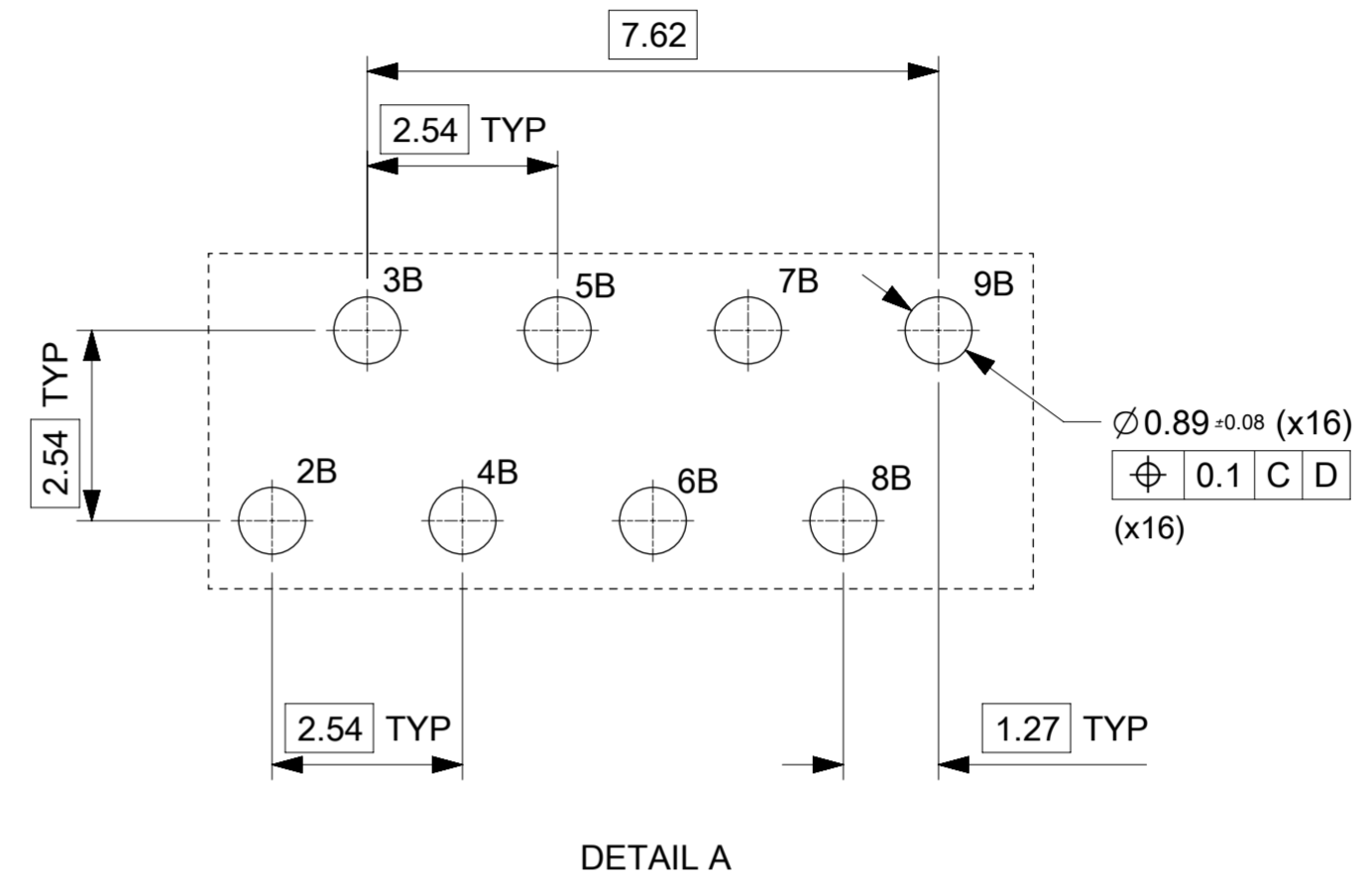
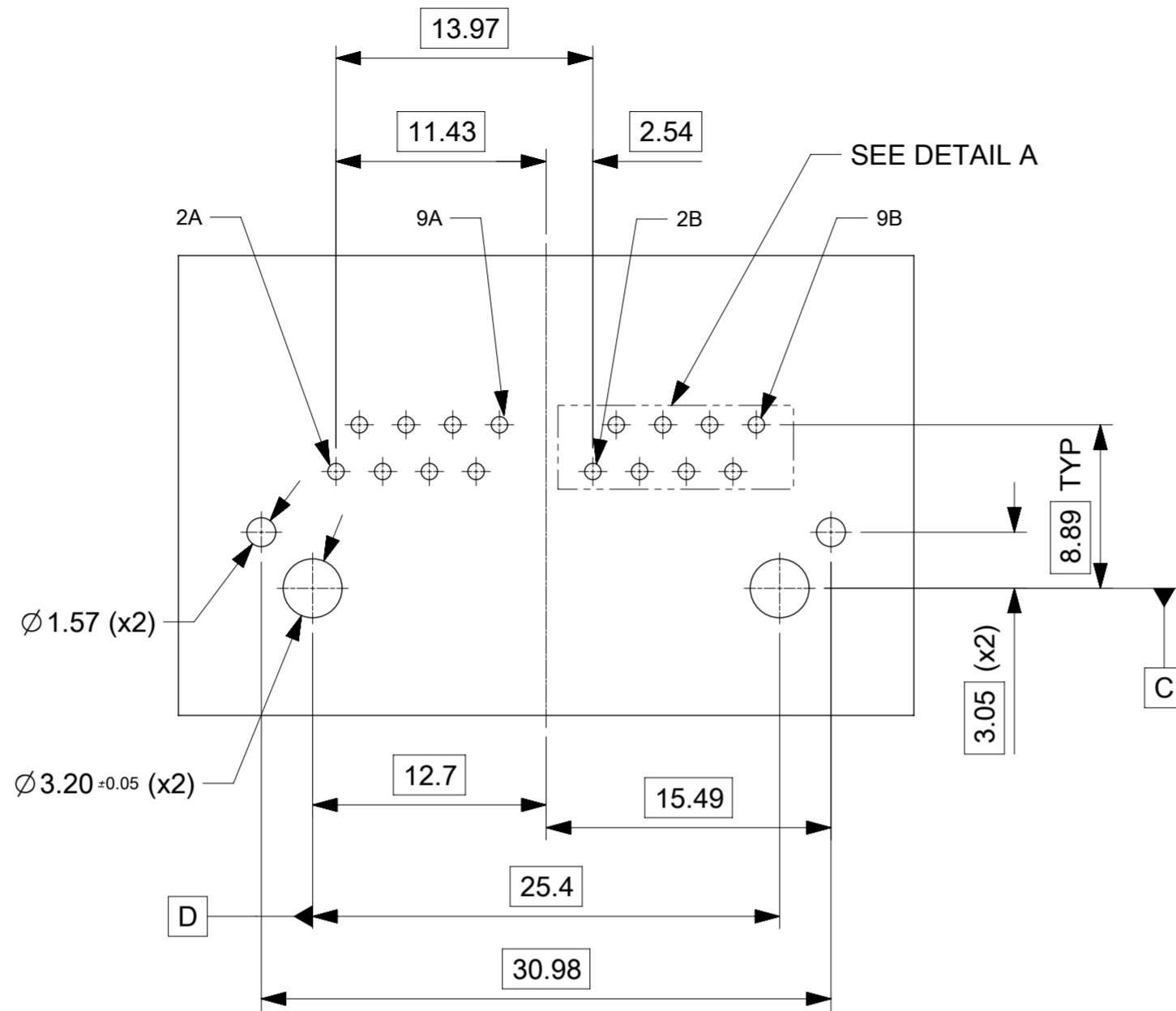
- SHIELD MATERIAL: 0.17 mm THICK BRASS PRE-PLATED WITH NICKEL  
SOLDER TABS POST DIPPED WITH MIN 1.27 μm TIN
- HOUSING MATERIAL: LCP, BLACK, UL 94V-0
- TERMINALS: PHOSPHOR BRONZE  
RJ45 CONTACTS PLATING: BASE NICKEL WITH GOLD  
FLASH OVER PALLADIUM NICKEL. REFER TO 934620001 PSP  
PHY SOLDER TAILS: COPPER ALLOY.
- MATING INTERFACE ACCORDING TO IEC 60603-7 & TIA-1096-A
- PRODUCT SPECIFICATION: 934620001 PSP
- PACKAGING SPECIFICATION: 938240001 PSK TRAY
- STAND OFF TO SYSTEM BOARD 0.30 mm MIN
- RECOMMENDED PCB THICKNESS: 1.6 mm
- SHIELD: AVOID ROUTING TRACES  
OR PLACING ANY VIAS BELOW THESE AREAS.
- FE VERSIONS DO NOT HAVE PINS 1A, 10A, 1B, 10B
- MATERIAL COMPLIANT TO RoHS DIRECTIVE 2002/95/EC
- INSCRIPTION MARKED BY LASER:  
1st: MOLEX  
2nd: PART NUMBER
- INSCRIPTION MARKED BY LASER:  
DATE CODE (DAY/WEEK/YEAR)
- PHY PIN LENGTH
- SHIELD SOLDER TAB LENGTH



THIS DRAWING CONTAINS INFORMATION THAT IS PROPRIETARY TO MOLEX ELECTRONIC TECHNOLOGIES, LLC AND SHOULD NOT BE USED WITHOUT WRITTEN PERMISSION

ORIGINAL RELEASE EC NO: 123046 DRWN: DSHEA CHKD: SMC GREEVY REV: APPR: DBYRNES	2017/10/17	2017/10/23	2017/11/07	GENERAL TOLERANCES (UNLESS SPECIFIED)	DIMENSION UNITS	SCALE			
				mm	3:1	MXMAG DUAL PORT 6C FE IND W/O LED			
				ANGULAR TOL ± 2.0 °	DRWN BY	DATE		PRODUCT CUSTOMER DRAWING	
				4 PLACES ±	DSHEA	2017/02/10		SERIES	MATERIAL NUMBER
			3 PLACES ±	CHK'D BY	DATE	93825	SEE CHART	GENERAL MARKET	
			2 PLACES ± 0.1	SMCGREEVY	2017/10/23	DOCUMENT NUMBER	DOC TYPE	DOC PART	SHEET NUMBER
			1 PLACE ± 0.2	APPR BY	DATE	938250001	PSD	000	1 OF 3
			0 PLACES ±	DBYRNES	2017/11/07				
DRAFT WHERE APPLICABLE MUST REMAIN WITHIN DIMENSIONS				DRAWING SIZE	THIRD ANGLE PROJECTION				
				A2					

RECOMMENDED PCB LAYOUT  
 FE VERSION W/O LED  
 COMPONENT SIDE  
 ALL DIMENSIONS REF DIMENSIONS



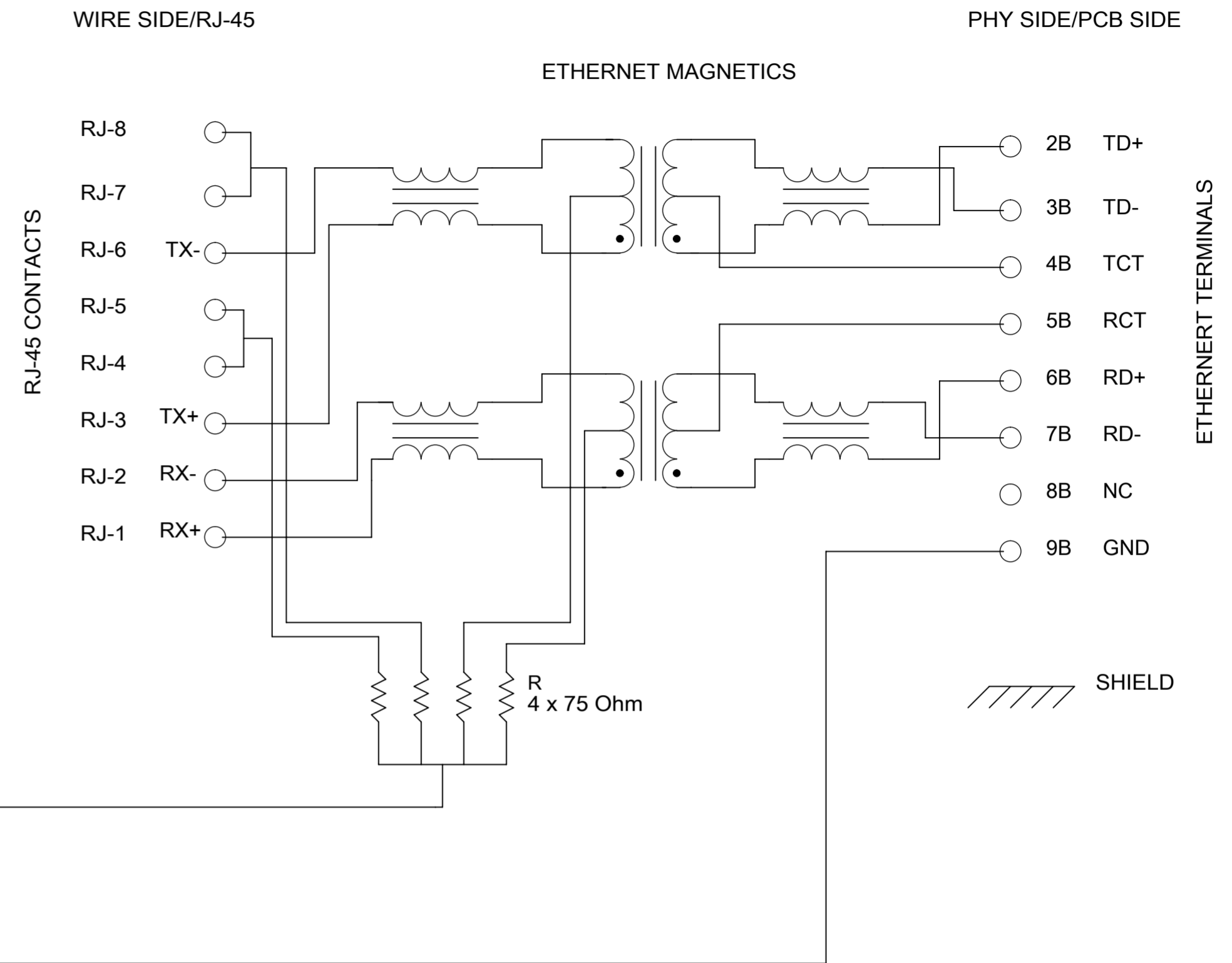
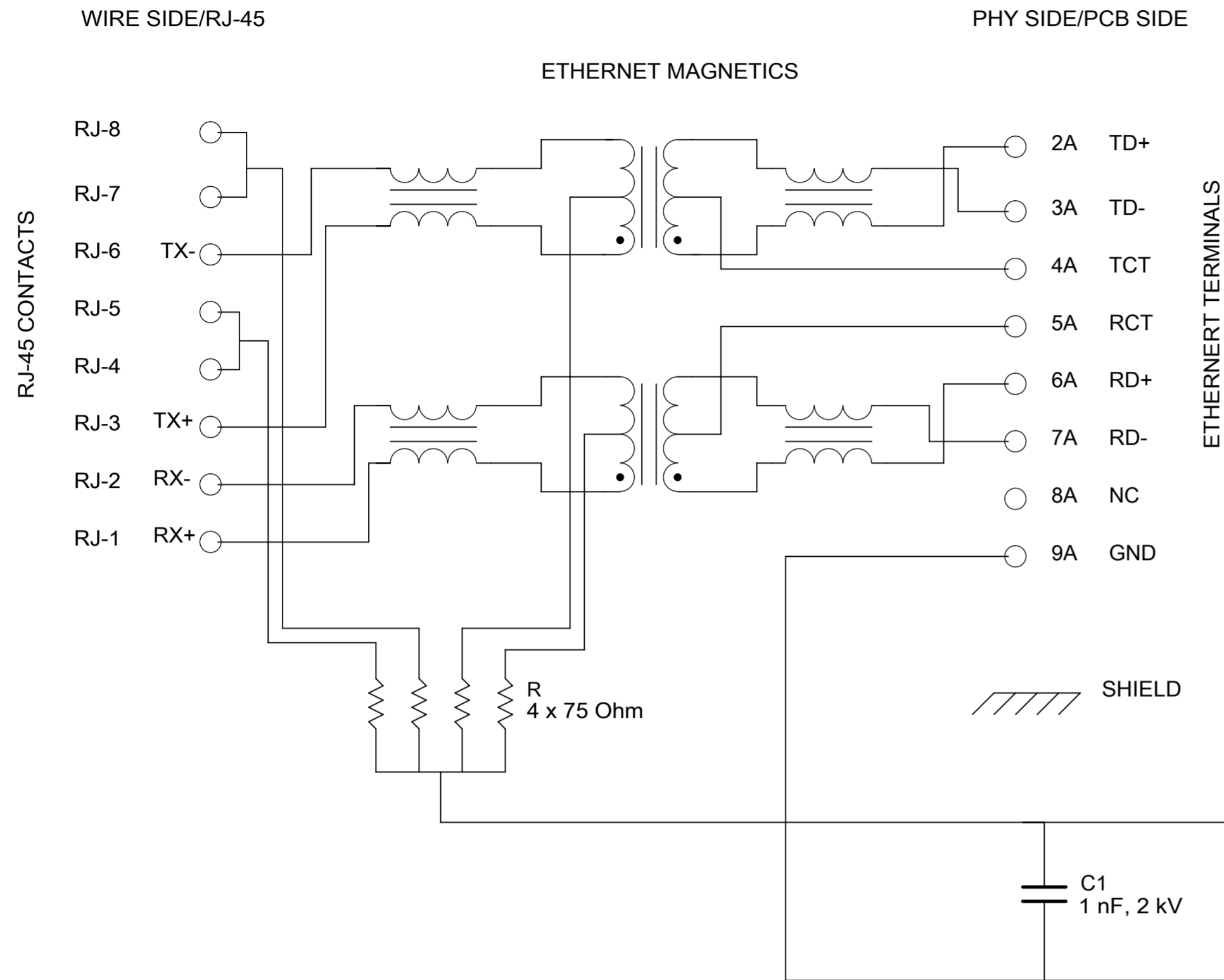
SUGGESTED PANEL CUTOUT

THIS DRAWING CONTAINS INFORMATION THAT IS PROPRIETARY TO MOLEX ELECTRONIC TECHNOLOGIES, LLC AND SHOULD NOT BE USED WITHOUT WRITTEN PERMISSION

ORIGINAL RELEASE EC NO: 123046 DRWN: DSHEA CHKD: SMCGREEVY REV: A	2017/10/17	DRWN BY	DATE	GENERAL TOLERANCES (UNLESS SPECIFIED)	DIMENSION UNITS	SCALE		<b>MXMAG DUAL PORT 6C FE IND W/O LED</b>		
	2017/10/23	DSHEA	2017/02/10		mm	1:1				
	2017/11/07	CHK'D BY	DATE	ANGULAR TOL ± 2.0 °	DRAFT WHERE APPLICABLE MUST REMAIN WITHIN DIMENSIONS				SERIES: 93825 MATERIAL NUMBER: SEE SHEET 1 CUSTOMER: GENERAL MARKET	
		SMCGREEVY	2017/10/23	4 PLACES ±	DRAWING SIZE: A2 THIRD ANGLE PROJECTION:					
		APPR BY	DATE	3 PLACES ±						
	DBYRNES	2017/11/07	2 PLACES ± 0.1							
			1 PLACE ± 0.2							
			0 PLACES ±				DOCUMENT NUMBER: 938250001	DOC TYPE: PSD	DOC PART: 000	SHEET NUMBER: 2 OF 3

PORT A

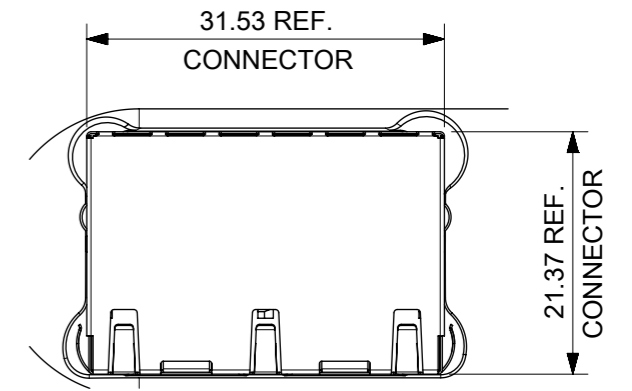
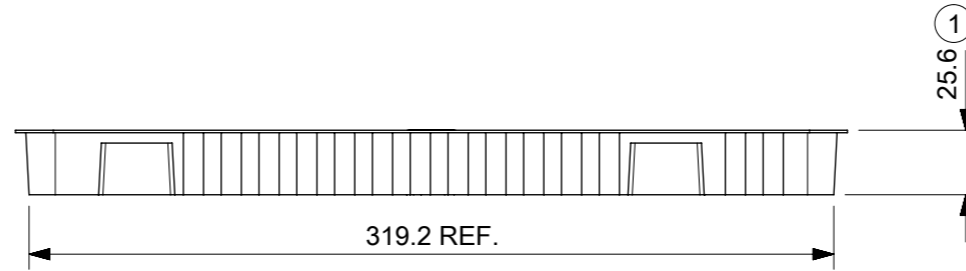
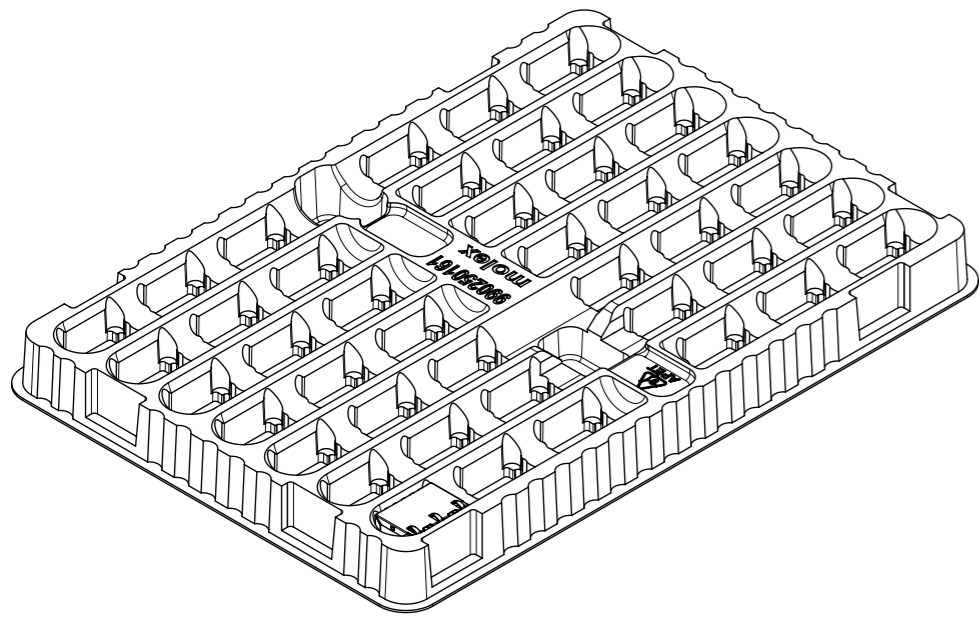
PORT B



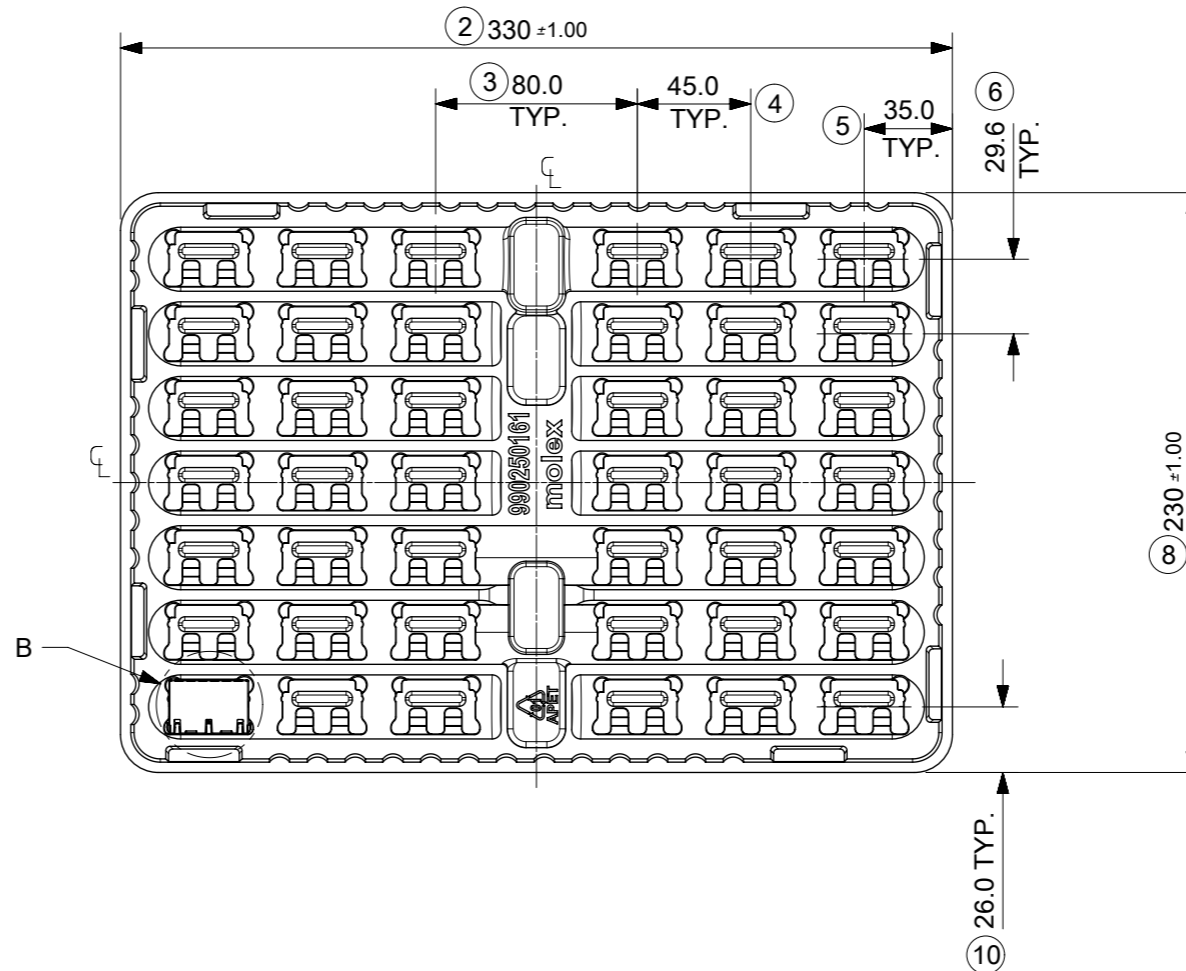
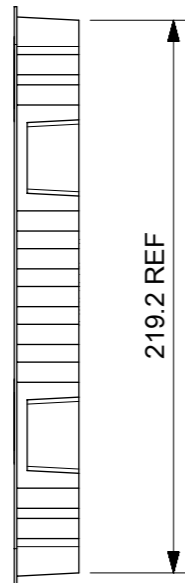
Description	Value	
OCL @100 kHz, 0.1 V, 8 mA DC bias (-40°C to +85°C)	350 µH min.	
Turns ratio	1CT:1CT	
Transmission characteristics @ 25°C, all four pairs		
Insertion Loss		
Frequency f, (MHz)	Limits (dB max.)	Typical Values (dB max.)
1.0-9.9	0.4+0.1*log(f)	0.5 @ 10 MHz
10-49.9	0.5+0.3*log(f/10)	0.7 @ 50 MHz
50-79.9	1+1.4*log(f/80)	1.0 @ 80 MHz
80-100	1.3+3*log(f/100)	1.3 @ 100 MHz
Return Loss		
Frequency f, (MHz)	Limits (dB min.)	Typical Values (dB min.)
1.0-39.9	18	18 @ 40 MHz
40-100	12-20*log(f/80)	10 @ 100 MHz
CMR		
Frequency f, (MHz)	Limits (dB min.)	Typical Values (dB min.)
1.0-100	30	30 @ 100 MHz
NEXT		
Frequency f, (MHz)	Limits (dB min.)	Typical Values (dB min.)
1.0-39.9	35	35 @ 40 MHz
40-100	33-20*log(f/50)	27 @ 100 MHz
Isolation PHY to wire side	2.25 kVDC/60sec	

THIS DRAWING CONTAINS INFORMATION THAT IS PROPRIETARY TO MOLEX ELECTRONIC TECHNOLOGIES, LLC AND SHOULD NOT BE USED WITHOUT WRITTEN PERMISSION

ORIGINAL RELEASE EC NO: 123046 DRWN: DSHEA CHKD: SMCGREEVY REV: A	2017/10/17	2017/10/23	2017/11/07	GENERAL TOLERANCES (UNLESS SPECIFIED)	DIMENSION UNITS	SCALE	
	DRWN BY	DATE	DATE	ANGULAR TOL ± 2.0 °	mm	1:1	
	4 PLACES ±	DSHEA	2017/02/10	±	DRWN BY	DATE	
	3 PLACES ±	CHK'D BY	DATE	± 0.1	SMCGREEVY	2017/10/23	
2 PLACES ±	APPR BY	DATE	± 0.2	1 PLACE ±	DATE	PRODUCT CUSTOMER DRAWING	
0 PLACES ±	DBYRNES	2017/11/07	DRAFT WHERE APPLICABLE MUST REMAIN WITHIN DIMENSIONS	DRAWING SIZE	THIRD ANGLE PROJECTION	SERIES	MATERIAL NUMBER
A	A2			93825	SEE SHEET 1	CUSTOMER	GENERAL MARKET
				DOCUMENT NUMBER	DOC TYPE	DOC PART	SHEET NUMBER
				938250001	PSD	000	3 OF 3



DETAIL B  
SCALE 3:2



NOTES:

1. MATERIAL: PETA ANTISTATIC
2. THICKNESS: 0.9 mm REF
3. COLOUR: CLEAR
4. BOW 2 mm MAXIMUM PER 330 mm
5. TWIST 2 mm MAXIMUM PER 330 mm
6. TRAY PART NO. AND RECYCLE LOGO TO BE CLEARLY MARKED ON TRAY  
RECYCLE LOGO SHOULD BE APPROPRIATE TO MATERIAL USED
7. WHERE RELEVANT, DIMENSIONS SHOULD BE SYMMETRICAL ABOUT THE CENTRELINE
8. GENERAL PROFILE TOLERANCE  $\frac{\text{R}}{0.40}$  ON NON DIMENSIONED FEATURES
9. PACKAGING SPECIFICATION: 938240001 PSK

DIMENSION NUMBERS DELETED: 7, 9, 11, 12  
LAST INSPECTION NUMBER USED: 10

THIS DRAWING CONTAINS INFORMATION THAT IS PROPRIETARY TO MOLEX ELECTRONIC TECHNOLOGIES, LLC AND SHOULD NOT BE USED WITHOUT WRITTEN PERMISSION

ORIGINAL RELEASE EC NO: 123046 DRWN: DSHEA CHK'D: SMCGREEVY APPR: DBYRNES	2017/10/17	2017/10/23	GENERAL TOLERANCES (UNLESS SPECIFIED) ANGULAR TOL ± 1.0 ° 4 PLACES ± 3 PLACES ± 2 PLACES ± 0.2 1 PLACE ± 0.5 0 PLACES ± DRAFT WHERE APPLICABLE MUST REMAIN WITHIN DIMENSIONS	DIMENSION UNITS	SCALE				
				mm	1:3				
				DRWN BY	DATE		SMCGREEVY	2017/06/15	
				CHK'D BY	DATE		SMCGREEVY	2017/10/23	
				APPR BY	DATE	PRODUCT CUSTOMER DRAWING			
				DBYRNES	2017/11/07	SERIES	MATERIAL NUMBER	CUSTOMER	
				DRAWING SIZE	THIRD ANGLE PROJECTION	99025	990250150	GENERAL MARKET	
				A3		DOCUMENT NUMBER	DOC TYPE	DOC PART	SHEET NUMBER
						990250161	PSD	000	1 OF 1

RELEASE STATUS	P1	RELEASE DATE	07.11.2017	10:13:22
----------------	----	--------------	------------	----------