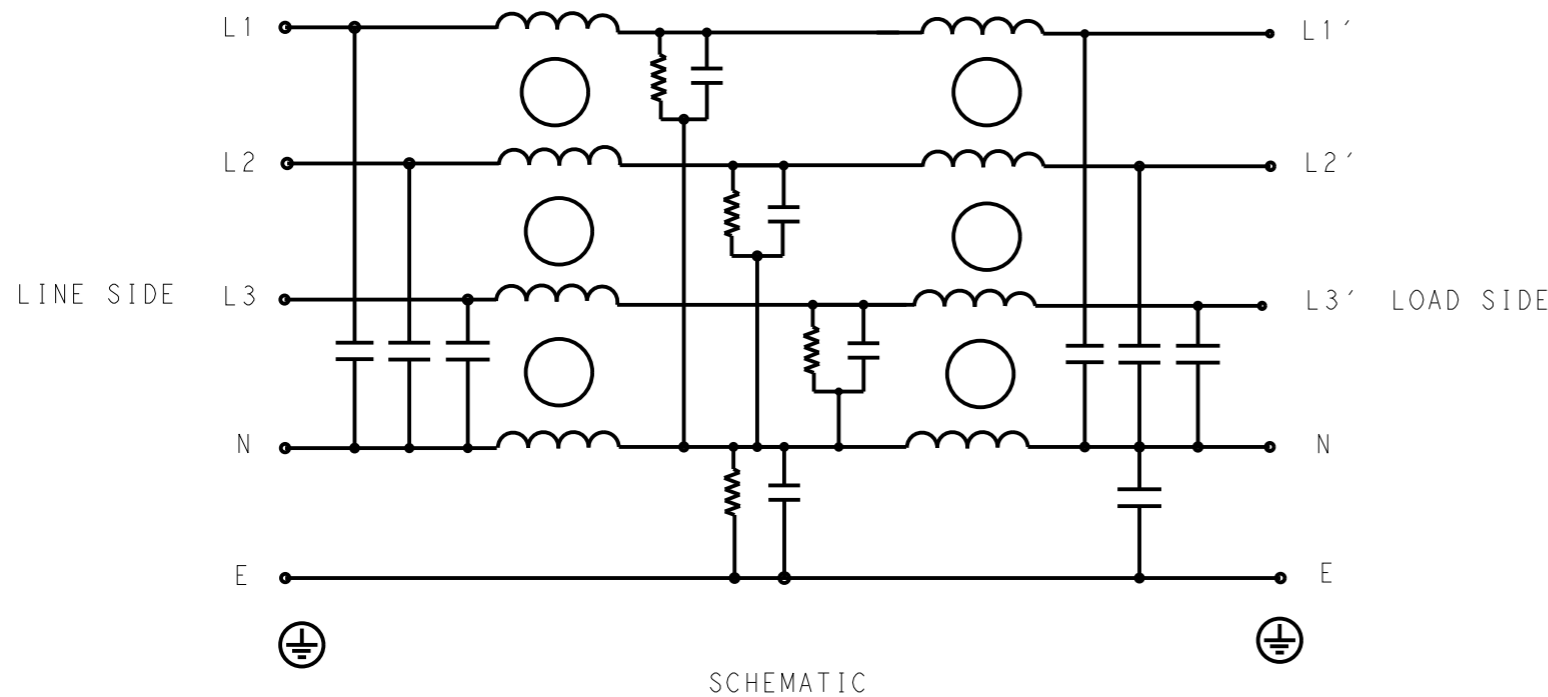


P	LTR	DESCRIPTION	DATE	DWN	APVD
	A	INITIAL RELEASE	21APR2021	SR	CB



SAFETY ORGANIZATIONS
 THIS FILTER WILL BE FORMALLY RECOGNIZED, CERTIFIED OR APPROVED BY THE LISTED AGENCY. THEREFORE, ALL TEST/REQUIREMENTS SPECIFIED IN THE LATEST REVISION OF THE FOLLOWING AGENCY STANDARDS WILL BE MET:

UL APPROVED 100A 520V 50Hz/60Hz 50°C
 CSA APPROVED 100A 520V 50Hz/60Hz 50°C

OPERATING SPECIFICATION
 LINE CURRENT/VOLTAGE: 100A, 520VAC
 LINE FREQUENCY: 50/60Hz

MAXIMUM LEAKAGE CURRENT: 11mA @ 230VAC, 50Hz
 OPERATING AMBIENT TEMPERATURE RANGE @ RATED CURRENT: -10°C TO +50°C
 IN AN AMBIENT, T_a, HIGHER THAN 50°C, THE MAXIMUM OPERATING CURRENT, I_o, IS AS FOLLOWS:

$$I_o = I_r \sqrt{\frac{105 - T_a}{55}}$$

RELIABILITY SPECIFICATIONS
 STORAGE TEMPERATURE: -40°C TO +85°C
 HUMIDITY: 21 DAYS @ 40°C AND 95% RH

TEST SPECIFICATIONS
 INDUCTANCE, NOMINAL: 0.2mH

CAPACITANCE @ 1kHz
 NEUTRAL TO GROUND, NOMINAL: 2.2µF
 LINE TO NEUTRAL, NOMINAL: 6.6µF

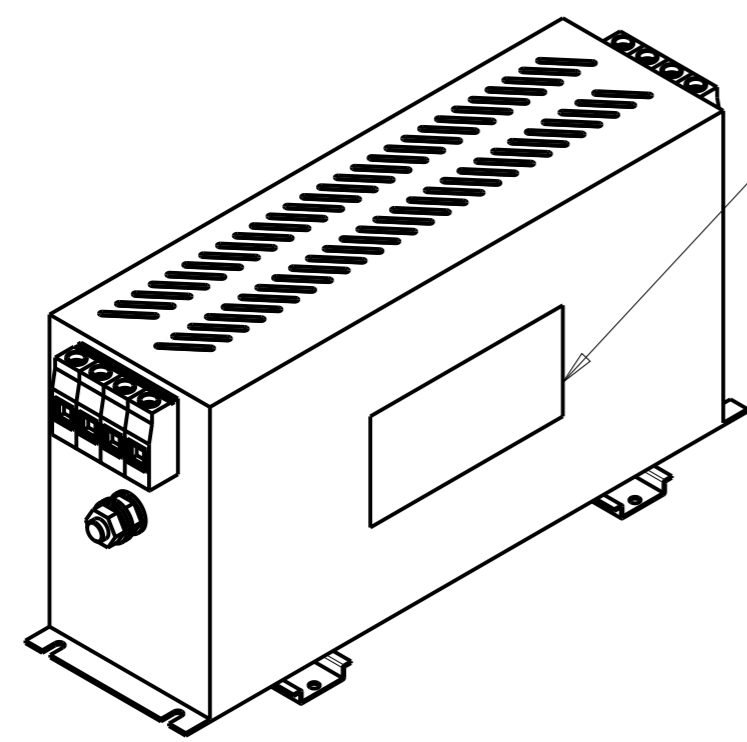
DISCHARGE RESISTOR
 L/L I.R. 2MΩ 2W
 L/N I.R. 1.5MΩ 2W
 L/G I.R. 2MΩ 2W
 N/G I.R. 680KΩ 2W
 IR (NO DISCHARGE RESISTOR) 20°C, 50% RH AND 100VDC, MIN: 6MΩ

RECOMMENDED RECEIVING INSPECITON HIPOI
 LINE TO GROUND FOR 1 MINUTE: 2856VDC
 LINE TO LINE FOR 1 MINUTE: 2236VDC
 LINE TO NEUTRAL FOR 1 MINUTE: 1290VDC

FILTER APPROVAL
 THE BEST WAY TO SELECT AND QUALIFY A FILTER IS FOR YOUR ENGINEERING TO TEST THE UNIT IN YOUR EQUIPMENT.

TYPICAL INSERTION LOSS
 COMMON MODE 50/50Ω; DIFFERENTIAL MODE 50/50Ω

MHz	0.01	0.05	0.15	0.5	1	3	5	10	30
CM	40	37	42	32	36	48	50	46	20
DM	45	40	50	25	32	50	47	32	22



LABEL TO TE MARKING SPECIFICATION

THIS DRAWING IS A CONTROLLED DOCUMENT.		DWN SUPREETH R 21APR2021		
		CHK CHRIS BOLLE 21APR2021		
DIMENSIONS: mm		APVD CHRIS BOLLE 21APR2021	NAME POWER LINE FILTER FOR DIN 35 RAIL INSTALLATION 100KEVD10BBSWHM	
TOLERANCES UNLESS OTHERWISE SPECIFIED:		PRODUCT SPEC -	RESTRICTED TO -	
0 PLC ±-		APPLICATION SPEC -	SIZE A3	CAGE CODE 00779
1 PLC ±0.5		WEIGHT -	DRAWING NO C-6-1609998-9	
2 PLC ±0.40		CUSTOMER DRAWING	SCALE 3:10	SHEET 1 OF 2
3 PLC ±0.130				REV A
4 PLC ±0.0500				
ANGLES ±-				
MATERIAL -	FINISH -			

© 2021 TE Connectivity. All Rights Reserved.

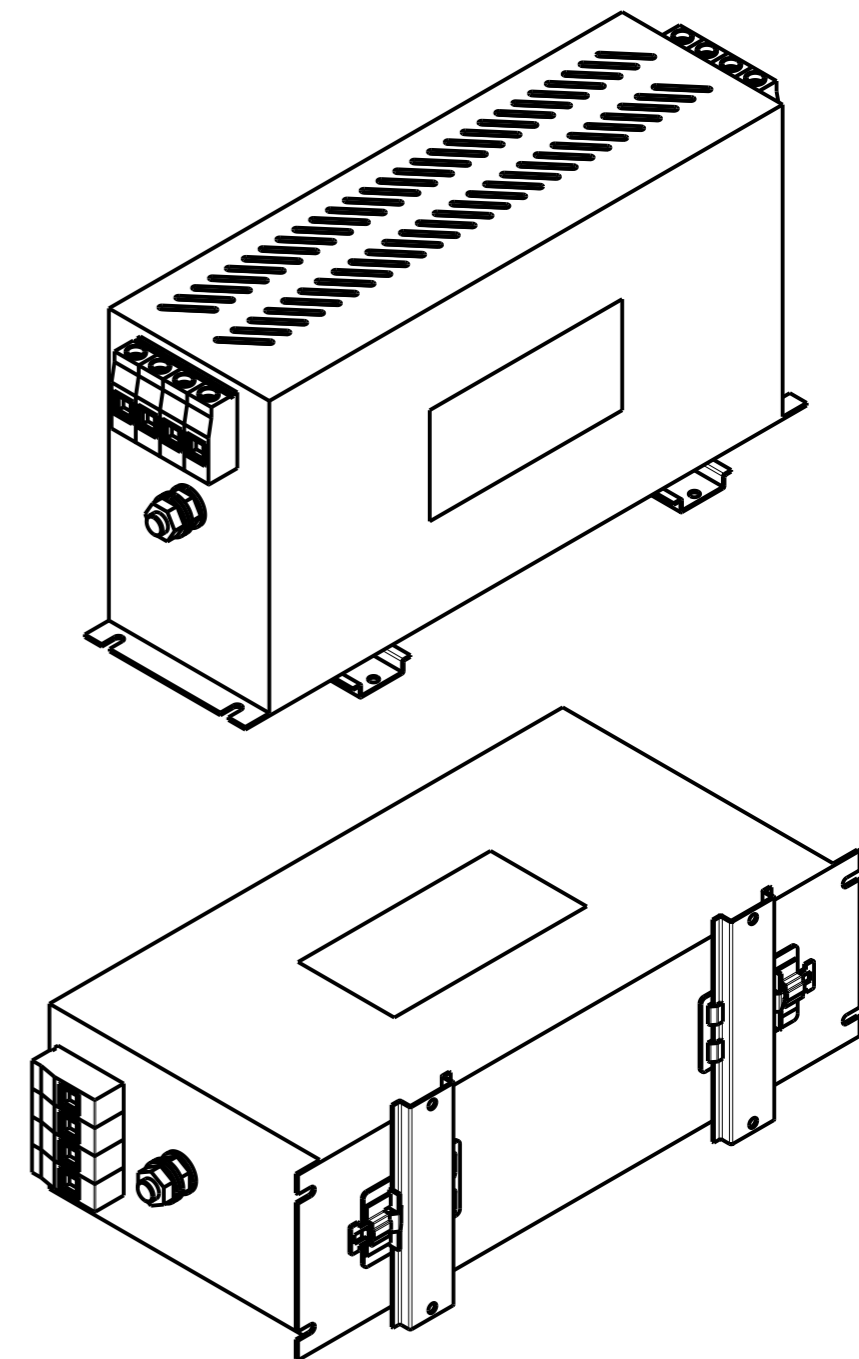
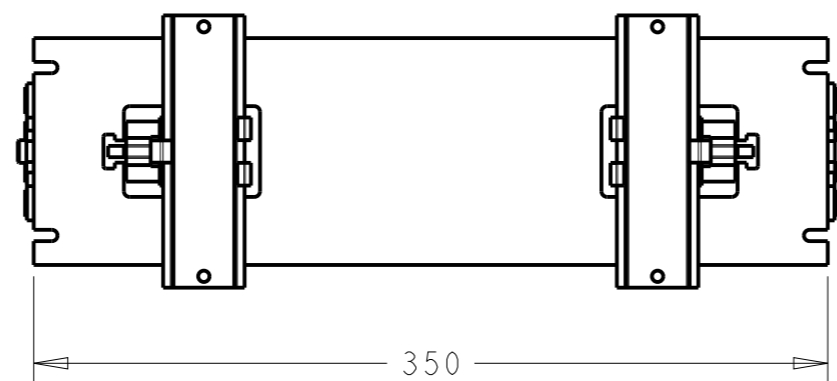
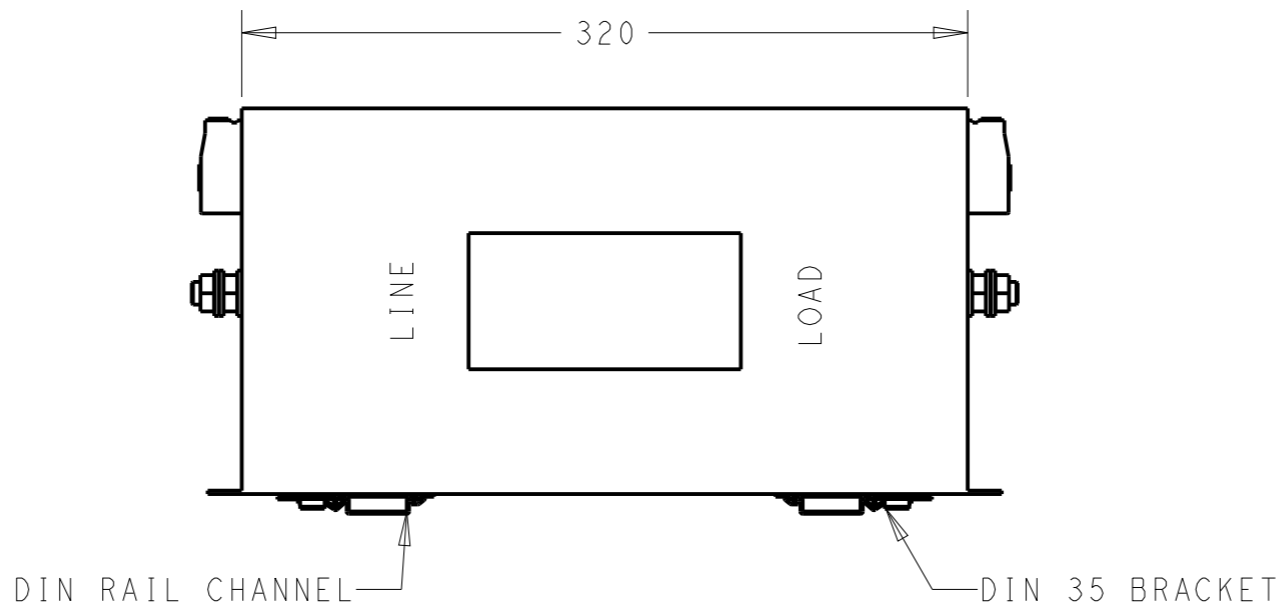
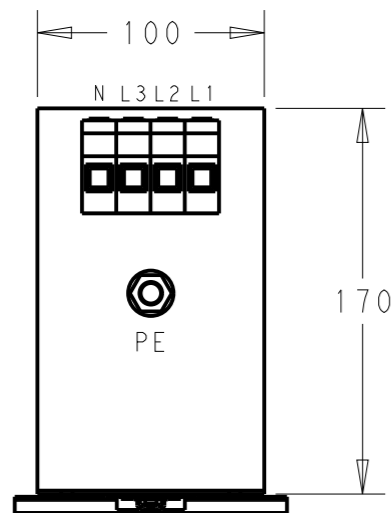
NOTE 1 GROUND CONNECTION:
 FOR ELECTRICAL SAFETY AND FILTER PERFORMANCE
 UNIT MUST HAVE A GOOD GROUND CONNECTION.
 TORQUE OUTER TERMINAL SCREWS: 2 Nm / 18 in.lbs
 TORQUE GROUND NUTS: 4-10Nm

NOTE 2 INPUT OUTPUT CONNECTION TERMINAL
 AWG SIZE: 8-4 AWG
 WIRE SECTION: 25mm²
 THREADED BOLT SIZE FOR GROUND: M10

NOTE 3 SUPPLIED WITH DIN RAIL BRACKET.

NOTE 4 DRAWING SHOWS DIN RAIL FOR REFERENCE ONLY.

REVISIONS					
P	LTR	DESCRIPTION	DATE	DWN	APVD
		SEE SHEET 1			



THIS DRAWING IS A CONTROLLED DOCUMENT.		DWN SUPREETH R 21APR2021		
DIMENSIONS: mm		CHK CHRIS BOLLE 21APR2021		
TOLERANCES UNLESS OTHERWISE SPECIFIED:		APVD CHRIS BOLLE 21APR2021	NAME POWER LINE FILTER FOR DIN 35 RAIL INSTALLATION 100KEVD10BBSWHM	
0 PLC ±-		PRODUCT SPEC	SIZE	RESTRICTED TO
1 PLC ±0.5		APPLICATION SPEC	CAGE CODE	
2 PLC ±0.40		WEIGHT	DRAWING NO	
3 PLC ±0.130			A300779	
4 PLC ±0.0500			C-6-1609998-9	
ANGLES ±-				
MATERIAL	FINISH	CUSTOMER DRAWING	SCALE	SHEET
-	-		3:10	2 OF 2
				REV A