

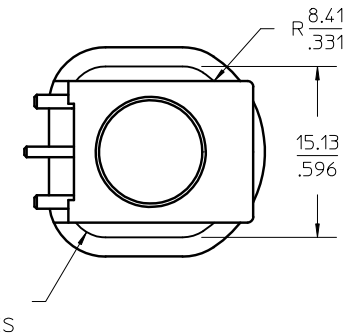
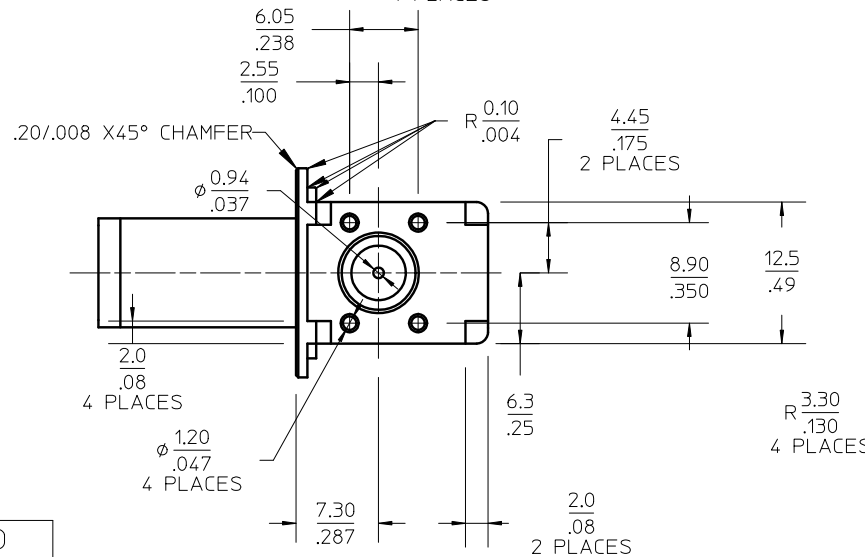
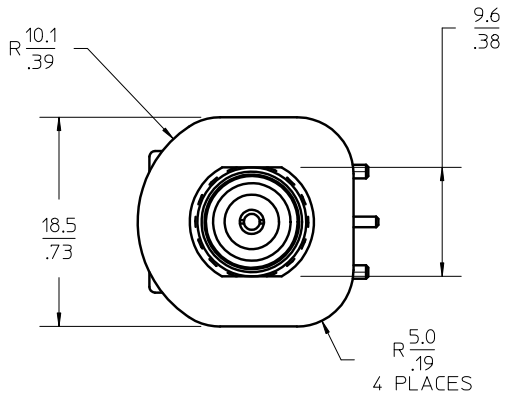
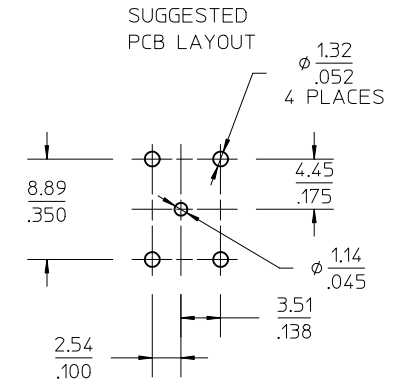
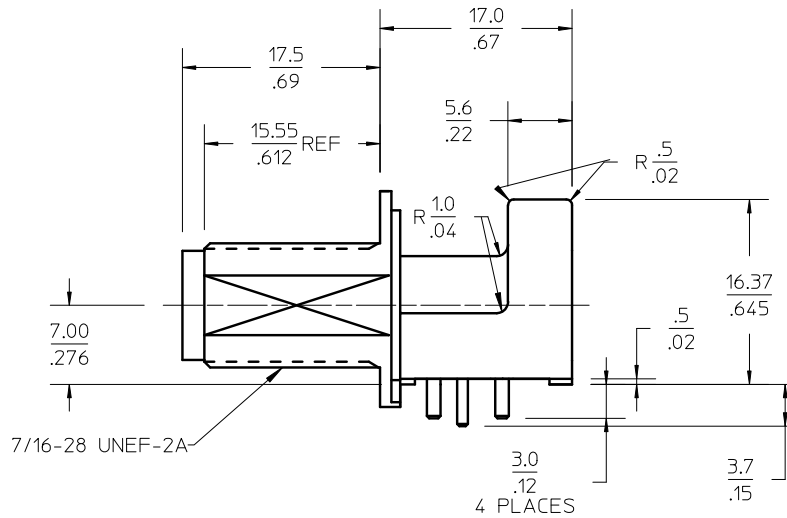
MATERIALS AND FINISHES:

BODY ZINC  
PLATED NICKEL

CENTER CONDUCTOR PHOSPHOR BRONZE  
& BRASS PLATED GOLD

INSULATORS TEFLON

MOUNTING POSTS BRASS  
PLATED TIN



PART #73216-0120

|                   |                            |
|-------------------|----------------------------|
| ES-73599-0000-002 | TNC INTERFACE STANDARD     |
| PS-89675-1430     | ELECTRO/MECH SPECIFICATION |
| SPECIFICATION     | DESCRIPTION                |

|   |                            |                 |
|---|----------------------------|-----------------|
| CHG: LOADED INTO<br>WORK MANAGER.<br>PLATING ON POSTS<br>WAS SN/PB. | EC NO: URF2005-0462        | QUALITY SYMBOLS |
|   | DRWN: ARBERTSON 2005/04/27 | ▽=0             |
|   | CHKD: SSAH 2005/04/27      | ∇=0             |
|   | APPR: JWIENER 2005/04/28   |                 |
| REV   | DESCRIPTION                |                 |

|  |             |
|--|-------------|
| GENERAL TOLERANCES<br>(UNLESS SPECIFIED)                   |             |
|  | mm INCH     |
| 4 PLACES   | ± --- ± --- |
| 3 PLACES   | ± --- ± --- |
| 2 PLACES   | ± --- ± --- |
| 1 PLACE  | ± --- ± --- |
| ANGULAR ±1/2°  |             |
| DRAFT WHERE APPLICABLE<br>MUST REMAIN<br>WITHIN DIMENSIONS |             |

|                          |            |
|--------------------------|------------|
| DIMENSION STYLE<br>MM/IN |            |
| DRAWN BY                 | DATE       |
| EDC                      | 1998/05/01 |
| CHECKED BY               | DATE       |
| DHG                      | 1998/05/26 |
| APPROVED BY              | DATE       |
| GMH                      | 1998/05/27 |
| MATERIAL NO.             |            |
| 732160120                |            |
| SIZE                     |            |
| A                        |            |

|  |                        |                           |
|--|------------------------|---------------------------|
| SCALE<br>---   | DESIGN UNITS<br>METRIC | THIRD ANGLE<br>PROJECTION |
| TITLE<br>TNC, JACK, R/A PCB<br>50 OHM<br>TNC-J/PCB   |                        |                           |
| MOLEX INCORPORATED   |                        |                           |
| MATERIAL NO.   | DOCUMENT NO.           | SHEET NO.                 |
| 732160120  | SD-73216-012           | 1 OF 1                    |
| THIS DRAWING CONTAINS INFORMATION THAT IS PROPRIETARY TO MOLEX<br>INCORPORATED AND SHOULD NOT BE USED WITHOUT WRITTEN PERMISSION |                        |                           |