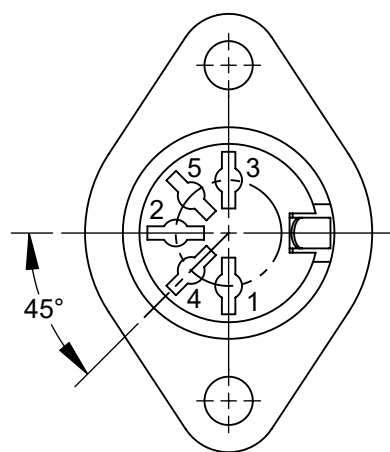
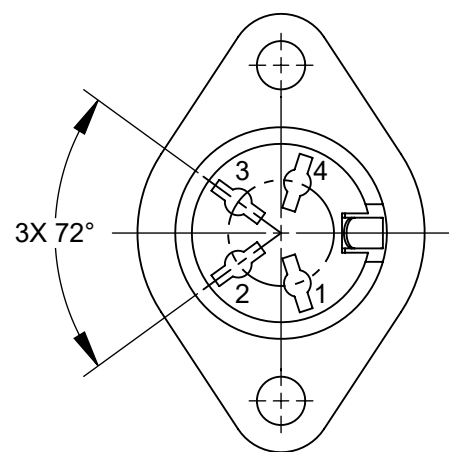


**57GB3FX**  
3 CONTACTS AT 180°



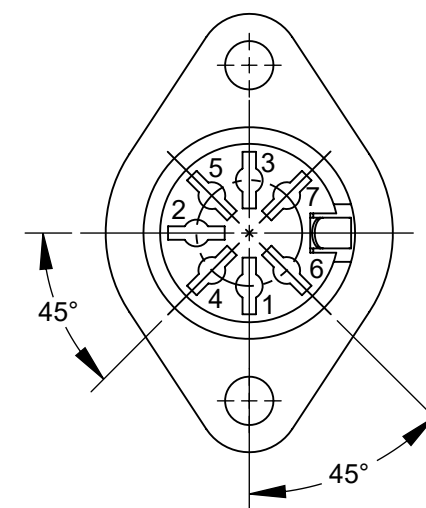
**57GB5FX**  
5 CONTACTS AT 180°



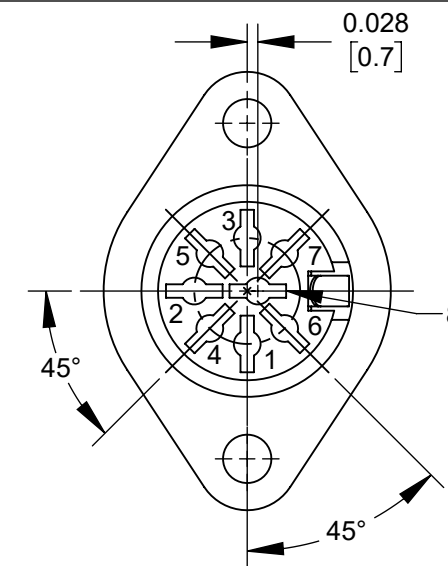
**60GB4FX**  
4 CONTACTS AT 216°

**6 CONTACT CONNECTOR**

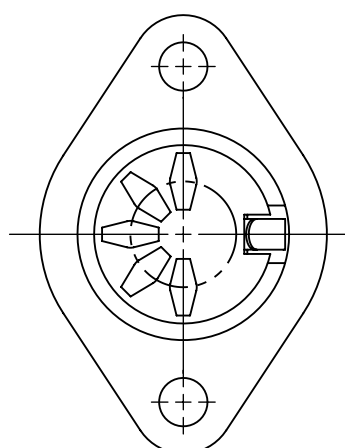
**NO LONGER AVAILABLE**



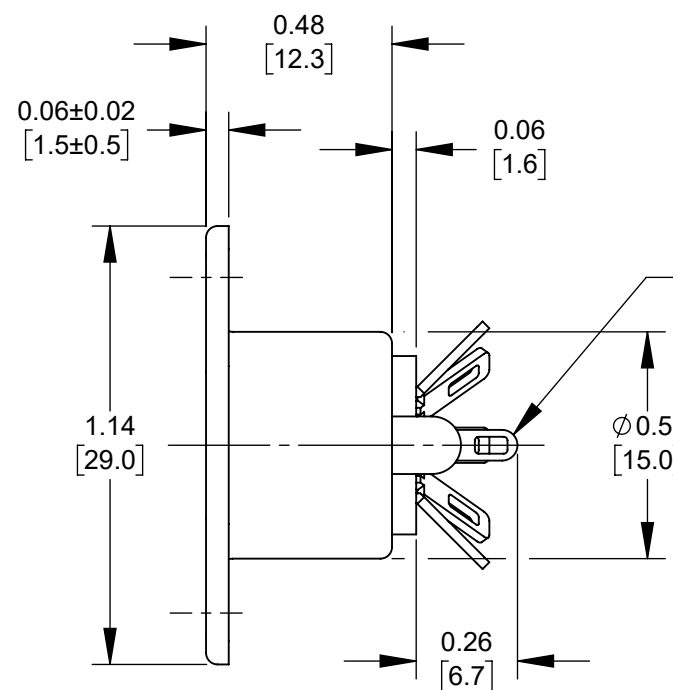
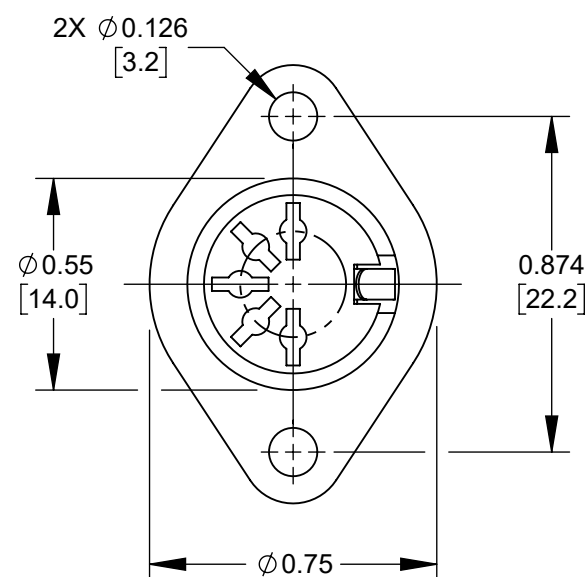
**61GB6FX**  
6 CONTACTS AT 240°



**62GB8FX**  
8 CONTACTS AT 270°

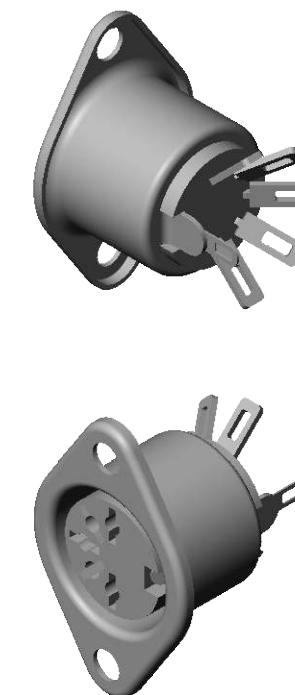


**ALTERNATE CONTACT HOLE STYLE**  
SEE NOTE 1



GROUND TERMINAL

Ø0.66 MAX FLARE FOR TERMINALS



**CUSTOMER DRAWING**

**NOTES:**

1. SHAPE & ORIENTATION OF CONTACT HOLE MAY VARY FOR ALL PART NUMBERS.
2. Ø0.03[0.7mm] X 0.06[1.4mm] MINIMUM SLOT IN TERMINALS FOR SOLDERING.
3. MATERIALS:  
HOUSING - DRAWN METAL, NICKEL PLATED  
INSERT - THERMOPLASTIC, BLACK  
TERMINALS - COPPER ALLOY, SILVER OR TIN PLATED
4. THESE PRODUCTS ARE RoHS COMPLIANT.

REV	ECO NUMBER	DATE	BY	APVD
C	28532	8/24/22	TJK	TJK
B	28011	3/14/18	TJK	TJK
A	26000	3/3/06	TJK	TJK

UNLESS OTHERWISE SPECIFIED

1. ALL DIMENSIONS IN INCHES
- TWO PLACE DECIMALS ±0.02
- THREE PLACE DECIMALS ±0.005

DO NOT SCALE DRAWING

THIS DRAWING DESCRIBES A DESIGN CONSIDERED PROPRIETARY IN NATURE, DEVELOPED AND MANUFACTURED BY SWITCHCRAFT INC. AND IS RELEASED ON A CONFIDENTIAL BASIS FOR IDENTIFICATION PURPOSES ONLY.

SIZE	WIDTH	MULT	LBS/M	TEMPER
FINISH				
SPEC No.			MATERIAL	
FIRST USED ON			SCALE	
			2:1	
DATE DRAWN	BY	CHKD	APVD	
2-20-06	TJK	TJK	TJK	
			2-20-06	
			3-1-06	
NAME			PART No.	
FEMALE DIN 3-8 PIN FLANGE MOUNTED RECEPTACLE, RoHS			57GB_FX, 60GB_FX, 61GB_FX & 62GB_FX SERIES	
				REV
				C

**Switchcraft**<sup>®</sup>

SHEET 1 OF 1

SolidWorks CAD File