

74F620 • 74F623 Inverting Octal Bus Transceiver with 3-STATE Outputs

General Description

These devices are octal bus transceivers designed for asynchronous two-way data flow between the A and B busses. Both busses are capable of sinking 64 mA and have 3-STATE outputs. Dual enable pins (GAB, $\overline{\text{GAB}}$) allow data transmission from the A bus to the B bus or from the B bus to the A bus. The 'F620 is an inverting option of the 'F623.

- Outputs sink 64 mA
- Dual enable inputs control direction of data flow
- Guaranteed 4000V minimum ESD protection
- 'F620 is an inverting option of the 'F623

Features

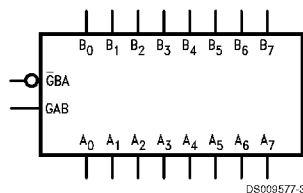
- Designed for asynchronous two-way data flow between busses

Ordering Code:

Commercial	Package Number	Package Description
74F620PC	N20A	20-Lead (0.300" Wide) Molded Dual-In-Line
74F623PC	N20A	20-Lead (0.300" Wide) Molded Dual-In-Line
74F623SC (Note 1)	M20B	20-Lead (0.300" Wide) Molded Small Outline, JEDEC

Note 1: Devices also available in 13" reel. Use suffix = SCX.

Logic Symbol

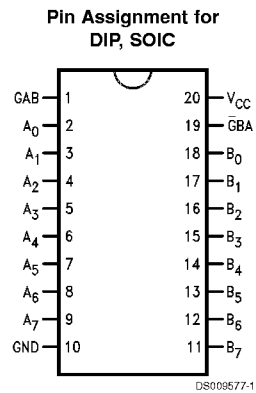


Unit Loading/Fan Out

Pin Names	Description	74F	
		U.L. HIGH/LOW	Input I_{IH}/I_{IL} Output I_{OH}/I_{OL}
$\overline{\text{GAB}}$, GAB	Enable Inputs	1.0/1.0	20 $\mu\text{A}/-0.6 \text{ mA}$
A_0-A_7	A Inputs or 3-STATE Outputs	3.5/1.083	70 $\mu\text{A}/-0.4 \text{ mA}$ -3 mA/64 mA
B_0-B_7	B Inputs or 3-STATE Outputs	3.5/1.083	70 $\mu\text{A}/-0.4 \text{ mA}$ -3 mA/64 mA

FAST® is a registered trademark of Fairchild Semiconductor Corporation

Connection Diagram



Functional Description

The enable inputs \overline{GAB} and \overline{GBA} control whether data is transmitted from the A bus to the B bus or from the B bus to the A bus. If both \overline{GBA} and \overline{GAB} are disabled (\overline{GBA} HIGH and \overline{GAB} low), the outputs are in the high impedance state and data is stored at the A and B busses. When \overline{GBA} is ac-

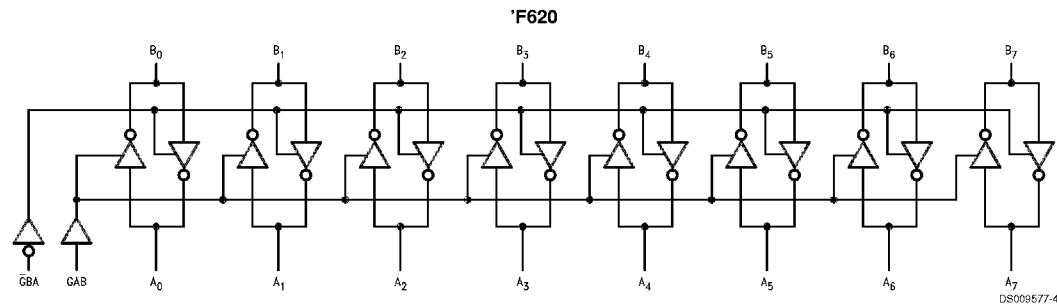
tive (LOW), B data is sent to the A bus. When \overline{GAB} is active (HIGH), data from the A bus is sent to the B bus. If both enable inputs are active (\overline{GBA} LOW and \overline{GAB} HIGH) B data is sent to the A bus while A data is sent to the B bus.

Function Table

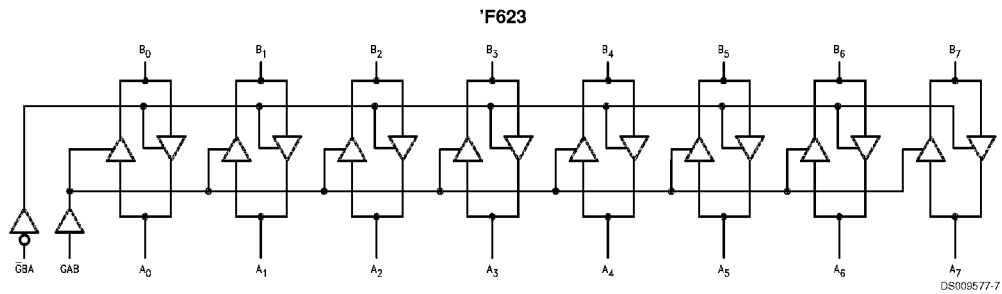
Enable Inputs		Operation	
\overline{GBA}	\overline{GAB}	'F620	'F623
L	L	\overline{B} Data to A Bus	B Data to A Bus
H	H	\overline{A} Data to B Bus	A Data to B Bus
H	L	Z	Z
L	H	\overline{B} Data to A Bus, \overline{A} Data to B Bus	B Data to A Bus, A Data to B Bus

H = HIGH Voltage Level
L = LOW Voltage Level
Z = High Impedance

Logic Diagram



Please note that this diagram is provided only for the understanding of logic operations and should not be used to estimate propagation delays.



Please note that this diagram is provided only for the understanding of logic operations and should not be used to estimate propagation delays.

Absolute Maximum Ratings (Note 2)

Storage Temperature	-65°C to +150°C
Ambient Temperature under Bias	-55°C to +125°C
Junction Temperature under Bias	-55°C to +175°C
Plastic	-55°C to +150°C
V _{CC} Pin Potential to Ground Pin	-0.5V to +7.0V
Input Voltage (Note 3)	-0.5V to +7.0V
Input Current (Note 3)	-30 mA to +5.0 mA
Voltage Applied to Output in HIGH State (with V _{CC} = 0V)	
Standard Output	-0.5V to V _{CC}
3-STATE Output	-0.5V to +5.5V
Current Applied to Output	

in LOW State (Max) twice the rated I_{OL} (mA)
ESD Last Passing Voltage (Min) 4000V

Recommended Operating Conditions

Free Air Ambient Temperature	
Commercial	0°C to +70°C
Supply Voltage	
Commercial	+4.5V to +5.5V

Note 2: Absolute maximum ratings are values beyond which the device may be damaged or have its useful life impaired. Functional operation under these conditions is not implied.

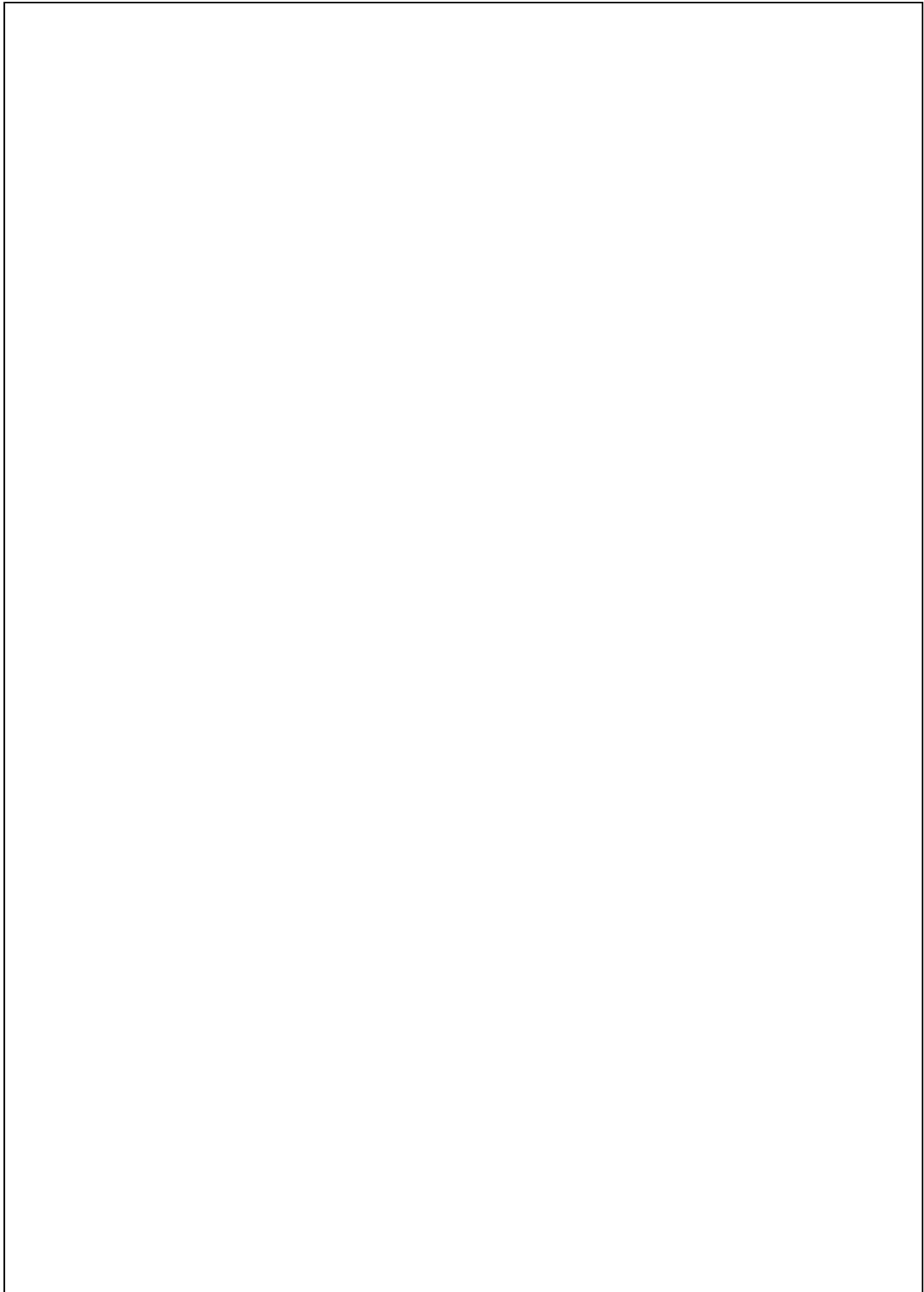
Note 3: Either voltage limit or current limit is sufficient to protect inputs.

DC Electrical Characteristics

Symbol	Parameter	74F			Units	V _{CC}	Conditions
		Min	Typ	Max			
V _{IH}	Input HIGH Voltage	2.0			V		Recognized as a HIGH Signal
V _{IL}	Input LOW Voltage			0.8	V		Recognized as a LOW Signal
V _{CD}	Input Clamp Diode Voltage			-1.2	V	Min	I _{IN} = -18 mA (Non I/O Pins)
V _{OH}	Output HIGH Voltage	74F 10% V _{CC}	2.0		V	Min	I _{OH} = -15 mA (A _n , B _n)
V _{OL}	Output LOW Voltage	74F 10% V _{CC}		0.55	V	Min	I _{OL} = 64 mA (A _n , B _n)
I _{IH}	Input HIGH Current	74F		5.0	μA	Max	V _{IN} = 2.7V
I _{BVI}	Input HIGH Current Breakdown Test	74F		7.0	μA	Max	V _{IN} = 7.0V (GBA, GAB)
I _{BVIT}	Input HIGH Current Breakdown (I/O)	74F		0.5	mA	Max	V _{IN} = 5.5V (A _n , B _n)
I _{CEX}	Output HIGH Leakage Current	74F		50	μA	Max	V _{OUT} = V _{CC}
V _{ID}	Input Leakage Test	74F	4.75		V	0.0	I _{ID} = 1.9 μA All Other Pins Grounded
I _{OD}	Output Leakage Circuit Current	74F		3.75	μA	0.0	V _{IOD} = 150 mV All Other Pins Grounded
I _{IL}	Input LOW Current			-0.6	mA	Max	V _{IN} = 0.5V (Non I/O Pins)
I _{IH} + I _{OZH}	Output Leakage Current			70	μA	Max	V _{OUT} = 2.7V (A _n , B _n)
I _{IL} + I _{OZL}	Output Leakage Current			-650	μA	Max	V _{OUT} = 0.5V (A _n , B _n)
I _{OS}	Output Short-Circuit Current		-100	-225	mA	Max	V _{OUT} = 0V
I _{ZZ}	Bus Drainage Test			500	μA	0.0V	V _{OUT} = 5.25V
I _{CCH}	Power Supply Current ('F620)			82	mA	Max	V _O = HIGH, V _{IN} = 0.2V
I _{CCL}	Power Supply Current ('F620)			82	mA	Max	V _O = LOW
I _{CCZ}	Power Supply Current ('F620)			95	mA	Max	V _O = HIGH Z
I _{CCH}	Power Supply Current ('F623)			65	mA	Max	V _O = HIGH
I _{CCL}	Power Supply Current ('F623)			82	mA	Max	V _O = LOW, V _{IN} = 0.2V
I _{CCZ}	Power Supply Current ('F623)			85	mA	Max	V _O = HIGH Z

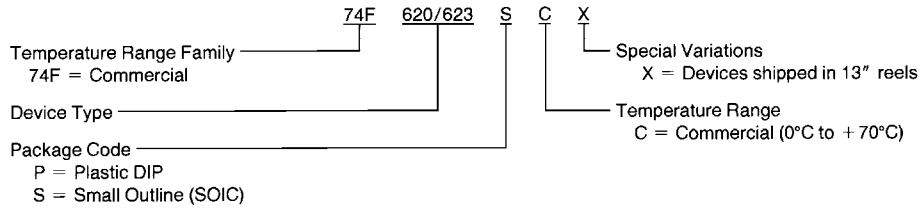
AC Electrical Characteristics

Symbol	Parameter	74F			74F		Units
		T _A = +25°C V _{CC} = +5.0V C _L = 50 pF			T _A , V _{CC} = Com C _L = 50 pF		
		Min	Typ	Max	Min	Max	
t _{PLH}	Propagation Delay	2.5		7.5	2.0	8.0	ns
t _{PHL}	A Input to B Output ('F620)	2.0		7.0	2.0	7.0	
t _{PLH}	Propagation Delay	2.5		7.5	2.0	8.0	ns
t _{PHL}	B Input to A Output ('F620)	2.0		7.0	2.0	7.0	
t _{PLH}	Propagation Delay	1.5		6.5	1.5	7.5	ns
t _{PHL}	A Input to B Output ('F623)	2.0		7.0	2.0	7.5	
t _{PLH}	Propagation Delay	1.5		6.5	1.5	7.5	ns
t _{PHL}	B Input to A Output ('F623)	2.0		7.0	2.0	7.5	
t _{PZH}	Enable Time	2.0		7.0	2.0	8.0	ns
t _{PZL}	$\overline{\text{G}}\text{BA}$ Input to A Output	2.5		8.0	2.0	8.5	
t _{PHZ}	Disable Time	1.5		6.5	1.5	7.5	
t _{PLZ}	$\overline{\text{G}}\text{BA}$ Input to A Output	1.0		5.5	1.0	5.5	ns
t _{PZH}	Enable Time	2.0		7.5	2.0	8.5	
t _{PZL}	GAB Input to B Output ('F620)	3.0		8.0	2.0	8.5	
t _{PHZ}	Disable Time	2.5		8.0	2.0	9.0	ns
t _{PLZ}	GAB Input to B Output ('F620)	2.0		7.5	2.0	8.0	
t _{PZH}	Enable Time	2.0		7.5	2.0	8.5	
t _{PZL}	GAB Input to B Output ('F623)	2.5		8.0	2.0	8.5	ns
t _{PHZ}	Disable Time	2.0		8.0	2.0	9.0	
t _{PLZ}	GAB Input to B Output ('F623)	2.0		8.0	2.0	8.0	



Ordering Information

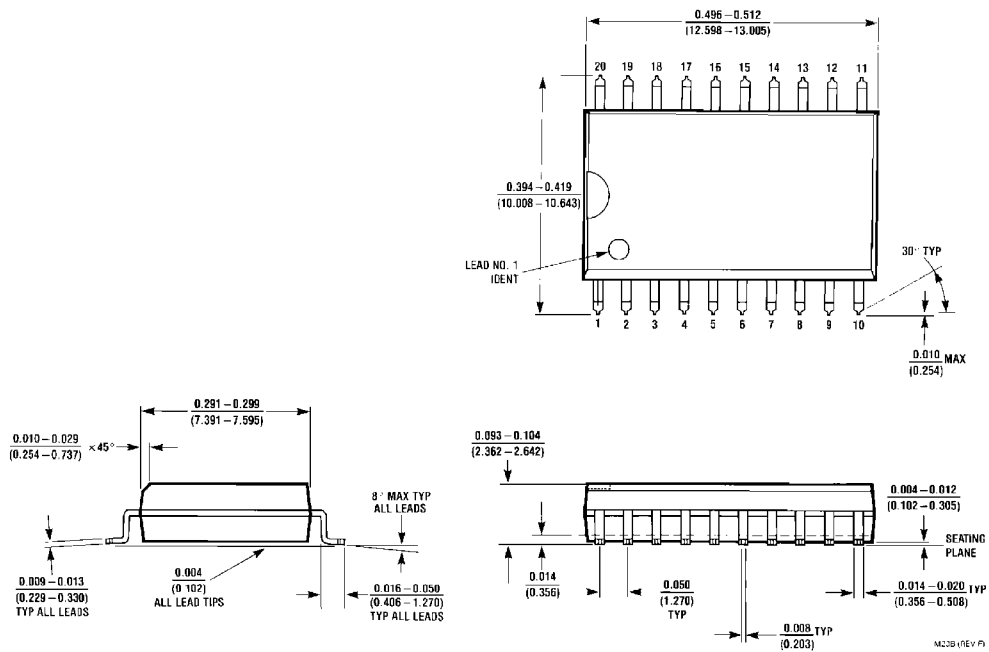
The device number is used to form part of a simplified purchasing code where a package type and temperature range are defined as follows:



DS009577-9

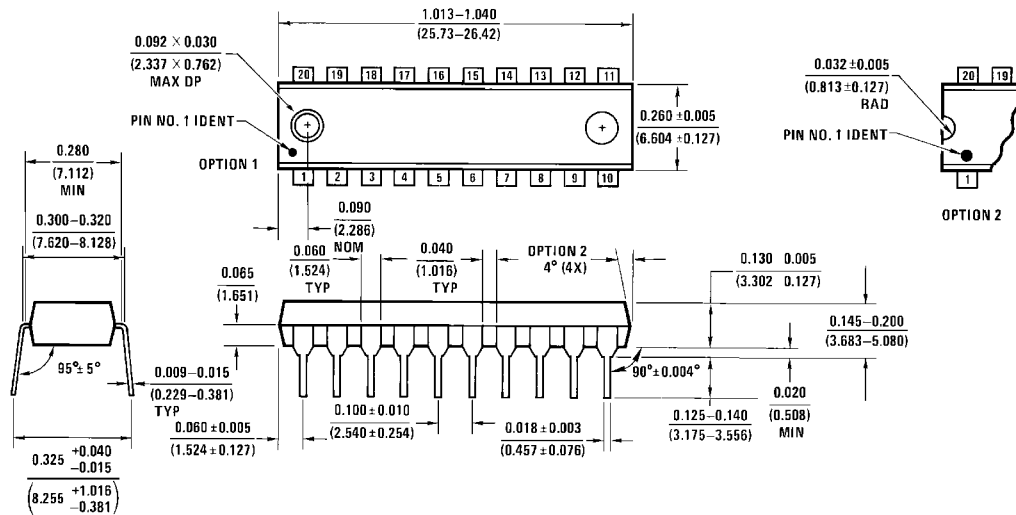
Physical Dimensions

inches (millimeters) unless otherwise noted



**20-Lead (0.300" Wide) Molded Small Outline Package, JEDEC (S)
Package Number M20B**

Physical Dimensions inches (millimeters) unless otherwise noted (Continued)



**20-Lead (0.300" Wide) Molded Dual-In-Line Package (P)
Package Number N20A**

LIFE SUPPORT POLICY

FAIRCHILD'S PRODUCTS ARE NOT AUTHORIZED FOR USE AS CRITICAL COMPONENTS IN LIFE SUPPORT DEVICES OR SYSTEMS WITHOUT THE EXPRESS WRITTEN APPROVAL OF THE PRESIDENT OF FAIRCHILD SEMICONDUCTOR CORPORATION. As used herein:

1. Life support devices or systems are devices or systems which, (a) are intended for surgical implant into the body, or (b) support or sustain life, and (c) whose failure to perform when properly used in accordance with instructions for use provided in the labeling, can be reasonably expected to result in a significant injury to the user.
2. A critical component in any component of a life support device or system whose failure to perform can be reasonably expected to cause the failure of the life support device or system, or to affect its safety or effectiveness.

Fairchild Semiconductor Corporation
Americas
Customer Response Center
Tel: 1-888-522-5372

Fairchild Semiconductor Europe
Fax: +49 (0) 1 80-530 85 86
Email: europe.support@nsc.com
Deutsch Tel: +49 (0) 8 141-35-0
English Tel: +44 (0) 1 793-85-68-56
Italy Tel: +39 (0) 2 57 5631

Fairchild Semiconductor Hong Kong Ltd.
13th Floor, Straight Block,
Ocean Centre, 5 Canton Rd.
Tsimshatsui, Kowloon
Hong Kong
Tel: +852 2737-7200
Fax: +852 2314-0061

National Semiconductor Japan Ltd.
Tel: 81-3-5620-6175
Fax: 81-3-5620-6179

www.fairchildsemi.com