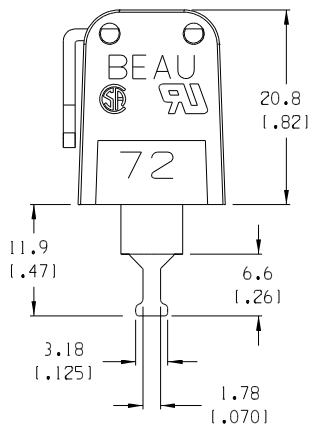
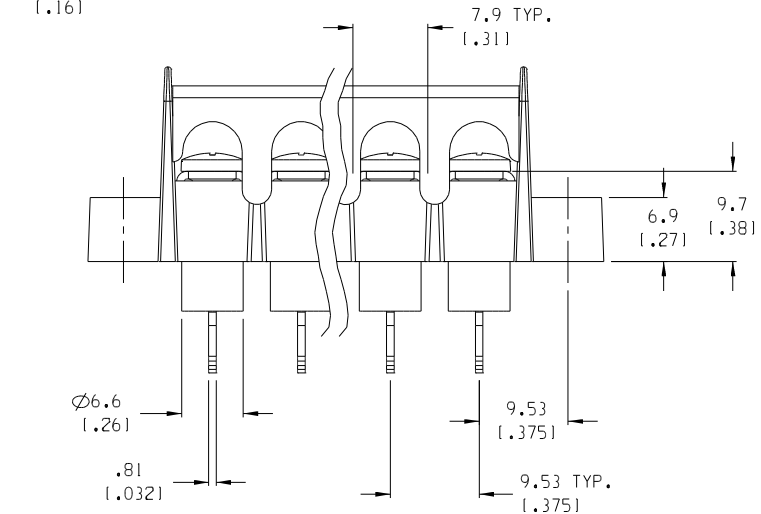


4 CIRCUIT SHOWN

NOTES:

- 1. MATERIAL: SEE TABLE
- 2. FINISHES: SEE TABLE
- 3. PRODUCT SPECIFICATION: NOT REQUIRED
- 4. PACKAGING: NOT REQUIRED
- 5. MATES WITH: NONE
- 6. "XX" REFERS TO THE QUANTITY OF CIRCUIT POSITIONS.



QTY. OF CIRC. "XX"	DIM. "A"	DIM. "B"	DIM. "C"	DIM. "D"	ASSEMBLY MATERIAL #
02	36.2 (1.43)	9.5 1.381	28.6 (1.13)	21.1 1.831	38729-0353
03	45.7 (1.80)	19.1 1.751	38.1 (1.50)	30.7 11.211	38729-1434
04	55.2 (2.18)	28.6 11.131	47.6 (1.88)	40.2 11.581	38729-1068
05	64.8 (2.55)	38.1 11.501	57.2 (2.25)	49.7 11.961	38729-1279
06	74.3 (2.93)	47.6 11.881	66.7 (2.63)	59.2 12.331	38729-1014
07	83.8 (3.30)	57.2 (2.25)	76.2 (3.00)	68.8 12.711	38729-0427
08	93.3 (3.68)	66.7 (2.63)	85.7 (3.38)	78.3 13.081	-
09	102.9 (4.05)	76.2 (3.00)	95.3 (3.75)	87.8 13.461	-
10	112.4 (4.43)	85.7 (3.38)	104.8 (4.13)	97.3 13.831	-
11	121.9 (4.80)	95.3 (3.75)	114.3 (4.50)	106.9 14.211	-
12	131.4 (5.18)	104.8 (4.13)	123.8 (4.88)	116.4 14.581	-
13	141.0 (5.55)	114.3 (4.50)	133.4 (5.25)	125.9 14.961	-
14	150.5 (5.93)	123.8 (4.88)	142.9 (5.63)	135.4 15.331	-
15	160.0 (6.30)	133.4 (5.25)	152.4 (6.00)	145.0 15.711	-
16	169.5 (6.68)	142.9 (5.63)	161.9 (6.38)	154.5 16.081	-

ITEM	QTY.	DESCRIPTION	MATERIAL	FINISH
4	XX	#6-32 PHIL-SLOT SCREW	STEEL	ZN, CLEAR CHROMATE
3	XX	TERMINAL, SOLDER TAIL	BRASS	TIN PLATE
2	1	COVER, HINGED	THERMOPLASTIC	BLACK
1	1	INSULATOR, CS, INSL., MOLDED MTG.	THERMOPLASTIC	BLACK

EC NO. : DRAWN : CH'K' : APPR : A	MAJOR : CRITICAL : SPC : S :	GENERAL TOLERANCES: (UNLESS SPECIFIED)		SCALE : 2:1	DESIGN UNITS : <input type="checkbox"/> mm <input checked="" type="checkbox"/> INCH	THIRD ANGLE PROJECTION	PROJECT NO. : -	DIMENSIONS : <input checked="" type="checkbox"/> mm <input type="checkbox"/> INCH <input type="checkbox"/> mm ONLY	SHT : REV :
		4 PLACES ±.0015 3 PLACES ±.038 ±.005 2 PLACES ±.13 ±.01 1 PLACE ±.3	ANGULAR : ±2°	DRAWN BY & DATE : C. YORK 09-30-04	TITLE : SR BTS, CS INSL, MOLDED MTG. ENDS W/ HINGED COVER				
DRAFT WHERE APPLICABLE MUST REMAIN WITHIN DIMENSIONS				CAD FILENAME : 72R2XX-H	MATERIAL NO. : SEE CHART	DRAWING NO. : SD-38729-033	SHEET NO. : 1 OF 1	THIS DRAWING CONTAINS INFORMATION THAT IS PROPRIETARY TO MOLEX INCORPORATED AND SHOULD NOT BE USED WITHOUT WRITTEN PERMISSION.	



SIZE B