

THIS DRAWING IS UNPUBLISHED. VERTRÄGLICHE UNVERÖFFENTLICHTE ZEICHNUNG. 2014. RELEASED FOR PUBLICATION FREI FÜR VERÖFFENTLICHUNG. 2014. MATED WITH: PASSEND ZU: ALL RIGHTS RESERVED. ALLE RECHTE VORBEHALTEN.

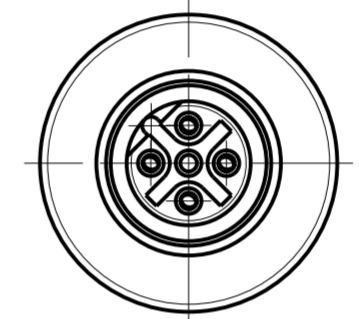
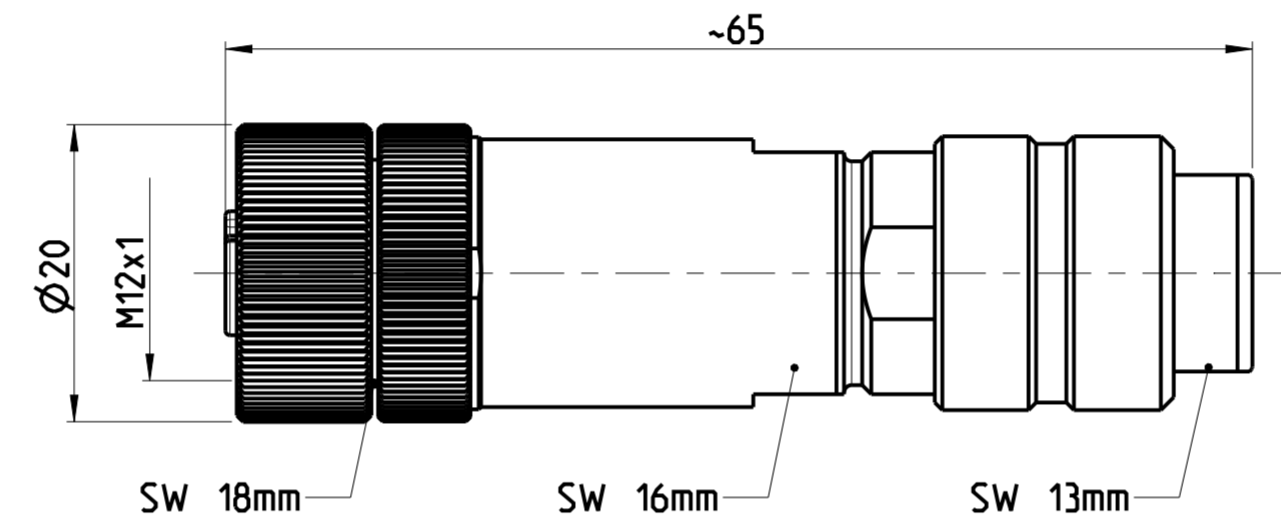
PROJECT NO.: PRJ-14-00000805

P		LTR	REVISIONS ÄNDERUNGEN	DATE	DWH	APVD
			DESCRIPTION BESCHREIBUNG			
	A3		DESCRIPTION CORRECTED FROM SOLDER TO SCREW TERMINAL IN TITLE BLOCK	14NOV2014	CR	JK

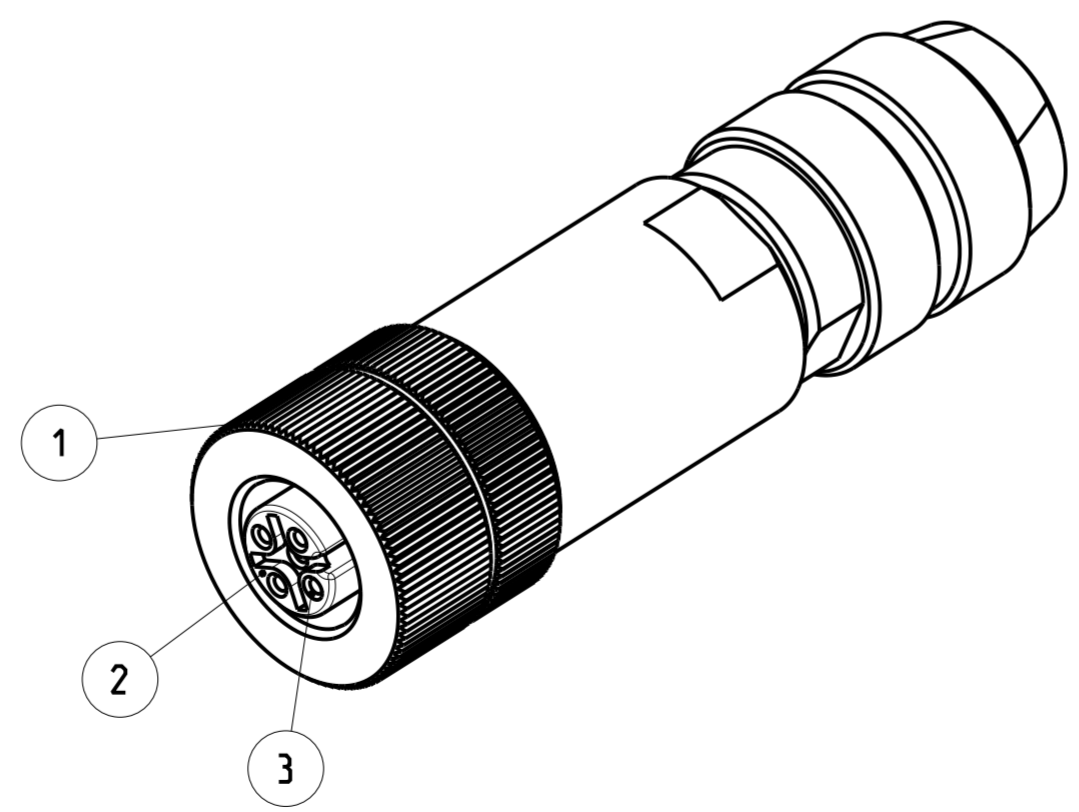
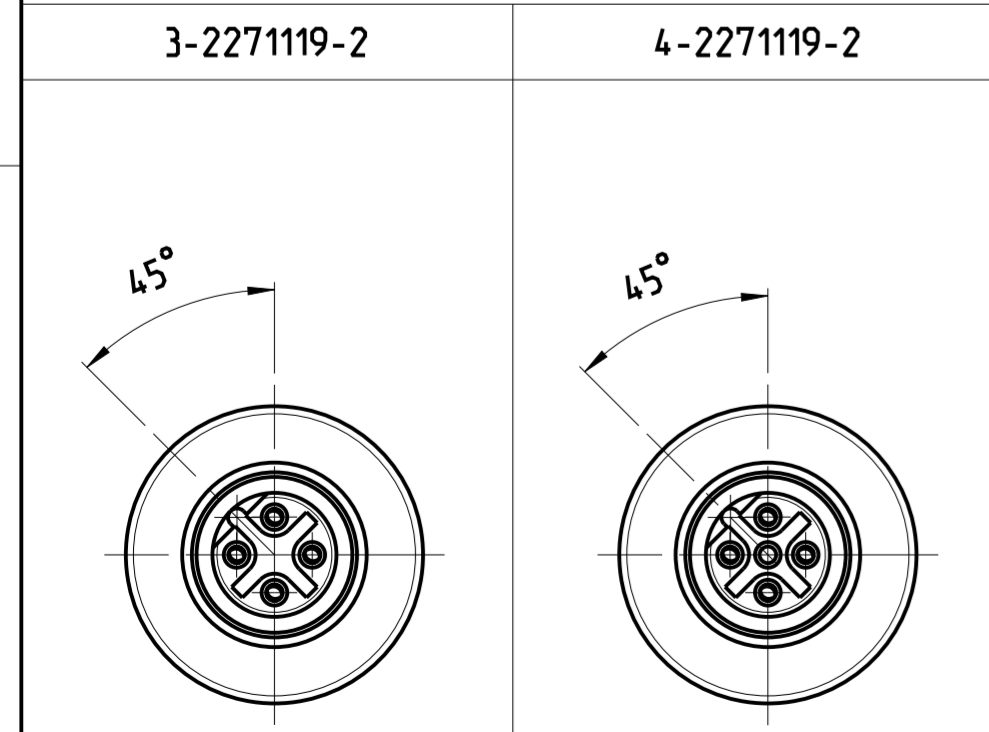
- ⚠ MATERIAL: ITEM NO. 1: HOUSING - ZINC DIECASTING, NICKEL PLATED
 ITEM NO. 2: CONTACT BODY - PA
 ITEM NO. 3: CONTACT - CuZn (brass)
 CONTACT FINISH - Au (gold)

- 2 ALL DIMENSIONS ARE FOR NOMINAL REFERENCE ONLY UNLESS OTHERWISE STATED
 3 MEASUREMENT REFERENCE ONLY
 4 PACKAGING: 1 PIECE IN A BAG

TECHNICAL DATA	3-2271119-2	4-2271119-2
RATED VOLTAGE	250V	125V
RATED IMPULSE VOLTAGE	2500V	1500V
POLLUTION DEGREE	3	3
OVERVOLTAGE CATEGORY	II	II
MATERIAL GROUP	II	II
RATED CURRENT	4A	4A
VOLUME RESISTIVITY	≤3mΩ	≤3mΩ
DEGREE OF PROTECTION	IP67	IP67
UPPER TEMPERATURE	+85 °C	+85 °C
LOWER TEMPERATURE	-40 °C	-40 °C



PIN ARRANGEMENT
B-CODING (SCALE 2:1)



3--2 AS SHOWN
WIE GEZEICHNET

5-8	18 / 0.75mm ²	⚠	5	4-2271119-2
5-8	18 / 0.75mm ²	⚠	4	3-2271119-2
CABLE FEED-THROUGH mm	WIRES AWG / mm ²	MATERIAL	NUMBER OF POLES	TE-PART-NO.

DIESE ZEICHNUNG IST EIN KONTROLLIERTES DOKUMENT. BEMASSUNGEN UND TOLERANZEN GEMAESS GPS (ISO STANDARDS).
 THIS DRAWING IS A CONTROLLED DOCUMENT. DIMENSIONING AND TOLERANCING PER GPS (ISO STANDARDS).

DIMENSIONS: MASSE/MASSSTAB: [mm]	TOLERANCES UNLESS OTHERWISE SPECIFIED: ALLGEMEINTOLERANZEN	DWH YASHKUMAR 21MAY2014 CHK M.STRELOW 21MAY2014 APVD C.SCHREITLINGER 21MAY2014	NAME
0 PLC ± 1 PLC ± 2 PLC ± 3 PLC ± 4 PLC ±	ANGLES/WINKEL ± FINISH/OBERFLÄCHE/FARBE	PRODUCT SPEC 108-19483 APPLICATION SPEC 114-32127	M12 RECEPTACLE, STRAIGHT, FIELD INSTALLABLE, SHIELDED CONNECTOR, SCREW TERMINALS, B-CODING
MATERIAL	WEIGHT GEWICHT	SIZE A2 CAGE CODE 00779 DRAWING NO. C-2271119	RESTRICTED TO NUR FÜR
-	-	Customer Drawing	SCALE MASSSTAB 2:1 SHEET BLATT 1 OF 1 REV A3

STE TE Connectivity

SIZE ISO 14405 (E)