

4

3

2

1

THIS DRAWING IS UNPUBLISHED.

RELEASED FOR PUBLICATION

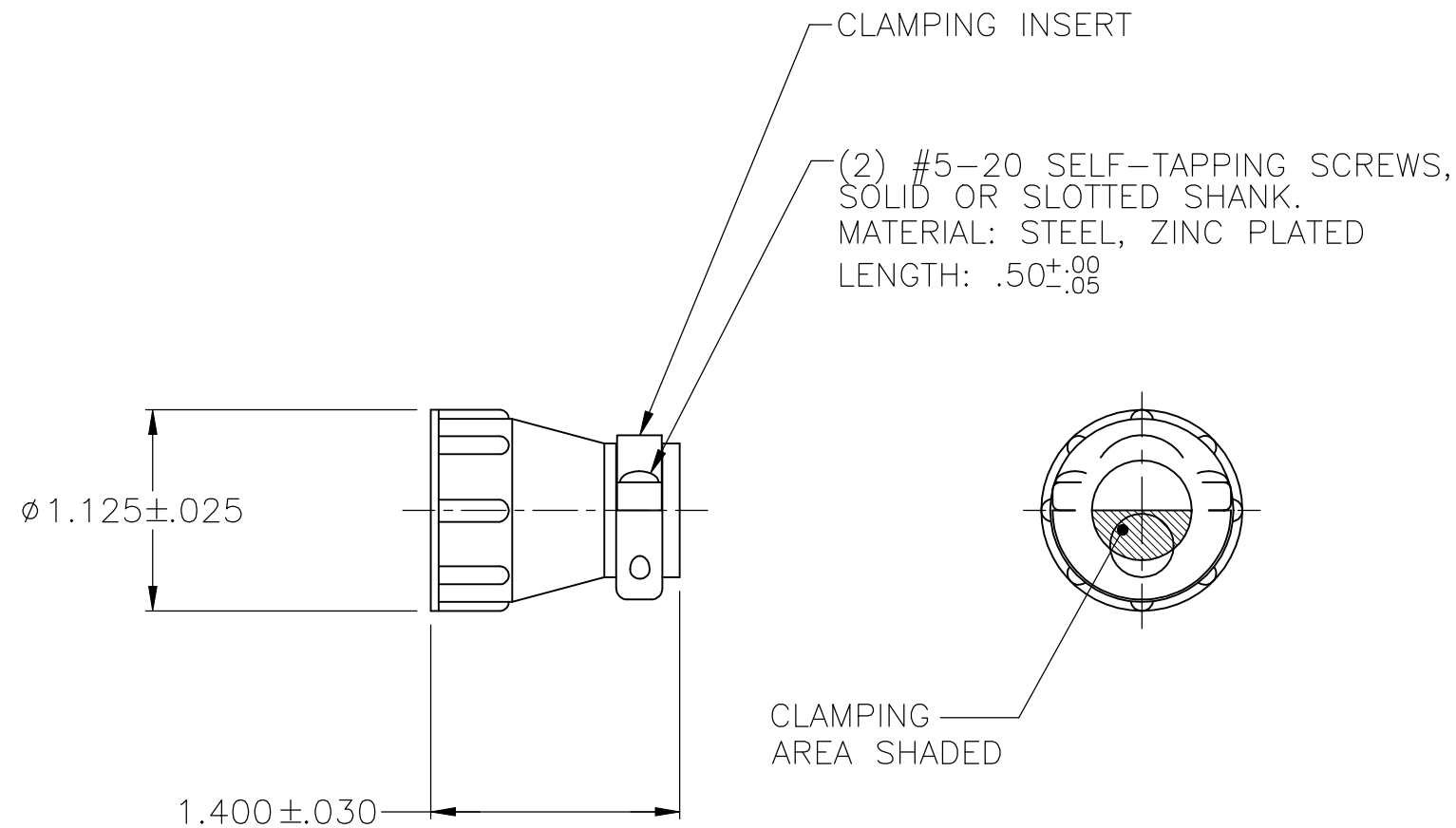
REVISIONS

© COPYRIGHT - By -

ALL RIGHTS RESERVED.

P	LTR	DESCRIPTION	DATE	DWN	APVD
	1	NEW DRAWING	24JAN2017	BDA	MZ
	A	REVISED PER ECO-19-003208	05MAR2019	RS	MZ

- 1 PART PACKAGED UNASSEMBLED.
- 2 CABLE CLAMPING AREA ADJUSTABLE FROM .010 TO .161 SQ IN BY REVERSING CLAMPING INSERTS. (2 INSERTS SUPPLIED)
- 3 .453 MAXIMUM CABLE OUTSIDE DIAMETER.
- 4 HOUSINGS MADE FROM MATERIAL RATED F1 FOR OUTDOOR SUITABILITY PER UL 746C.



INDIVIDUAL	2267394-1
PACKAGING	PART NUMBER

THIS DRAWING IS A CONTROLLED DOCUMENT.		DWN	24JAN2017	STE TE Connectivity	
		BASAVARAJA D A			
DIMENSIONS: INCHES		CHK	24JAN2017	NAME CPC SHELL SIZE 17 STANDARD CABLE CLAMP KIT, UV RESISTANT	
		ZITTO MARK			
TOLERANCES UNLESS OTHERWISE SPECIFIED:		APVD	24JAN2017	PRODUCT SPEC 108-10024	
		ZITTO MARK			
0 PLC ± -		APPLICATION SPEC		SIZE A3	
1 PLC ± -		-			
2 PLC ± -		WEIGHT		DRAWING NO C-2267394	
3 PLC ± -		-			
4 PLC ± -		CUSTOMER DRAWING		SCALE NTS	
ANGLES ± -					
MATERIAL THERMOPLASTIC				REV A	
FINISH -					