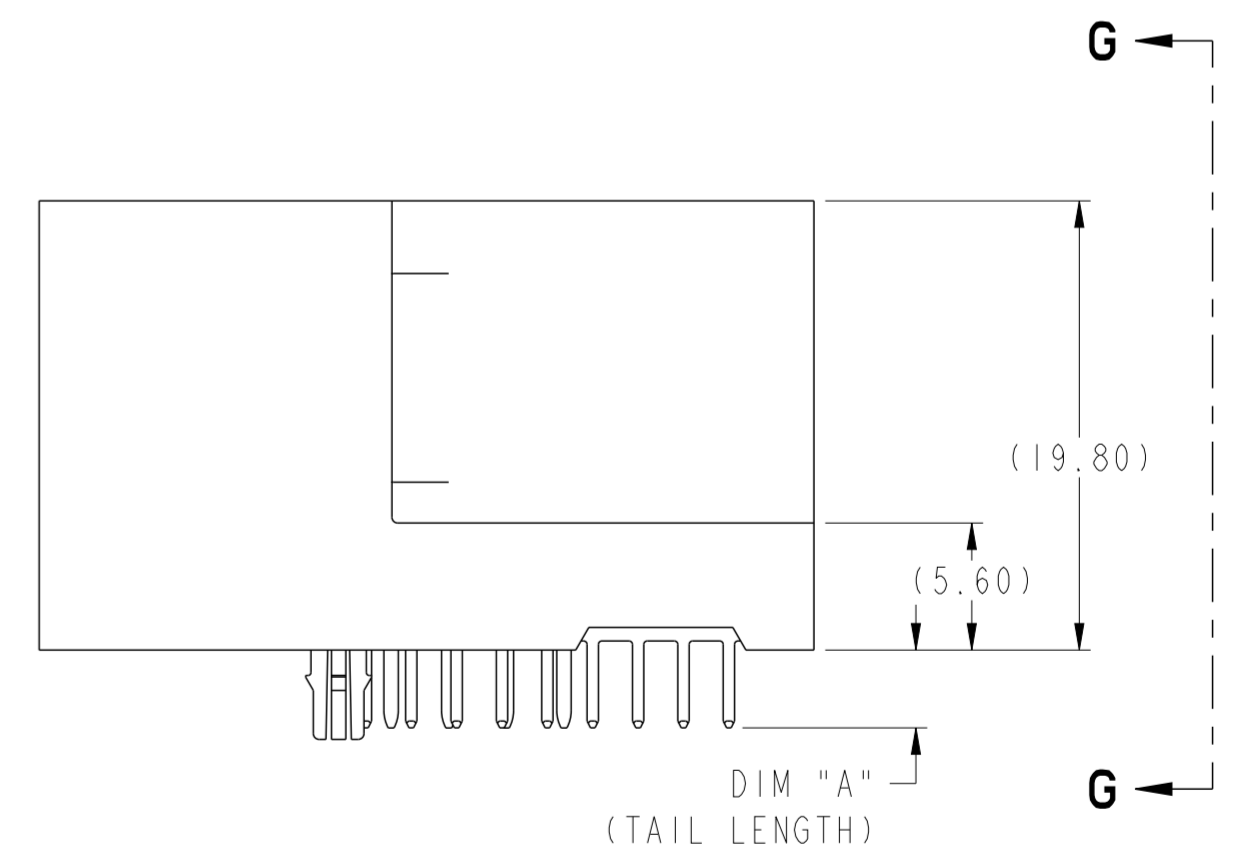
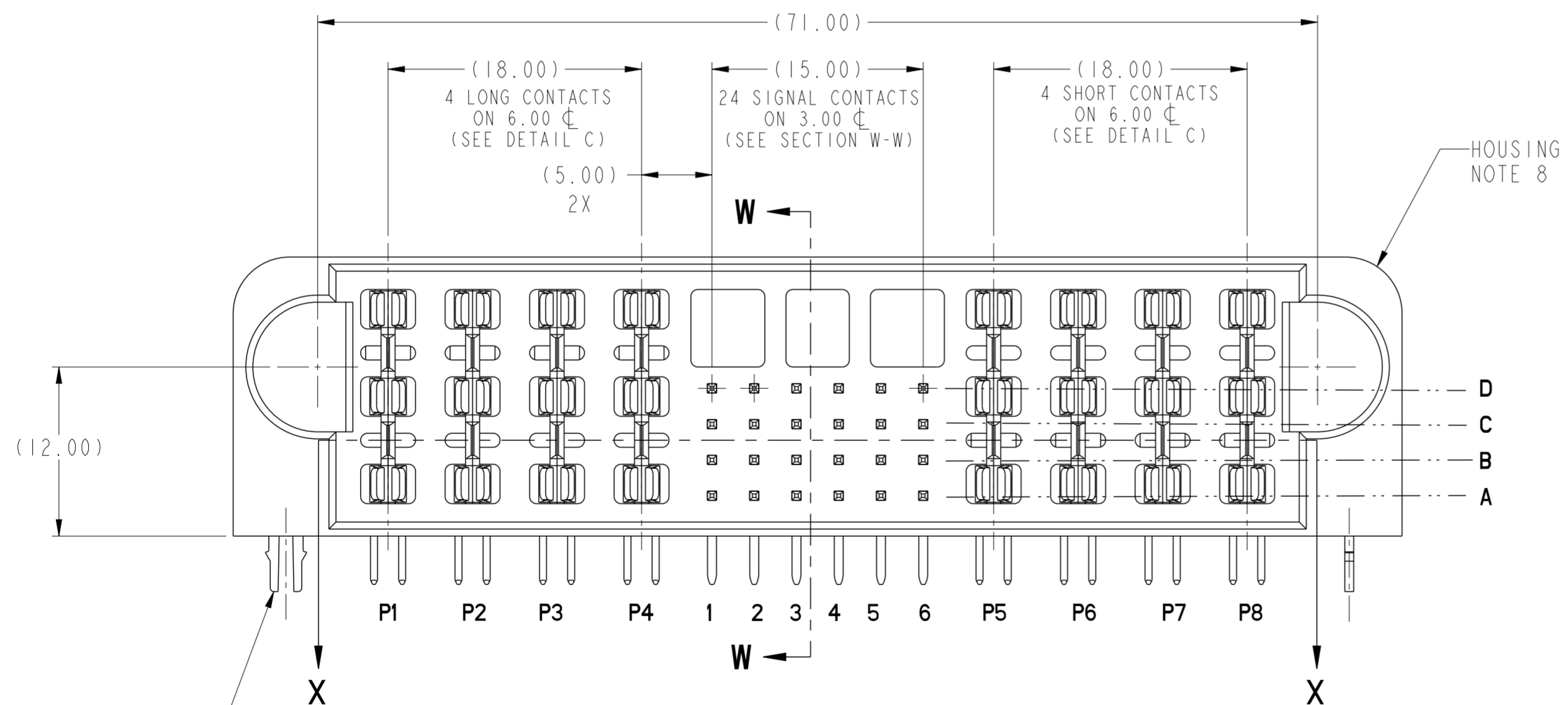
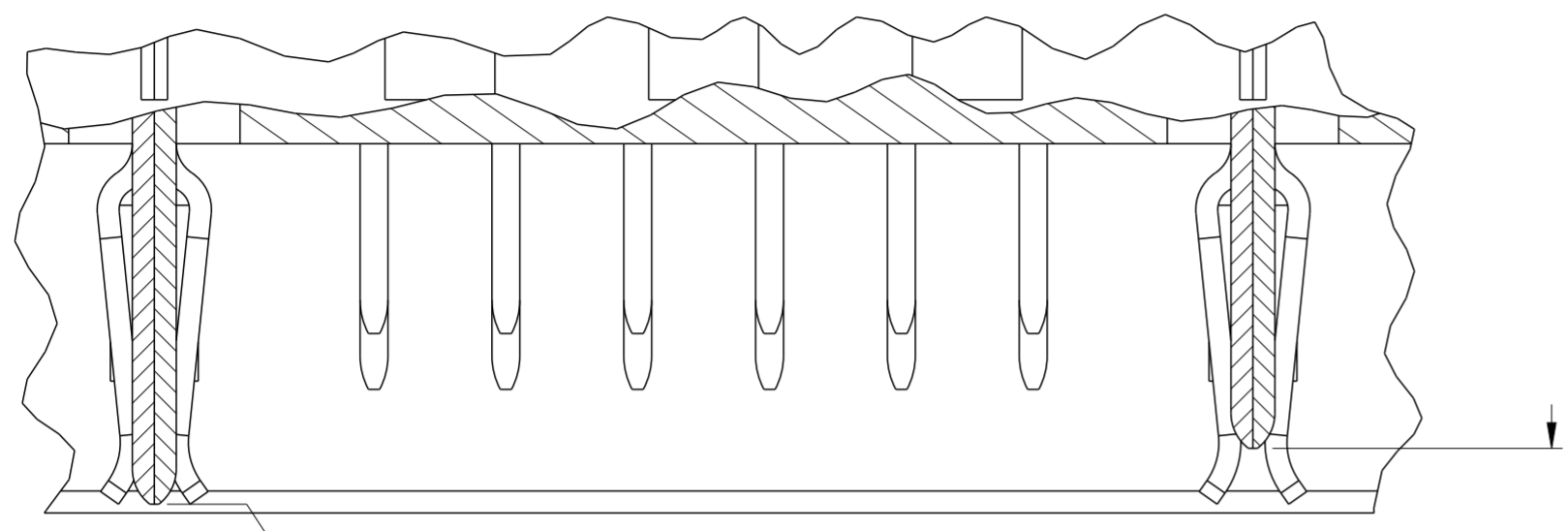


SECTION X-X SEE DETAIL C

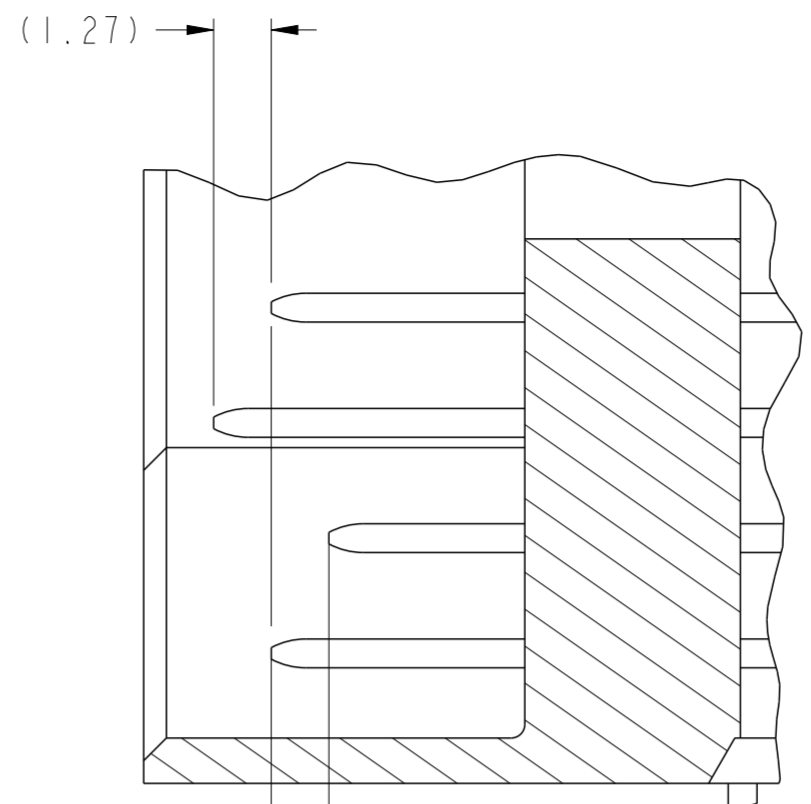


RETENTION CLIPS
OPTIONAL
(SEE P/N TABLE)

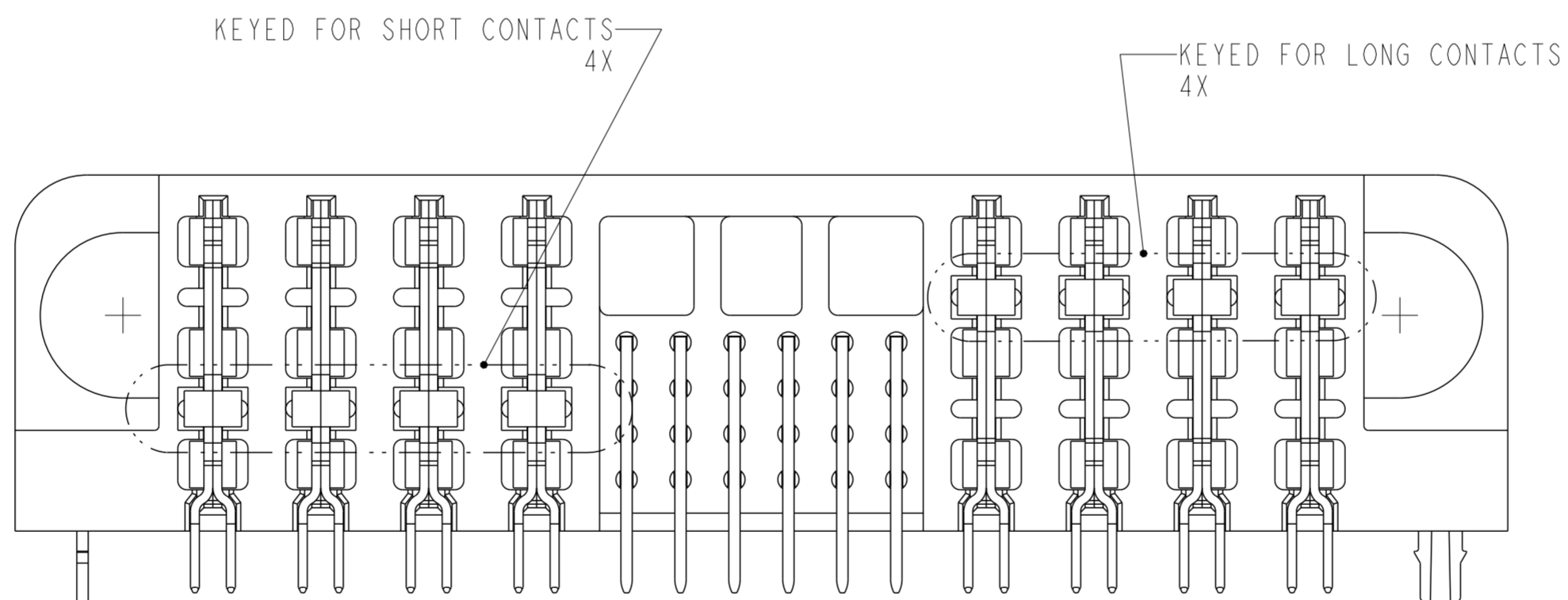
spec ref	-	dr	NotFound DuWa	2010/04/28	projection	MM	size	A2	scale	3:1
tolerance std	ASME Y14.5	eng	De-Ming Lu	2014/12/27			ecn no	ELX-DG-19849-1		
TOLERANCES UNLESS OTHERWISE SPECIFIED		chr	-	rel level				Released		
surface	ASME Y14.5	appr	Pei-Ming Zheng	2014/12/29	product family	HCI	rel level	Blue		
linear	0.X ±0.5 0.XX ±0.25 0.XXX ±0.10	title	R/A HDR ASSY 4P+24S+4P HCI POWER CONNECTOR		dwg no	10077213		rev	B	
angular	0° ±2°	www.fci.com	cat. no.	-	Product - Customer Drw	sheet 1 of 5				



DETAIL C
SCALE 6:1
 POWER MATING
 SEQUENCE



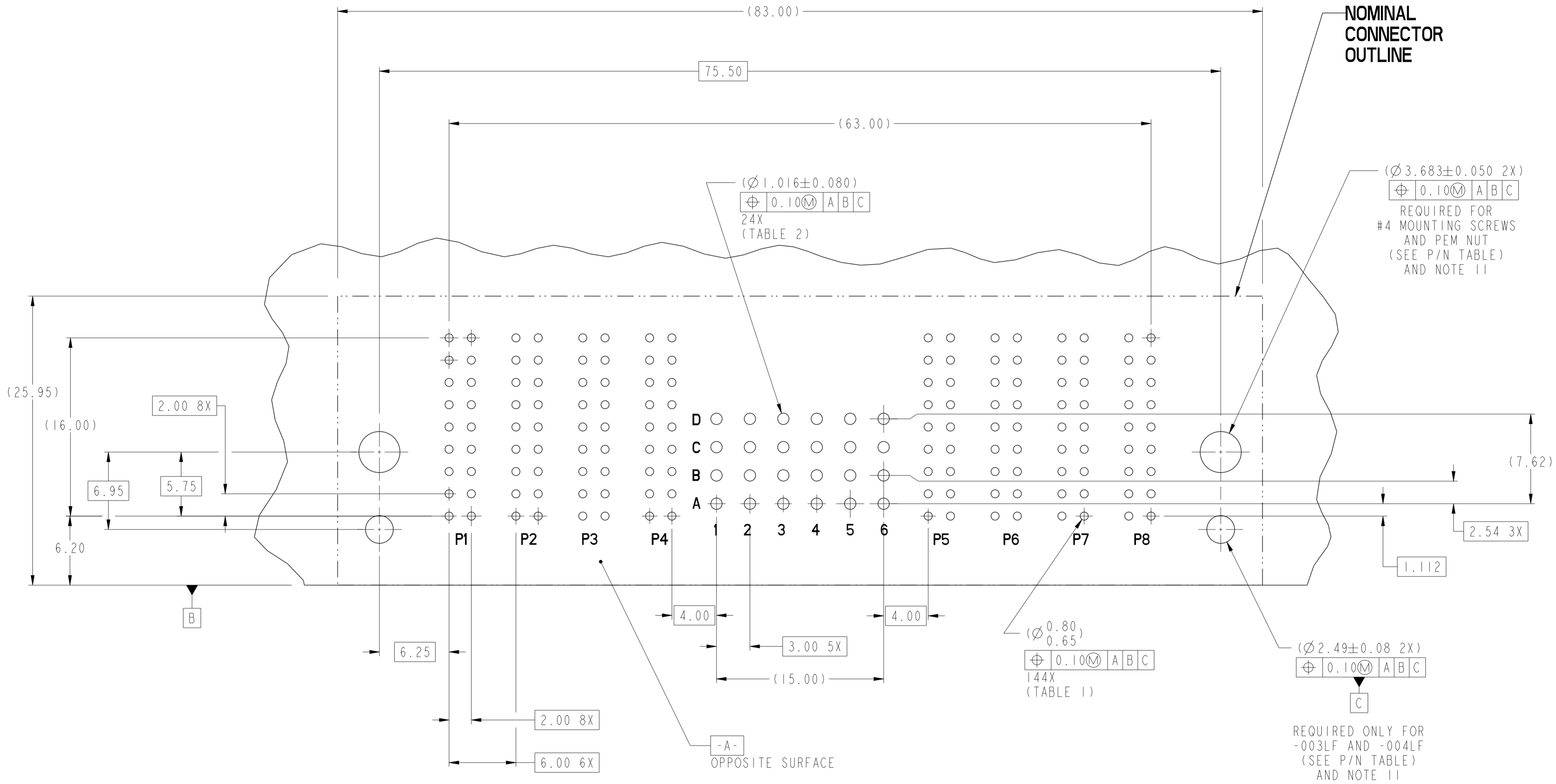
SECTION W-W
SCALE 6:1
 SIGNAL MATING
 SEQUENCE



VIEW G-G

dr	NotFound DuWa	2010/04/28	projection	MM	size	A2	scale	3:1
eng	De-Ming Lu	2014/12/27			ecn no	ELX-DG-19849-1	rel level	Released
chr	-	-						
appr	Pei-Ming Zheng	2014/12/29	product family	HCI				
		title R/A HDR ASSY 4P+24S+4P HCI POWER CONNECTOR	dwg no 10077213	rev B				
www.fci.com		cat. no.	Product - Customer Drw		sheet 2 of 5			





RECOMMENDED PCB LAYOUT COMPONENT SIDE

NOTE 6

dr	Not Found DuWa	2010/04/28	projection	MM	size	A2	scale	4:1
eng	De-Ming Lu	2014/12/27			ecn no	ELX-DG-19849-1		
chr	-	-			rel level	Released		
appr	Pei-Ming Zheng	2014/12/29	product family	-	rel level	Released		
		title R/A HDR ASSY 4P+24S+4P HCI POWER CONNECTOR	dwg no 10077213	rev B				
www.fci.com		cat. no.	Product - Customer Draw		sheet 3 of 5			

A

A

TOP LAYER DESCRIPTION

TABLE 1 (HCI POWER)
PLATED THROUGH-HOLE REQUIREMENTS

TOP LAYER DESCRIPTION	DRILLED HOLE DIAMETER	COPPER THICKNESS	TIN-LEAD THICKNESS	NICKEL THICKNESS	GOLD THICKNESS	TIN THICKNESS	SILVER THICKNESS	FINISHED HOLE DIAMETER
TIN-LEAD	0.81-0.86 (0.85 DRILL)	0.025 - 0.050	0.005 - 0.015	--	--	--	--	0.65 - 0.80
IMMERSION TIN	0.81-0.86 (0.85 DRILL)	0.025 - 0.050	--	--	--	0.9 - 1.5um	--	0.70 - 0.80
IMMERSION SILVER	0.81-0.86 (0.85 DRILL)	0.025 - 0.050	--	--	--	--	0.15 - 0.65um	0.70 - 0.80
COPPER (SEE NOTE 9)	0.81-0.86 (0.85 DRILL)	0.025 - 0.050	--	--	--	--	--	0.70 - 0.80
GOLD	0.81-0.86 (0.85 DRILL)	0.025 - 0.050	--	0.003 - 0.007	FLASH UP TO 0.0002	--	--	0.69 - 0.80

B

B

TOP LAYER DESCRIPTION

TABLE 2 (HPC SIGNALS)
PLATED THROUGH-HOLE REQUIREMENTS

TOP LAYER DESCRIPTION	DRILLED HOLE DIAMETER	COPPER THICKNESS	TIN-LEAD THICKNESS	NICKEL THICKNESS	GOLD THICKNESS	TIN THICKNESS	SILVER THICKNESS	FINISHED HOLE DIAMETER
TIN-LEAD	1.125-1.175 ($\varnothing .0453 \pm .0010$)	0.025-0.050	0.005-0.015	--	--	--	--	0.94 - 1.10 ($\varnothing .040 \pm .003$)
IMMERSION TIN			--	--	--	--	--	
IMMERSION SILVER			--	--	--	--	--	
COPPER (SEE NOTE 9)			--	--	--	--	--	
GOLD			--	--	--	--	--	

C

C

D

D

E

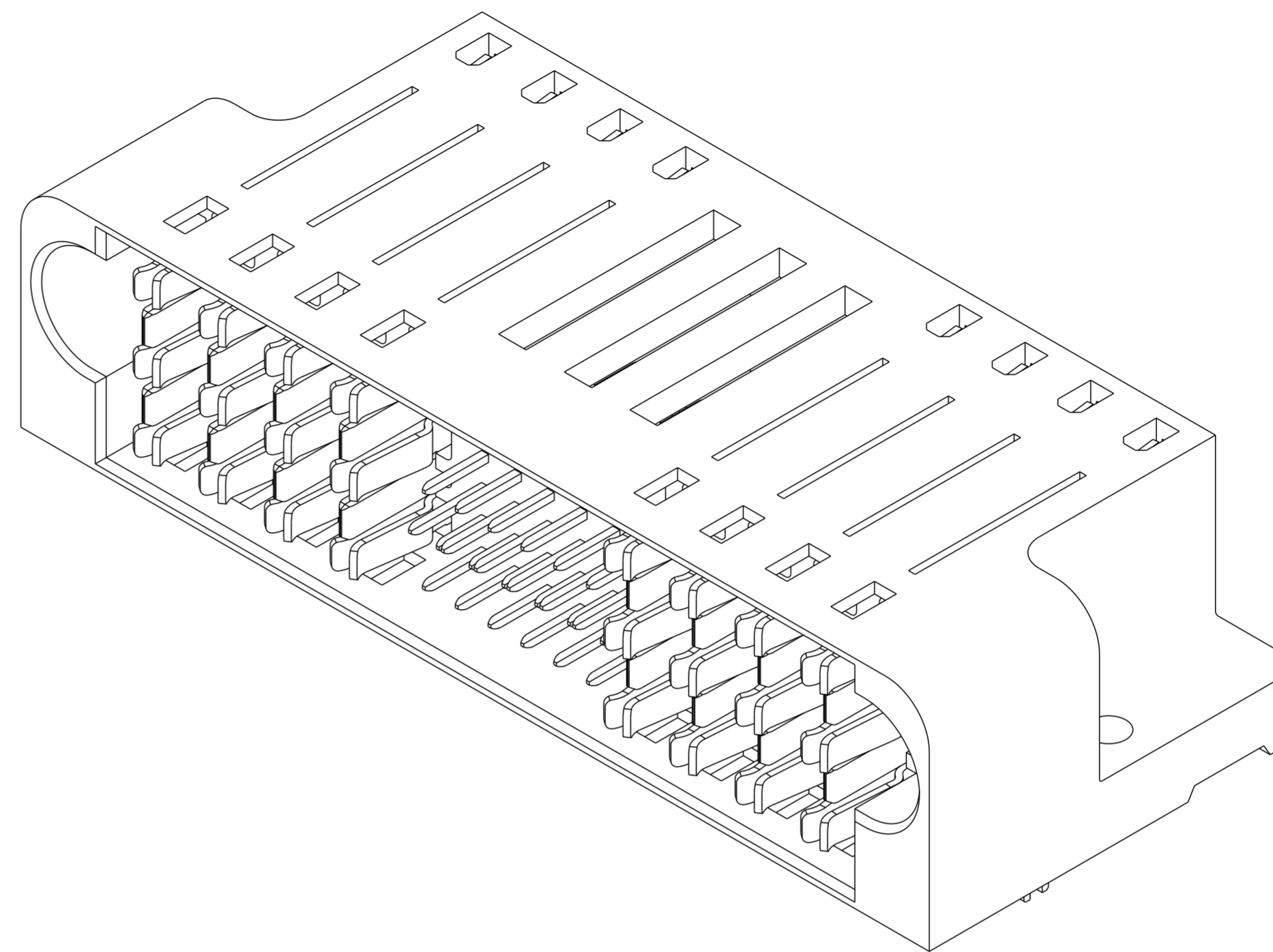
E

F

F

dr	NotFound DuWa	2010/04/28	projection	MM	size	A2	scale	4:1	
eng	De-Ming Lu	2014/12/27		←→	ecn no	ELX-DG-19849-1	rel level	Released	
chr	-	-							
appr	Pei-Ming Zheng	2014/12/29	product family	-	cat. no.	-	Product - Customer Drw	sheet 4 of 5	
		title			R/A HDR ASSY 4P+24S+4P		dwg no		10077213
www.fci.com		HCI POWER CONNECTOR			rev		B		

PART NUMBER	RETENTION CLIPS	#4 SCREW	DIM A (TAIL LENGTH)	TAIL TYPE
10077213-001LF	NO	YES	3.43	SOLDER TAIL
10077213-002LF	NO	YES	4.70	SOLDER TAIL
10077213-003LF	YES	NO	3.43	SOLDER TAIL
10077213-004LF	YES	NO	4.70	SOLDER TAIL



NOTES:

1. CONNECTOR MATERIALS:
HOUSING: HIGH TEMPERATURE THERMOPLASTIC, BLACK
UL 94V-0 COMPLIANT
CONTACTS: HIGH PERFORMANCE COPPER ALLOY
2. CONTACT FINISH (ref GS-12-380 SECTION 5.2)
3. PRODUCT SPECIFICATION: GS-12-380.
4. APPLICATION SPECIFICATION: GS-20-070.
5. PRODUCT MARKING (PRODUCT NUMBER & DATE CODE) ON HOUSING IN AREA SHOWN.
6. MINIMUM NOMINAL PCB THICKNESS: 1.6mm
7. PACKAGING MEETS FCI SPECIFICATION GS-14-1073.
8. HOUSING COMPONENT WILL WITHSTAND EXPOSURE TO 260°C PEAK TEMPERATURE FOR 60 SECONDS IN A CONVECTION, INFRA-RED, OR VAPOR PHASE REFLOW OVEN.
9. COPPER PLATING THICKNESS IN CENTER OF VIA-HOLE CAN BE NO MORE THAN 0.003 LESS THAN OTHER AREAS.
10. ALL HOLE SIZES ARE FINISHED HOLE SIZES.
11. MOUNTING HOLES ARE UNPLATED.

dr	NotFound DuWa	2010/04/28	projection	MM	size	A2	scale	3:1	
eng	De-Ming Lu	2014/12/27			ecn no	ELX-DG-19849-1			
chr	-	-			rel level	Released			
appr	Pei-Ming Zheng	2014/12/29	product family	HCI	cat. no.	-			
		title	R/A HDR ASSY 4P+24S+4P		dwg no	10077213		rev	B
www.fci.com		HCI POWER CONNECTOR		Product - Customer Drw		sheet 5 of 5			