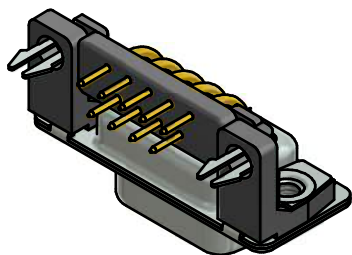


NOTES: (b)

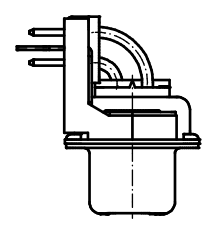
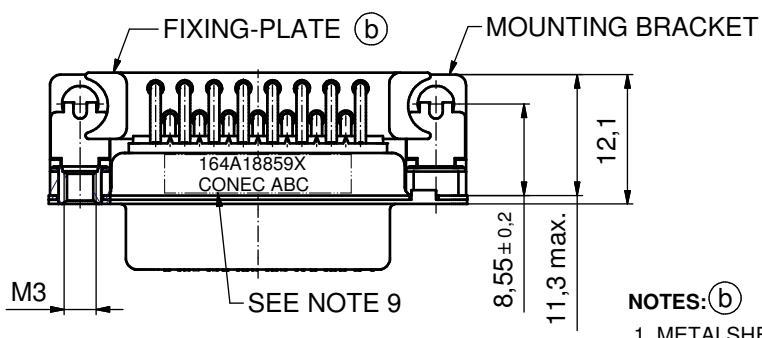
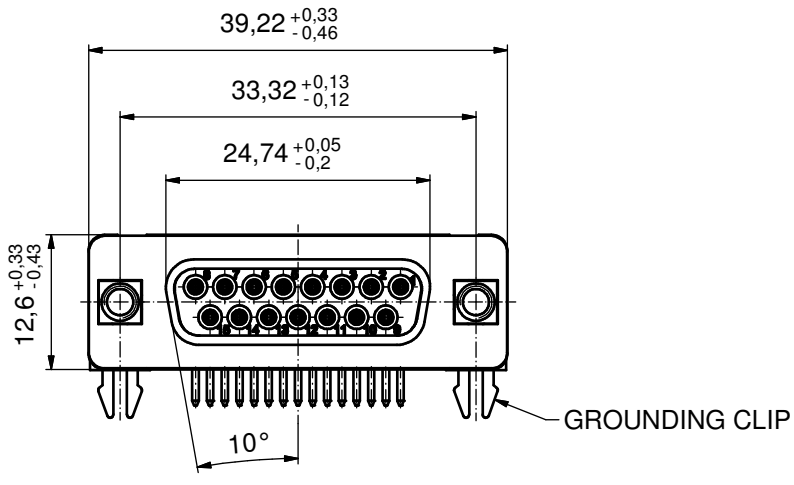
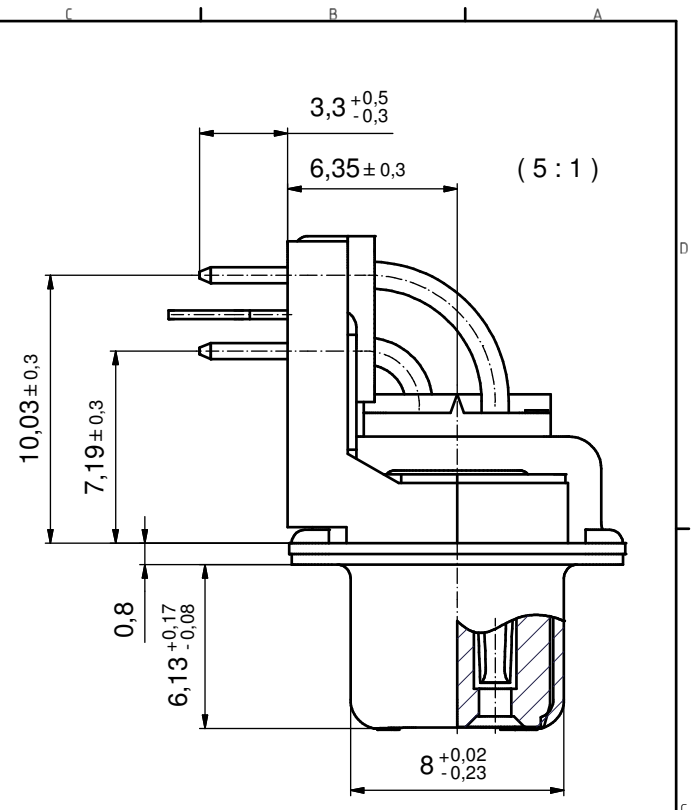
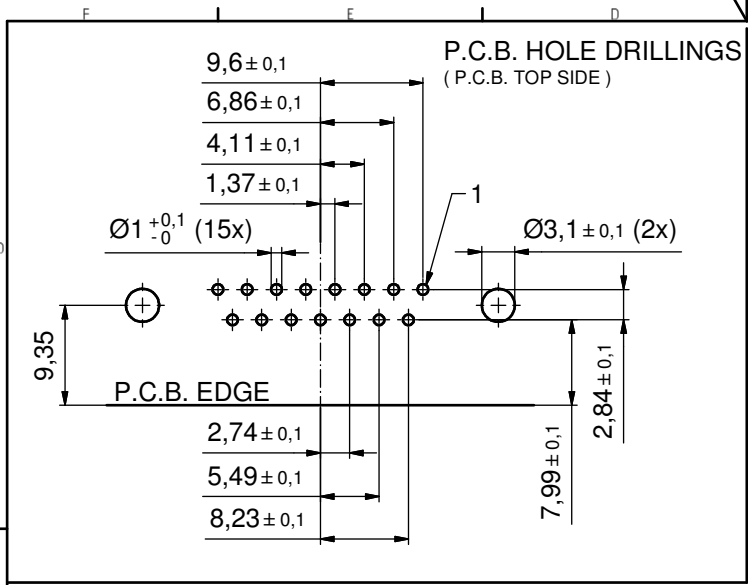
- METALSHELLS: STEEL; min. 315µin TIN over 40-80µin NICKEL
- INSULATORS: PBT GF UL 94 V-0; BLACK
- CONTACTS: COPPER ALLOY  
PLATING: GOLD FLASH over NICKEL
- MOUNTING BRACKETS: PBT GF UL 94 V-0; BLACK
- THREADED INSERTS: COPPER ALLOY; min. 200µin TIN over 80µin NICKEL
- GROUNDING-CLIPS: COPPER ALLOY; min. 200µin TIN over 80µin NICKEL  
PCB-HOLE: Ø3.1 ± 0.1; PCB THICKNESS 1.6mm
- FIXING-PLATE: PBT GF UL 94 V-0; BLACK
- MAXIMUM TORQUE VALUE FOR THREAD: 6 in.LB
- CONNECTOR IS PART MARKED: 164A18849X CONEC ABC



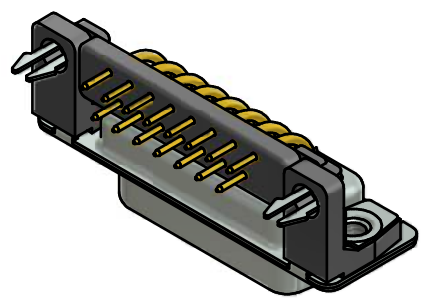
Directive 2002/95/EC RoHS compliant

THIS DRAWING MAY NOT BE COPIED OR REPRODUCED IN ANY WAY, AND MAY NOT BE PASSED ON TO A THIRD PARTY WITHOUT WRITTEN PERMISSION. OWNERSHIP AND COPYRIGHT OF CONEC GmbH DO NOT ALTER CAD DRAWING BY HAND				tolerance		dim. in mm	scale: 2:1 (5:1)	
				date			material: SEE NOTES	
				name		title:		
				drawn	28.09.01	D-SUB FEMALE 90°		
appd.	28.09.01	9pos. SOLDER PIN ANGLED 0.318inch						
norm	DIN 41652		threade insert,mounting bracket,grounding clip					
d-old			dwg no:	DIN-A3				
3 x b	A3816	29.11.10	K.H.	16K1A319A (b) sh: 1/6				
a	Original			part no: 164A18849X				
rev.	description	date	name					



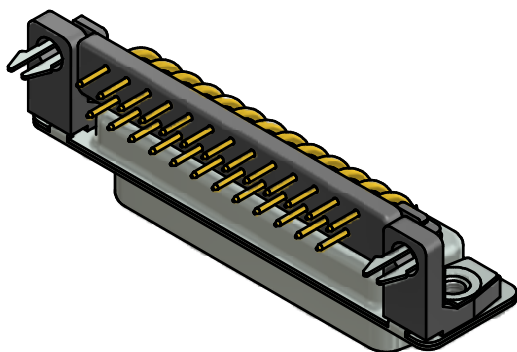
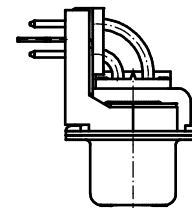
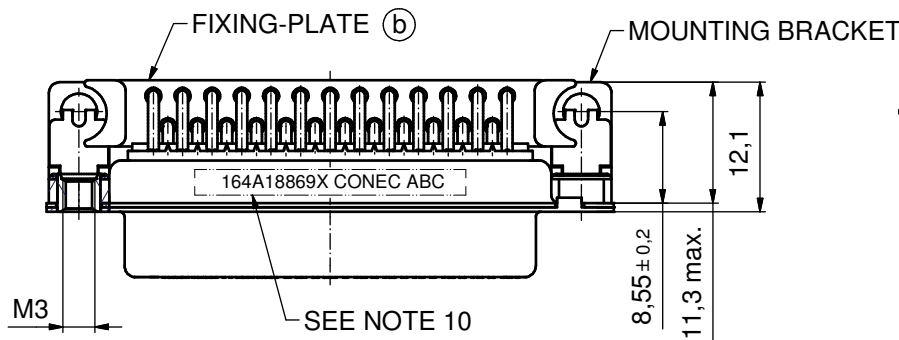
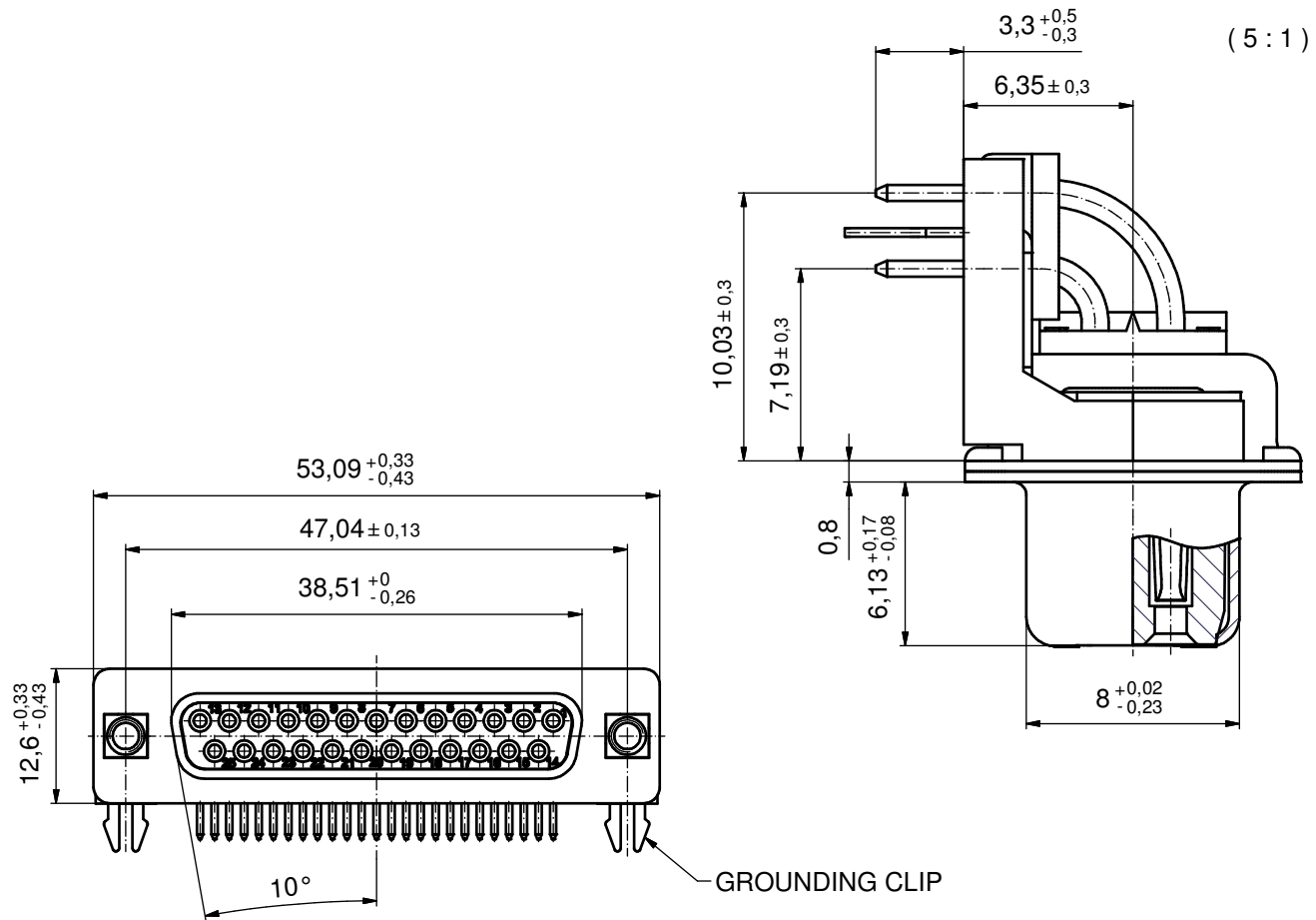


- NOTES:** (b)
- METALSHELLS: STEEL; min. 315µm TIN over 40-80µm NICKEL
  - INSULATORS: PBT GF UL 94 V-0; BLACK
  - CONTACTS: COPPER ALLOY  
PLATING: GOLD FLASH over NICKEL
  - MOUNTING BRACKETS: PBT GF UL 94 V-0; BLACK
  - THREADED INSERTS: COPPER ALLOY; min. 200µm TIN over 80µm NICKEL
  - GROUNDING-CLIPS: COPPER ALLOY; min. 200µm TIN over 80µm NICKEL  
PCB-HOLE: Ø3.1 ±0.1; PCB THICKNESS 1.6mm
  - FIXING-PLATE: PBT GF UL 94 V-0; BLACK
  - MAXIMUM TORQUE VALUE FOR THREAD: 6 in.LB
  - CONNECTOR IS PART MARKED: **164A18859X CONEC ABC**



Directive 2002/95/EC RoHS compliant

THIS DRAWING MAY NOT BE COPIED OR REPRODUCED IN ANY WAY, AND MAY NOT BE PASSED ON TO A THIRD PARTY WITHOUT WRITTEN PERMISSION. OWNERSHIP AND COPYRIGHT OF CONEC GmbH DO NOT ALTER CAD DRAWING BY HAND	tolerance		dim. in mm		scale:	2:1 (5:1)		
					material:	SEE NOTES		
			date	name	title:			
			drawn	28.09.01	Parei	D-SUB FEMALE 90°		
			appd.	28.09.01	Mickenbecker	15pos. SOLDER PIN ANGLED 0.318inch thread insert, mounting bracket, grounding clip		
		norm	DIN 41652		dwg no:			
		d-old				DIN-A3		
3 x b	A3816	26.11.10	K.H.	<b>CONEC</b> <sup>®</sup>	16K1A319A (b)		sh: 2/6	
a	Origin				part no: 164A18859X			
rev.	description	date	name					



**NOTES: (b)**

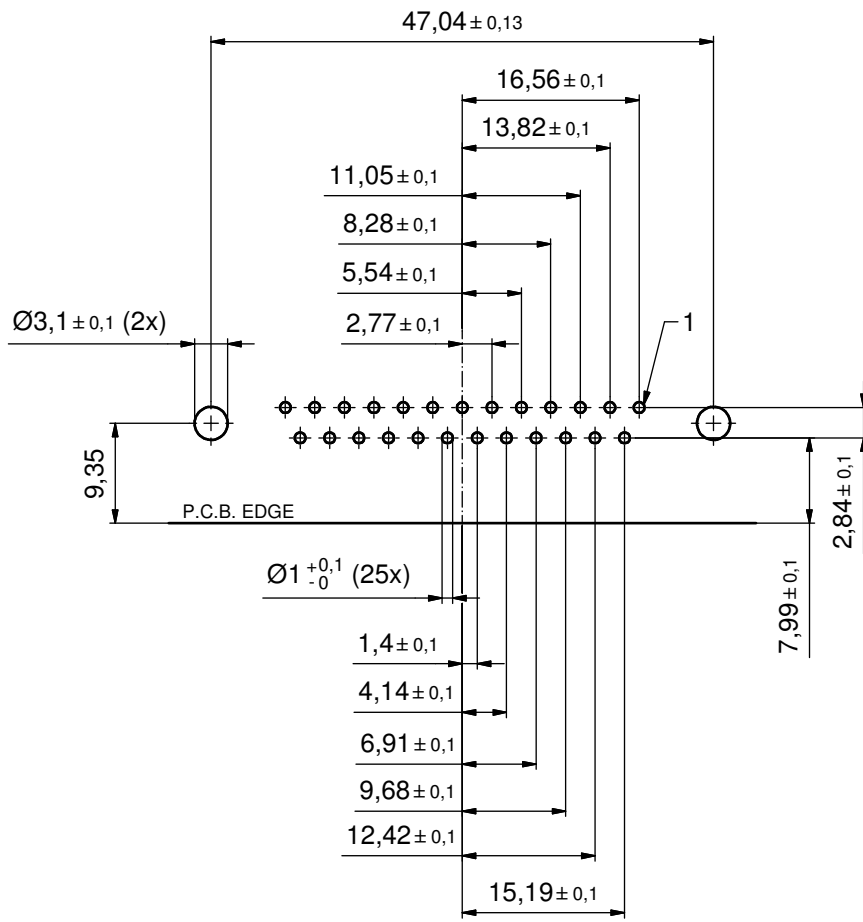
1. METALSHELLS: STEEL; min. 315µin TIN over 40-80µin NICKEL
2. INSULATORS: PBT GF UL 94 V-0; BLACK
3. CONTACTS: COPPER ALLOY  
PLATING: GOLD FLASH over NICKEL
4. MOUNTING BRACKETS: PBT GF UL 94 V-0; BLACK
5. THREADED INSERTS: COPPER ALLOY; min. 200µin TIN over 80µin NICKEL
6. GROUNDING-CLIPS: COPPER ALLOY; min. 200µin TIN over 80µin NICKEL  
PCB-HOLE:  $\varnothing 3.1 \pm 0.1$ ; PCB THICKNESS 1.6mm
7. FIXING-PLATE: PBT GF UL 94 V-0; BLACK
8. P.C.B HOLE DRILLINGS ON SHEET 4
9. MAXIMUM TORQUE VALUE FOR THREAD: 6 in.LB
10. CONNECTOR IS PART MARKED: **164A18869X CONEC ABC**



Directive 2002/95/EC RoHS compliant

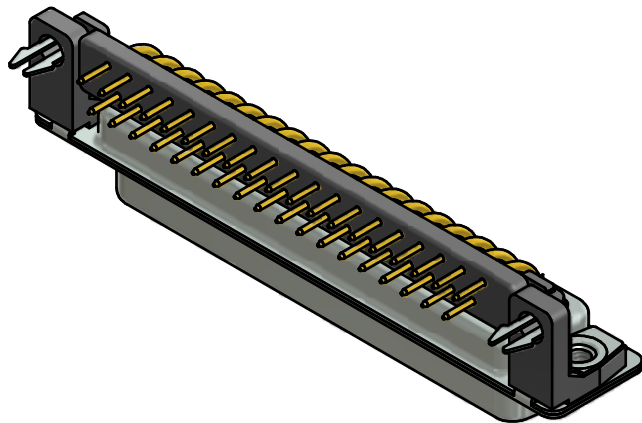
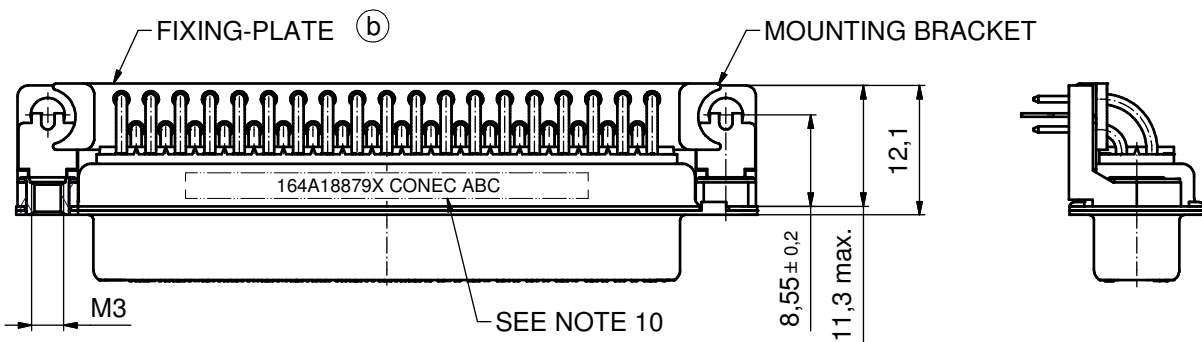
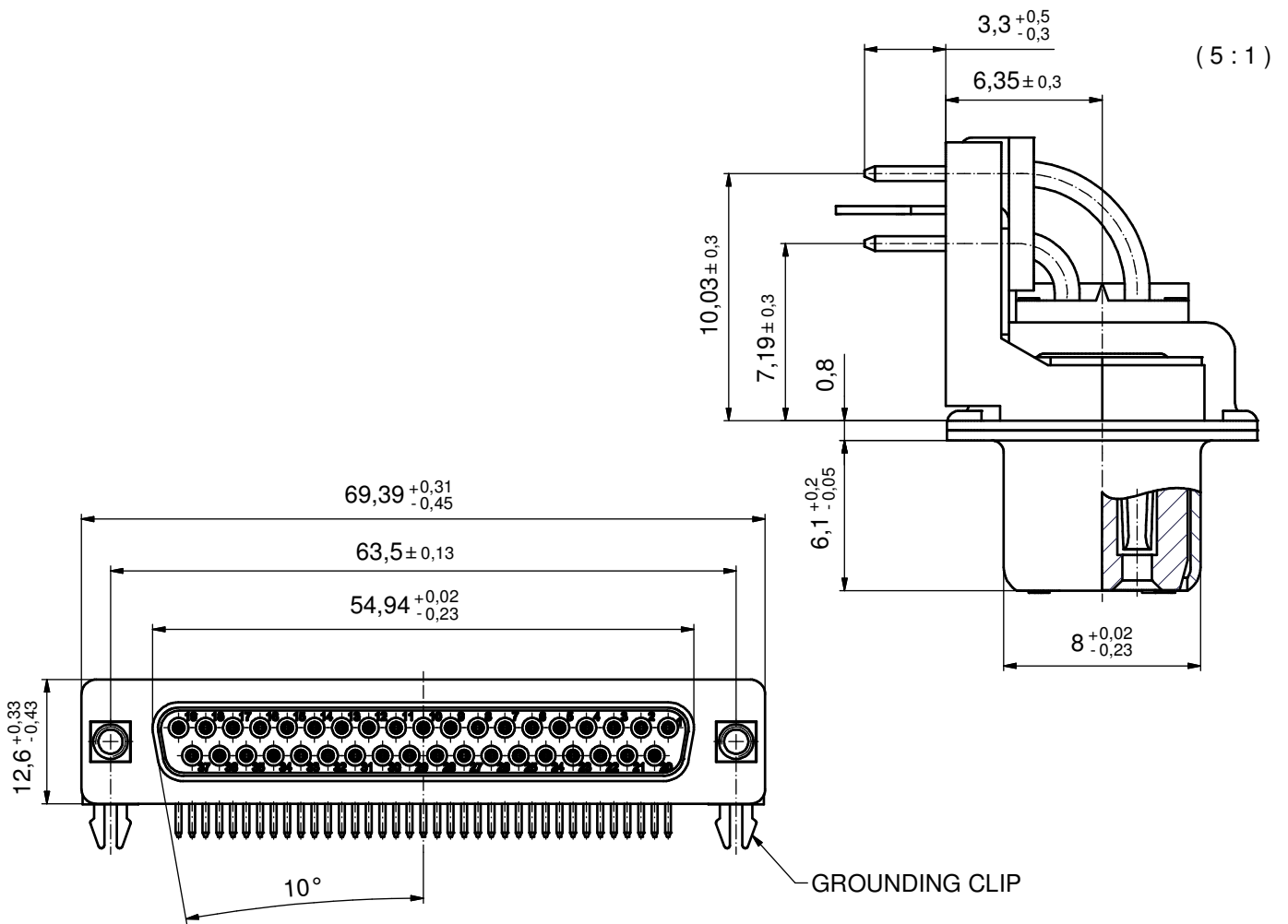
THIS DRAWING MAY NOT BE COPIED OR REPRODUCED IN ANY WAY, AND MAY NOT BE PASSED ON TO A THIRD PARTY WITHOUT WRITTEN PERMISSION. OWNERSHIP AND COPYRIGHT OF CONEC GmbH DO NOT ALTER CAD DRAWING BY HAND				tolerance		scale: 2:1 (5:1)
				date	name	material: SEE NOTES
				drawn	28.09.01	Parei
				appd.	28.09.01	Mickenbecker
				norm	DIN 41652	
			d-old			title: D-SUB FEMALE 90° 25pos. SOLDER PIN ANGLED 0.318inch thread insert,mounting bracket,grounding clip
3 x b	A3816	29.11.10	K.H.	<b>CONEC</b> <sup>®</sup>		dwg no: 16K1A319A
a	Origin					DIN-A3
rev.	description	date	name			part no: 164A18869X
						(b) sh: 3/4

# P.C.B. HOLE DRILLINGS

( P.C.B. TOP SIDE )



THIS DRAWING MAY NOT BE COPIED OR REPRODUCED IN ANY WAY, AND MAY NOT BE PASSED ON TO A THIRD PARTY WITHOUT WRITTEN PERMISSION. OWNERSHIP AND COPYRIGHT OF CONEC GmbH DO NOT ALTER CAD DRAWING BY HAND				tolerance		 dim. in mm		scale: 2:1	
								material: SEE SHEET3	
								title:	
				date		name		P.C.B. HOLE DRILLINGS D-SUB Female 25pos. 0.318inch with thread insert,mounting bracket and grounding clip	
				drawn 28.09.		Perei		dwg no:	
				appd. 28.09		Mickenbecker		16K1A319A	
				norm				DIN-A3 sh: 4/6	
				d-old				part no: SEE SHEET3	
rev.	description	date	name						



**NOTES:** (b)

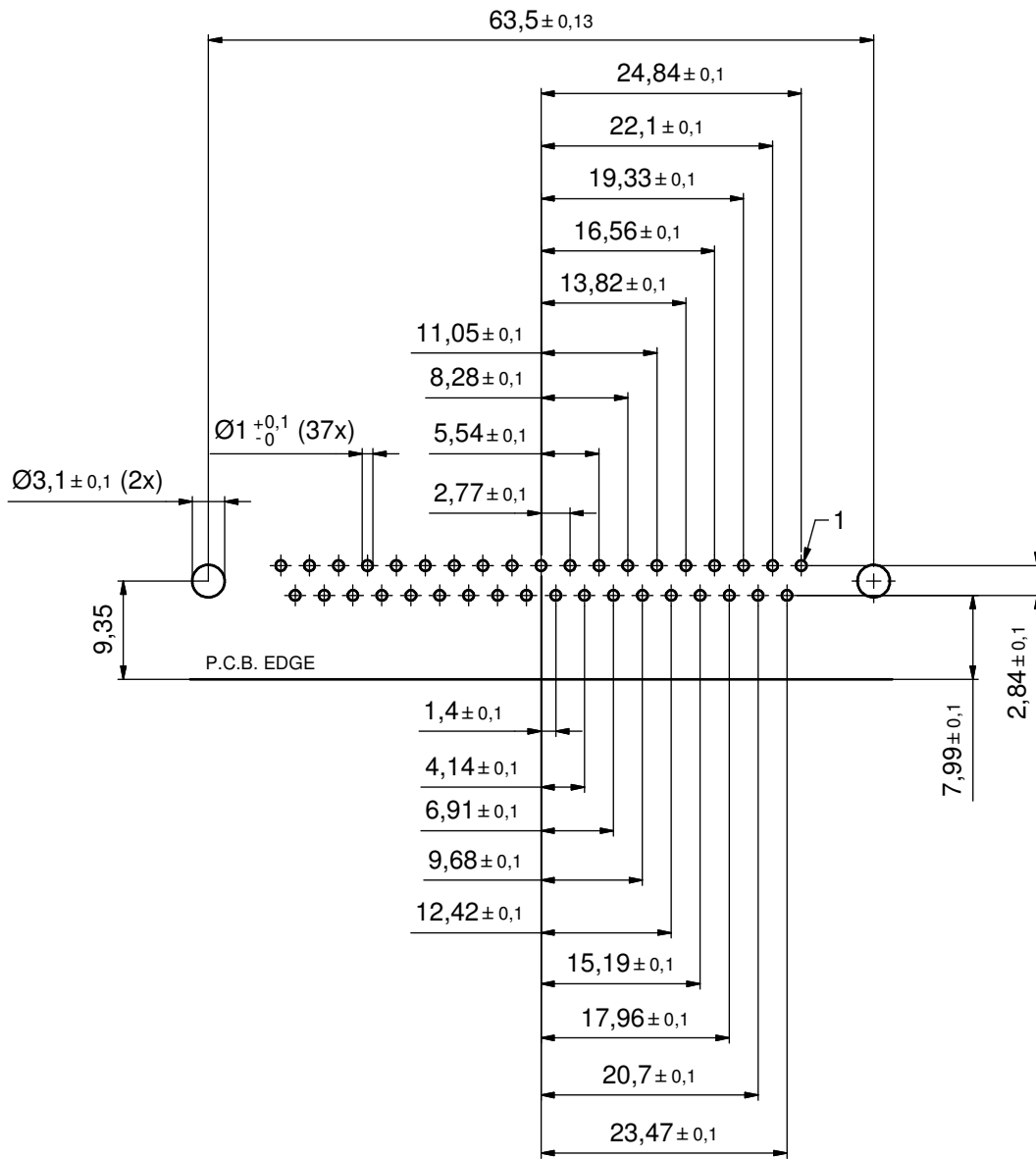
1. METALSHELLS: STEEL; min. 315µm TIN over 40-80µm NICKEL
2. INSULATORS: PBT GF UL 94 V-0; BLACK
3. CONTACTS: COPPER ALLOY  
PLATING: GOLD FLASH over NICKEL
4. MOUNTING BRACKETS: PBT GF UL 94 V-0; BLACK
5. THREADED INSERTS: COPPER ALLOY; min. 200µm TIN over 80µm NICKEL
6. GROUNDING-CLIPS: COPPER ALLOY; min. 200µm TIN over 80µm NICKEL  
PCB-HOLE:  $\varnothing 3.1 \pm 0.1$ ; PCB THICKNESS 1.6mm
7. FIXING-PLATE: PBT GF UL 94 V-0; BLACK
8. P.C.B HOLE DRILLINGS ON SHEET 6
9. MAXIMUM TORQUE VALUE FOR THREAD: 6 in.LB
10. CONNECTOR IS PART MARKED: 164A18879X CONEC ABC

Directive 2002/95/EC RoHS compliant

THIS DRAWING MAY NOT BE COPIED OR REPRODUCED IN ANY WAY, AND MAY NOT BE PASSED ON TO A THIRD PARTY WITHOUT WRITTEN PERMISSION. OWNERSHIP AND COPYRIGHT OF CONEC GmbH DO NOT ALTER CAD DRAWING BY HAND					tolerance	dim. in mm	scale:	2:1 (5:1)	
					date		name	material:	SEE NOTES
					drawn	28.09.01	Parei	title: <b>D-SUB FEMALE 90°</b> 37pos. SOLDER PIN ANGLED 0.318inch thread insert,mounting bracket,grounding clip	
					appd.	28.09.01	Mickenbecker		
					norm				
					d-old				
	3 x b	A3816	06.12.10	K.H.				dwg no:	DIN-A3
	a	Origin						<span style="border: 1px solid black; border-radius: 50%; padding: 2px;">b</span>	sh: 5/6
	rev.	description	date	name				part no:	164A18879X

# P.C.B. HOLE DRILLINGS

( P.C.B. TOP SIDE )



Directive 2002/95/EC RoHS compliant

THIS DRAWING MAY NOT BE COPIED OR REPRODUCED IN ANY WAY, AND MAY NOT BE PASSED ON TO A THIRD PARTY WITHOUT WRITTEN PERMISSION. OWNERSHIP AND COPYRIGHT OF CONEC GmbH DO NOT ALTER CAD DRAWING BY HAND				tolerance	 dim. in mm	scale: 2:1	
				date		name	material: SEE SHEET 5
				drawn	28.09.01	Perei	<b>P.C.B. HOLE DRILLINGS</b> D-SUB Female 37pos. 0.318inch with thread insert, mounting bracket and grounding clip
				appd.	28.09.10	Mickenbecker	
				norm			
			d-old			dwg no:	
	a	Origin				16K1A319A	DIN-A3
rev.	description	date				name	part no: SEE SHEET 5