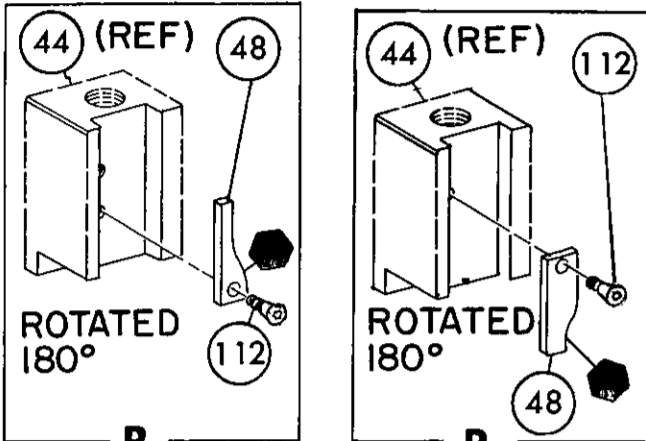


PRE-FEED
1 1/8" STROKE

POST-FEED
1 5/8" STROKE



NOTES:

1.- ONLY THE ITEMS WITH QUANTITIES SPECIFIED ON PARTS LIST ARE USED ON THIS APPLICATOR.

2.- USED IN PLACE OF ITEM 38 WHEN INSULATION CRIMP IS NOT USED.

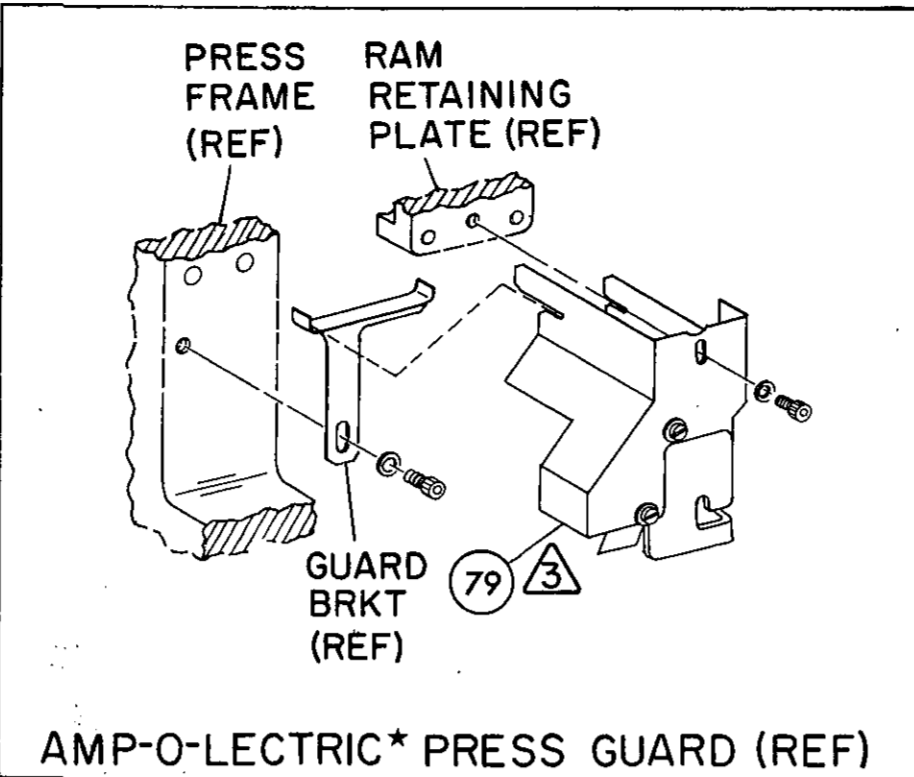
3.- GUARD MUST BE IN PLACE WHEN OPERATING APPLICATOR IN AMP-O-LECTRIC PRESS.

4. PARTS WITH QTY. OF REF. SPECIFIED (EXCEPT ITEM 79) ARE USED ON ITEM 46.

KEY:

RECOMMENDED SPARE PARTS CUSTOMER RESPONSIBLE FOR REPLACEMENT.

LUBRICATE DAILY USING NO. 20 MACHINE OIL.



REF	PART NO	DESCRIPTION	QTY	ITEM NO
REF	21045-3	RING, RETAINING 'C' (.187 DIA) FEED FINGER PIN	145	REF
REF	144	CAP, HOUSING	59	REF
REF	454485-1	HOUSING	58	REF
REF	5-21028-1	PIN, SLOT SPR (.125 DIA X .50) ADJ ROD	143	REF
1	4-21028-0	PIN, SLOT SPR (.093 DIA X .75) STR G PLATE	142	1
REF	1-21030-1	PIN, DOWEL (.187 DIA X .50) LEVER	141	REF
REF	1-21030-6	PIN, DOWEL (.187 DIA X 1.25) HOUSING	140	REF
REF	21024-5	WASHER, LOCK (NO 10) LUB ASSY	139	REF
REF	21024-5	WASHER, LOCK (NO 10) STRIP GUIDE ADJ BLOCK	138	REF
REF	21024-5	WASHER, LOCK (NO 10) ADJ PLATE	137	1
REF	21024-5	WASHER, LOCK (NO 10) FEED GUIDE ROD	136	1
3	21057-2	WASHER, LOCK (NO 4) FRONT STRIP GUIDE	135	1
1	21024-4	WASHER, LOCK (NO 8) FEED FINGER	134	1
2	21024-4	WASHER, LOCK (NO 8) DEPRESSOR	133	1
1	21024-4	WASHER, LOCK (NO 8) STRIPPER	132	1
REF	21899-4	WASHER, FLAT (5/16 DIA) SCREW ADJ	131	1
REF	21899-2	WASHER, FLAT (NO 10) LUB ASSY	130	1
1	21068-5	NUT, HEX MACH (6-32) HOLDDOWN	129	1
REF	21068-5	NUT, HEX MACH (6-32) FEED ADJ	128	1
REF	22353-8	SCR, SHLD. (.187 DIA X .250 LG) DRAG LEVER	126	2
1	456667-1	SCR, SHLD. (.188 DIA X .25 LG) STRIPPER	125	2
1	21009-2	SCR, SKT SET (1/4-20 X .25) (LOC-WEL) RAM	124	1
REF	3-21064-2	SCR, RD HD MACH (6-32 X 1.50) FEED ADJ	122	1
2	2-21002-9	SCR, BUT HD SKT CAP (10-32 X .75) DRAG	120	1
1	22733-8	SCR, BUT HD SKT CAP (8-32 X .38) (LOC-WEL) ANVIL	119	REF
REF	2-21002-9	SCR, BUT HD SKT CAP (10-32 X .75) CAP	118	1
REF	1-24073-9	SCR, BUT HD SKT CAP (1/4-20 X .75) HOUSING	117	1
REF	2-21002-7	SCR, BUT HD SKT CAP (10-32 X .50) SG ADJ BLOCK	116	REF
4	2-21002-2	SCR, BUT HD SKT CAP (8-32 X .50) SHEAR	115	1
2	2-21002-2	SCR, BUT HD SKT CAP (8-32 X .50) R STRIP GUIDE	114	1
1	2-21003-0	SCR, FLAT HD SKT CAP (6-32 X .50) CAM	113	2
REF	3-21000-4	SCR, SKT HD CAP (10-32 X .38) LUBRICATOR ASSY	112	1
2	23030-1	SCR, SKT HD CAP (6-32 X .25) (LOC-WEL) CP DISC	110	1
2	2-21000-7	SCR, SKT HD CAP (6-32 X .50) REAR SHEAR PLATE	109	1
1	2-22603-0	SCR, SKT HD CAP (8-32 X .50) DEPRESSOR	108	1
1	2-22603-0	SCR, HEX HD MACH (8-32 X .31) FEED FINGER	107	REF
3	1-21000-3	SCR, SKT HD CAP (4-40 X .25) F STRIP GUIDE	106	1
1	2-21000-7	SCR, SKT HD CAP (8-32 X .50) STRIPPER	105	1
REF	3-21000-7	SCR, SKT HD CAP (10-32 X .75) FEED ROD GUIDE	104	1
REF	3-21000-6	SCR, SKT HD CAP (10-32 X .62) FEED ADJ BLOCK	103	1
1	3-21000-4	SCR, SKT HD CAP (10-32 X .38) SG ADJ BLOCK	102	1
REF	3-21000-4	SCR, SKT HD CAP (10-32 X .38) PIVOT BLOCK	101	1
REF	455749-1	GUARD, WINDOW	79	1
REF	1-465184-0	LUBRICATOR ASSY	78	1
REF	458109-1	WASHER, SPECIAL	77	1
1	454877-3	PLATE, STRIP GUIDE COVER	74	1
2	690603-1	SPRING, ASSIST	72	1
REF	690517-1	SPACER	71	1
REF	22594-8	NUT, HEX	70	1
REF	240628-1	PLATE, ADJUSTMENT	69	1
REF	240626-1	SHAFT, PIVOT	68	1
REF	240633-1	BUSHING	67	1
REF	455680-1	LEVER, INTERMEDIATE	66	1
REF	240629-1	BLOCK, PIVOT	65	1
REF	240632-2	SCREW, ADJUSTMENT FEED ROD	64	1
REF	240659-3	PIN, CAM ROLLER	63	1
REF	240658-1	ROLLER, CAM	62	1
REF	454398-2	ROD, FEED	61	1
REF	454178-1	GUIDE, FEED ROD	60	1

QTY	PART NO	DESCRIPTION	ITEM NO
REF	458109-1	WASHER, SPECIAL	74
1	454877-3	PLATE, STRIP GUIDE COVER	73
2	690603-1	SPRING, ASSIST	72
REF	690517-1	SPACER	71
REF	22594-8	NUT, HEX	70
REF	240628-1	PLATE, ADJUSTMENT	69
REF	240626-1	SHAFT, PIVOT	68
REF	240633-1	BUSHING	67
REF	455680-1	LEVER, INTERMEDIATE	66
REF	240629-1	BLOCK, PIVOT	65
REF	240632-2	SCREW, ADJUSTMENT FEED ROD	64
REF	240659-3	PIN, CAM ROLLER	63
REF	240658-1	ROLLER, CAM	62
REF	454398-2	ROD, FEED	61
REF	454178-1	GUIDE, FEED ROD	60

CRIMPING DATA				APPLICATOR WILL APPLY	
PAD LTR	CRIMP HEIGHT	WIRE SIZE	WIRE STRIP LENGTH	62358	
A	.040	# 20			
B	.037	# 22			
C	.033	# 24			
D	NOT USED				
CRIMP	SIZE	TYPE	FEED	APPL INST	
WIRE	.055	F	400	A1 8040	
INSUL	.090	F			
WIRE RANGE		INSULATION RANGE		PRESS NO	
24 to 20		.042 to .073		565435-5	
REMARKS AMP-O-LECTRIC PRE-FEED					