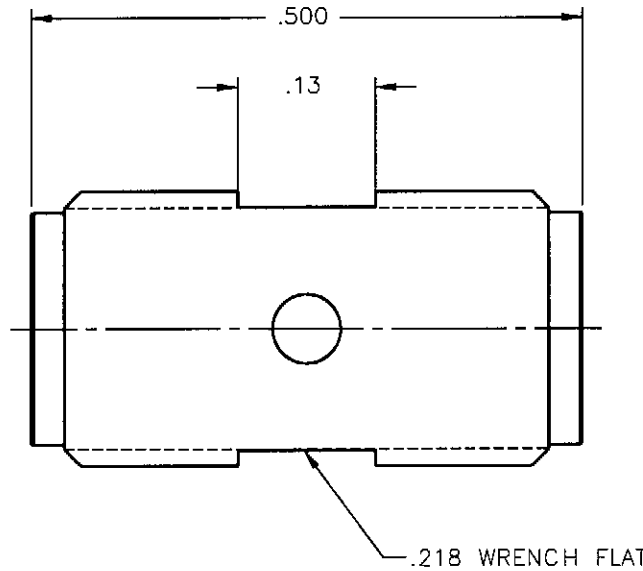


REVISIONS			
REV.	DESCRIPTION	DATE	APPROVED
A	INITIAL RELEASE	10/08/08	M.J.



NOTES: CONFORMS TO MIL-C-39012 SMA SERIES


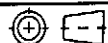
MATERIALS:

1. BODY = STAINLESS STEEL PER ASTM A582, ALLOY 303, CONDITION "A".
2. CONTACT = BERYLLIUM COPPER PER ASTM B196, ALLOY C17300, TEMPER TD04.
3. INSULATOR = VIRGIN WHITE TEFLON PER ASTM D1710, GRADE 1, TYPE I, CLASS "B".

FINISHES:

1. BODY = GOLD PLATE PER MIL-G-45204, TYPE II, CLASS 0, GRADE C, OVER .000050 TO .00010 STRESS FREE NICKEL PER QQ-N-290.
2. CONTACT = GOLD PLATE PER MIL-G-45204, TYPE II, CLASS 1, GRADE C, OVER .00010 TO .00020 STRESS FREE SULFAMATE NICKEL PER QQ-N-290.

Property of Radiall Incorporated  
This document cannot be reproduced or communicated to a third party without prior written permission of RADIALL Incorporated.

UNLESS OTHERWISE SPECIFIED DIMENSIONS ARE IN INCHES TOLERANCES ON	DWN:	DATE	 <b>APPLIED ENGINEERING PRODUCTS</b> 104 John W. Murphy Dr. New Haven, CT 06513 a RADIALL company			
	M.J.	10/08/08				
DECIMAL	ANGLE	CHKD:	DATE	<b>SMA STRAIGHT JACK TO JACK ADAPTER</b>		
		D.N.	10/08/08			
		APVD:	DATE	SIZE A    FSCM NO. 19505    DWG. NO. 5917-1103-000    REV A1		
		J.M.	10/08/08			
REFERENCE:	MATERIALS & FINISHES:		SCALE	THIRD ANGLE PROJECTION	SHEET 1 OF 1	
ORIGINATED: M.J. DATE: 10/08/08	SEE NOTES		6:1			

5917-1103-000