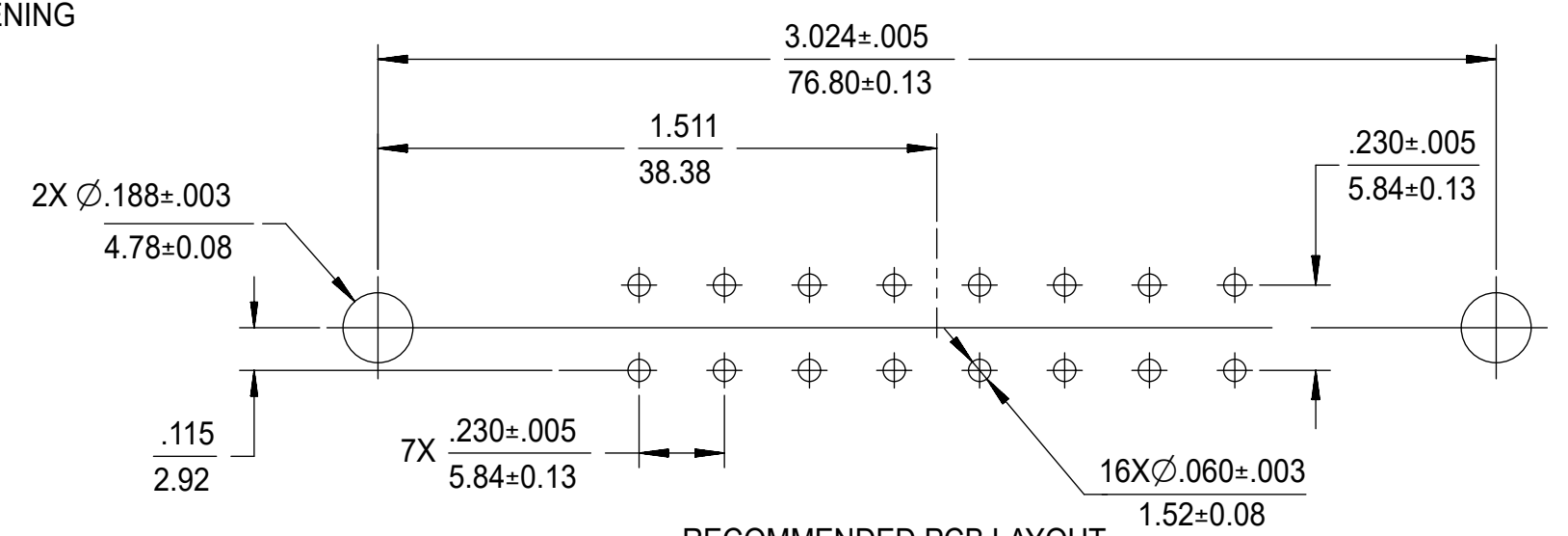
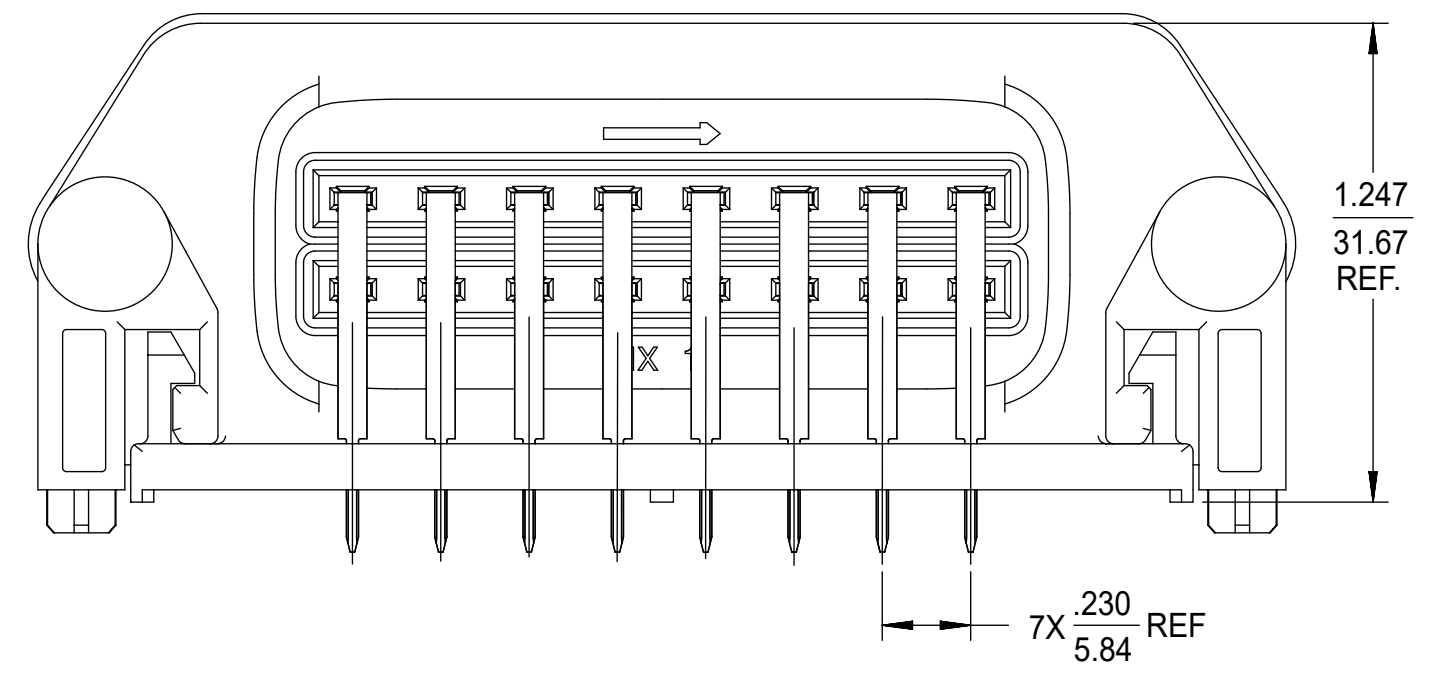
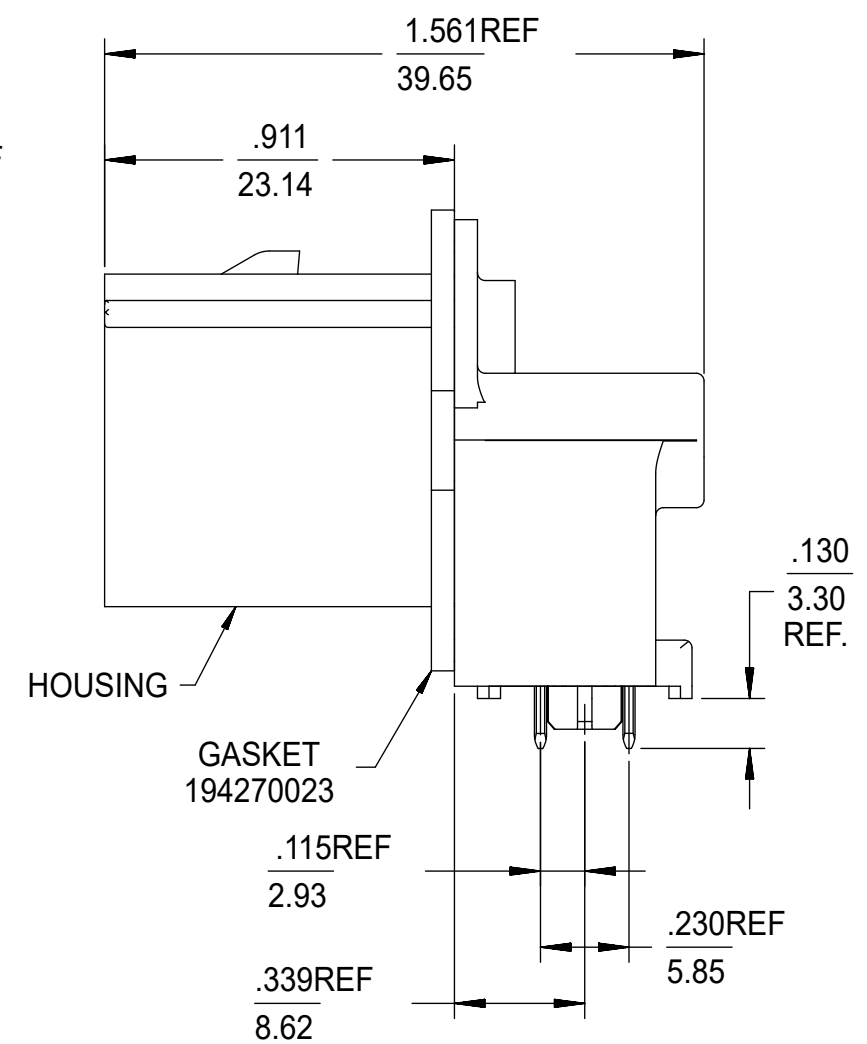
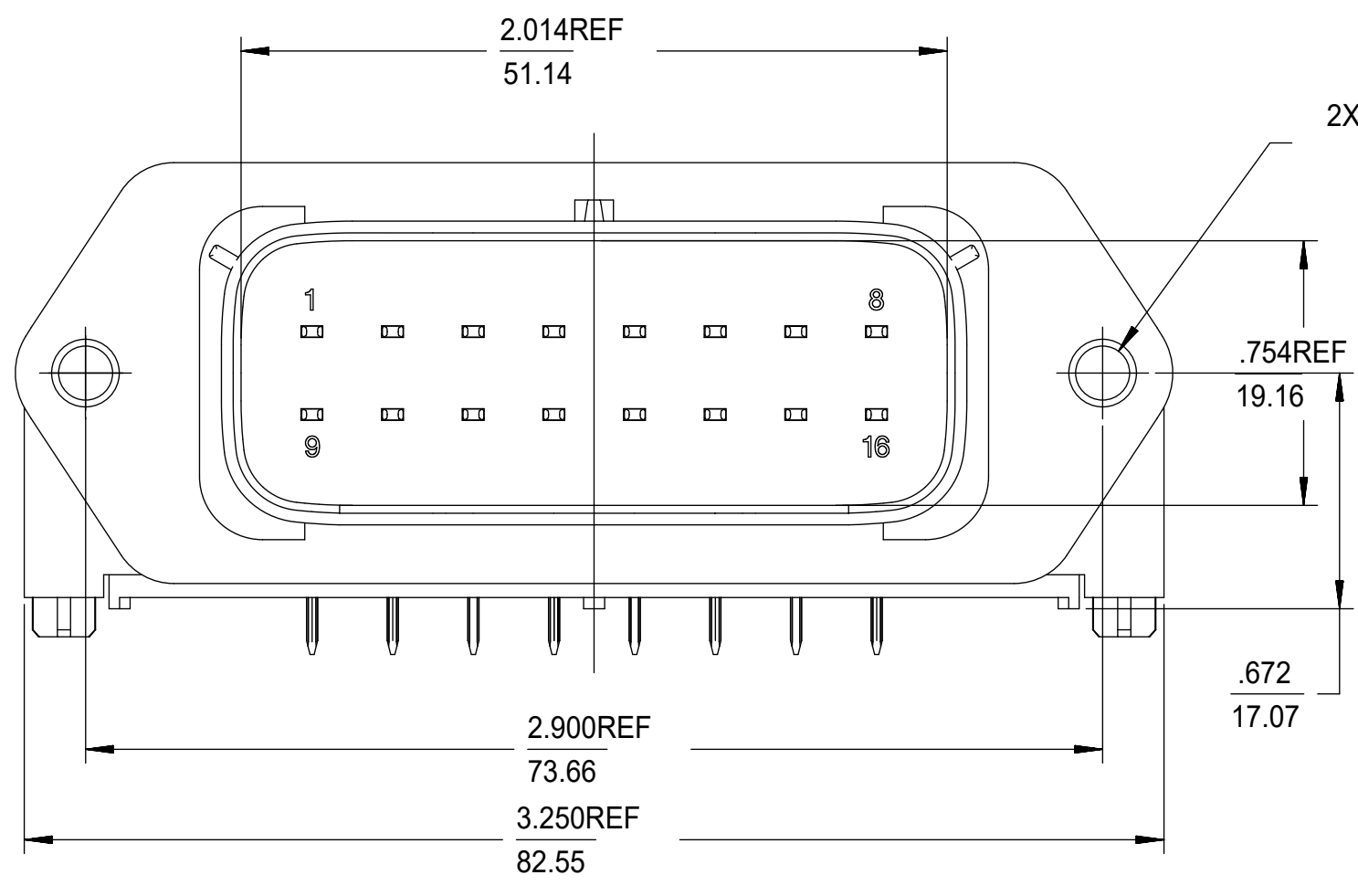


RECOMMENDED PANEL MOUNT OPENING
MAX PANEL THK .080/2.03



RECOMMENDED PCB LAYOUT
COMPONENT SIDE
TOLERANCES ARE NON-ACCUMULATIVE



NOTES:

- MATERIALS:**
HOUSING: POLYESTER (PBT), GLASS FILLED, UL94 V-0, COLOR: BLACK
TERMINALS: COPPER ALLOY
- TERMINAL FINISHES:**
 - TIN ONLY: 100µIN TIN OVER 50µIN NICKEL
 - TIN/GOLD: 30µIN SELECT GOLD (CONTACT MATING AREA), 100µIN SELECT TIN (PCB TAIL AREA) OVER 50µIN NICKEL OVERALL.
- PRODUCT SPECIFICATION:** PS-19427-001.
- PACKAGING SPECIFICATION:** PK-19427-001.
- MATES WITH:** 19418 SERIES RECEPTACLE ASSEMBLIES.
- RECOMMENDED MOUNTING HARDWARE:** (2)#10 X .62/18.9 LONG PLASTIC THREAD CUTTING SCREWS. RECOMMENDED TORQUE 15-17 IN-LBS. SUGGESTED SOURCE: ITW SHAKEPROOF INDUSTRIAL BOSSCREW OR EQUIVALENT.

PART NO.	TERMINAL PLATING
194270049	TIN
194270102	SELECT GOLD/TIN

THIS DRAWING CONTAINS INFORMATION THAT IS PROPRIETARY TO MOLEX ELECTRONIC TECHNOLOGIES, LLC AND SHOULD NOT BE USED WITHOUT WRITTEN PERMISSION			
DIMENSION UNITS	SCALE	CURRENT REV DESC: CORRECT PITCH DIM ON REC. PCB LAYOUT TO .230 ±.005 / 5.84 ±0.13	
INCH/MM	NTS		
GENERAL TOLERANCES (UNLESS SPECIFIED)			
	MM	INCH	
4 PLACES	±	±	
3 PLACES	±	± 0.015	
2 PLACES	±	± 0.38	
1 PLACE	±	±	
0 PLACES	±	±	
ANGULAR TOL	±	1.0 °	
DRAFT WHERE APPLICABLE MUST REMAIN WITHIN DIMENSIONS			
THIRD ANGLE PROJECTION		DRAWING	SERIES
		C-SIZE	19427
EC NO: 742161		2023/03/11	
DRWN: WLEUNG		2023/03/13	
CHK'D: VOU		2023/03/14	
APPR: HKNEELAND			
INITIAL REVISION:			
DRWN: JLOMASTR		2004/06/25	
APPR: RDEROSS		2004/06/28	
DOCUMENT NUMBER		DOC TYPE	DOC PART
SD-19427-025		PSD	001
MATERIAL NUMBER		CUSTOMER	SHEET NUMBER
SEE TABLE		GENERAL MARKET	1 OF 1



16 WAY RIGHT ANGLE
HEADER ASSEMBLY

PRODUCT CUSTOMER DRAWING