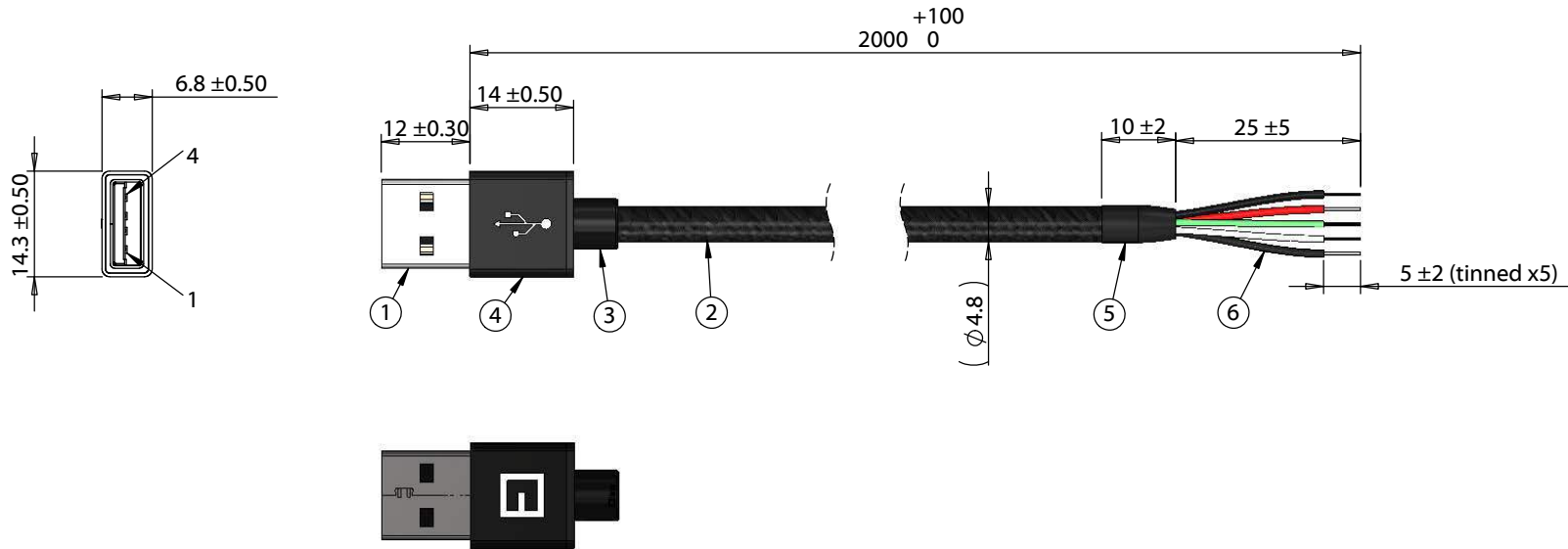


| ITEM NO. | PART NUMBER | DESCRIPTION   | QTY. | COMPONENT NOTES            |
|----------|-------------|---|------|----------------------------|
| 1        | 50-00574    | Connector, USB A 2.0 Plug, molding style, 180°, nickel plated shell, black insulator                | 1    |                            |
| 2        | 30-01273    | Wire, 4C, 1PR 28 AWG, 2C 26 AWG, UL2725, 30V, 80C, 4.8 mm, shielded, PVC, 79A, USB 2.0, nylon braid | 1    |                            |
| 3        | 24-00315    | Overmold, plug, USB A, slim design for aluminum shell   | 1    | PVC, black                 |
| 4        | 55-00115    | USB A plug aluminum shell, 13x14.3x6.8 mm   | 1    | black                      |
| 5        | Heat Shrink | Heat shrink tubing, black   | 1    | Covers jacket stripped end |
| 6        | Heat Shrink | Heat shrink tubing, black   | 1    | Covers shield and drain    |



| Wiring diagram |                |
|----------------|----------------|
| 50-00574       | Wire Color     |
| 1              | Red            |
| 2              | White          |
| 3              | Green          |
| 4              | Black          |
| Shell          | Drain & Shield |

**Notes:**  
Functionally equivalent components may be substituted

|           |            |                 |  |  |  |
|-----------|------------|-----------------|--|--|--|
| Revision: | Date:      | Description:    | Prepared:<br>PS<br><small>Digitally signed by PS<br/>Date: 2019.08.12<br/>16:19:43 -07'00'</small> | Notes:   | <h1>TENSILITY</h1> <p>tel 1.541.323.3228 800 877.670.7118<br/>fax 1.541.323.4202 web tensility.com</p> |
| A         | 08/12/2019 | Initial Release | Verified:<br>AW<br><small>Digitally signed by AW<br/>Date: 2019.08.13<br/>09:04:05 -07'00'</small> | RoHS compliant   |  |
|           |            |                 | Dimensions are in millimeters.<br>Tolerances:<br>X: ± 0.5 mm<br>X.X: ± 0.3 mm<br>X.XX: ± 0.05 mm   | Function test: no open, no short circuit, no intermittent                    |  |
|           |            |                 |  | Description:   | Size: Part number:   |
|           |            |                 |  | Cable, 2000 mm, 50-00574 USB A plug to 5 mm tinned, 26/28 AWG, 30-00872 wire | A 10-03389   |
|           |            |                 |  |  | Scale: 1:1   |
|           |            |                 |  |  | Sheet 1 of 1   |

5

4

3

2

1