

Style

M8 Plug, shielded
3 pin
A-coding

Ratings

Voltage: 60 V
Current: 3 A

Operating Temperature Range

-40~105 °C

Materials

- ① Insulator: PA66, UL 94 HB, black
- ② Pin: C3604 brass, gold flashing
- ③ Nut: C3604 brass, nickel plated
- ④ Shell: C3604 brass, nickel plated
- ⑤ O-ring: Nitrile rubber, black

Electrical Requirements

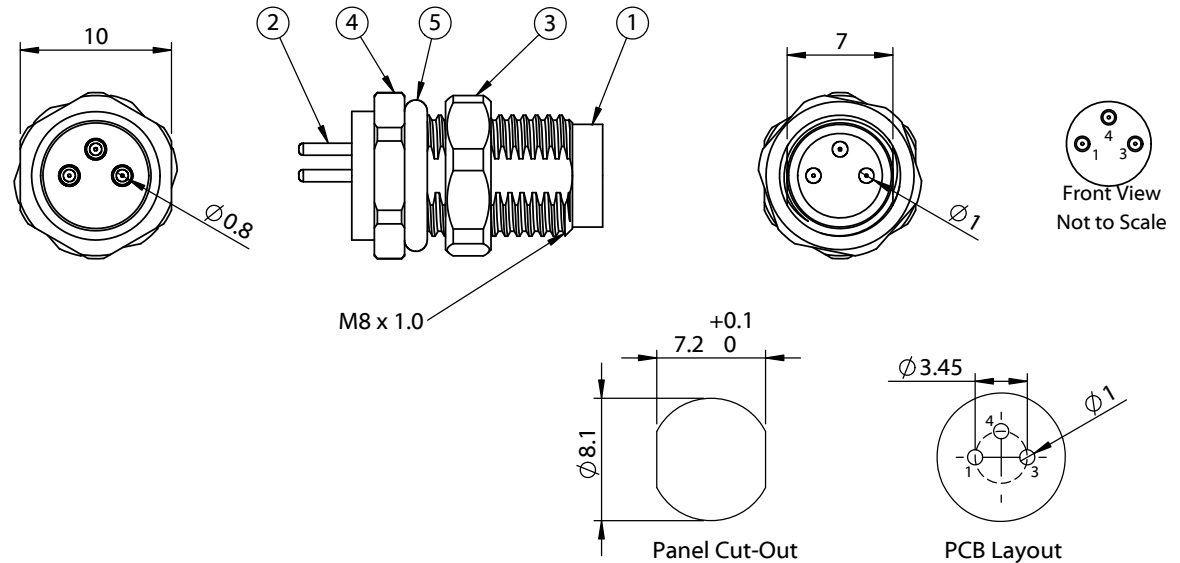
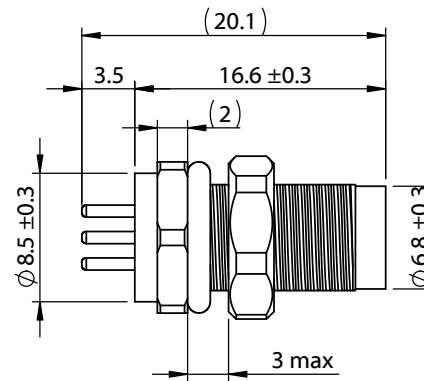
Dielectric strength: 1 min @ 500 Vac
Insulation resistance: 100 MΩ @ 500 Vdc
Contact resistance: 10 mΩ or less

Mechanical Requirements

Life cycle: 1000 mating cycles minimum

Environmental Requirements

Salt spray test: 35 °C, relative humidity 90-95%, 5% NaCl mist for 24 hrs. Wash parts after test. Maintain mechanical requirements and a contact resistance of less than 10 mΩ.
Waterproof: IP67



Revision:	Date:	Description:
A	8/24/21	Initial Release

Prepared: **JD**
Digitally signed by JD
Date: 2021.12.30 11:13:31 -08'00'

Verified: **AG**
Digitally signed by AG
Date: 2021.12.30 17:04:26 -08'00'

Dimensions are in millimeters.
Tolerances:
X: ± 0.3 mm
X.X: ± 0.1 mm
X.XX: ± 0.05 mm

Notes:
RoHS compliant

Function test: no open, no short circuit, no intermittent

Description:
Connector, 3 pin M8 A-code plug, 8x20.1 mm, gold plated, panel mount, PCB, IP67

TENSILITY

tel 1.541.323.3228 800 877.670.7118
fax 1.541.323.4202 web tensility.com

Size: A	Part number: 54-00275
Scale: 2:1	

Sheet 1 of 1