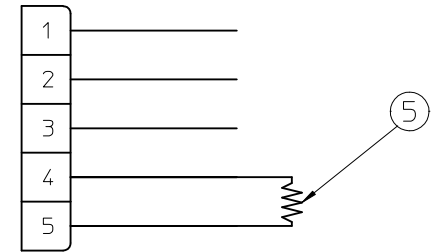
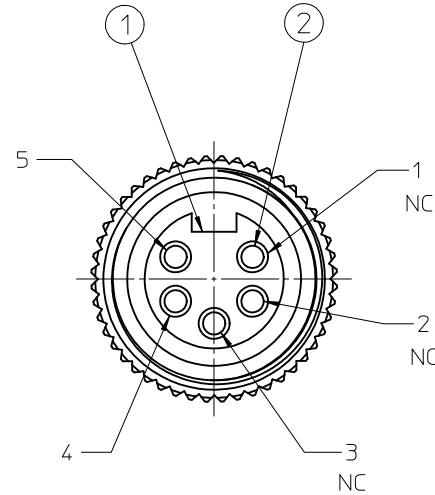
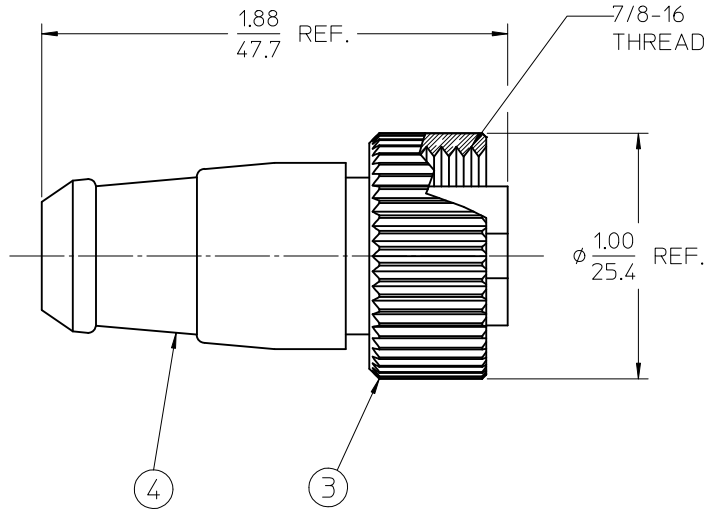
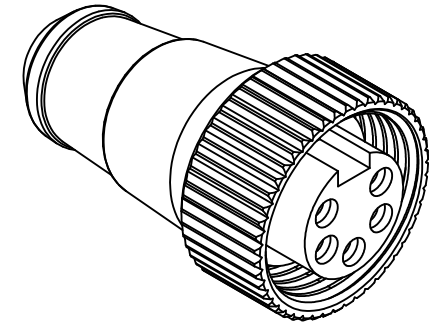


VOLTAGE RATING	50 VAC/VDC
AMPERAGE RATING	8 AMPS
PROTECTION	IP67
OPERATING TEMPERATURE	0°C TO 60°C



WIRING DIAGRAM

ITEM	COMPONENT	MATERIAL	FINISH
1	INSERT	PVC	GRAY
2	CONTACT SOCKET	COPPER ALLOY	GOLD OVER NICKEL
3	COUPLNG NUT	BRASS	NICKEL PLATED
4	OVERMOLD	PVC	GRAY
5	RESISTOR	121 OHM 1% METAL FILM 1/4 WATT	

RELEASED  
 EC NO: WINA2010-0417  
 DRAWN BY: DRWINSTONE 2010/01/21  
 CHECKED BY: WOODMAN 2010/01/22  
 APPR: JFMURPHY 2010/01/25

QUALITY SYMBOLS  
 ▽=0  
 ▽=0

	GENERAL TOLERANCES (UNLESS SPECIFIED)	
	mm	INCH
4 PLACES	± ---	± ---
3 PLACES	± ---	± ---
2 PLACES	± ---	± .01
1 PLACE	± 0.3	± ---
ANGULAR ±1/2°		

DRAFT WHERE APPLICABLE  
 MUST REMAIN WITHIN DIMENSIONS

DIMENSION STYLE  
**IN/MM**

DRAWN BY: R. STONE DATE: 2010/01/15  
 CHECKED BY: B. WOODMAN DATE: 2010/01/18  
 APPROVED BY: JFMURPHY DATE: 2010/01/22

MATERIAL NO.  
**848569109**

SCALE: 2:1  
 DESIGN UNITS: INCH  
 THIRD ANGLE PROJECTION

TITLE  
**TERMINATION RESISTOR  
 MC 5P, FEMALE**

**MOLEX INCORPORATED**

DOCUMENT NO. **SD-84856-016**  
 SHEET NO. **1 OF 1**

THIS DRAWING CONTAINS INFORMATION THAT IS PROPRIETARY TO MOLEX INCORPORATED AND SHOULD NOT BE USED WITHOUT WRITTEN PERMISSION