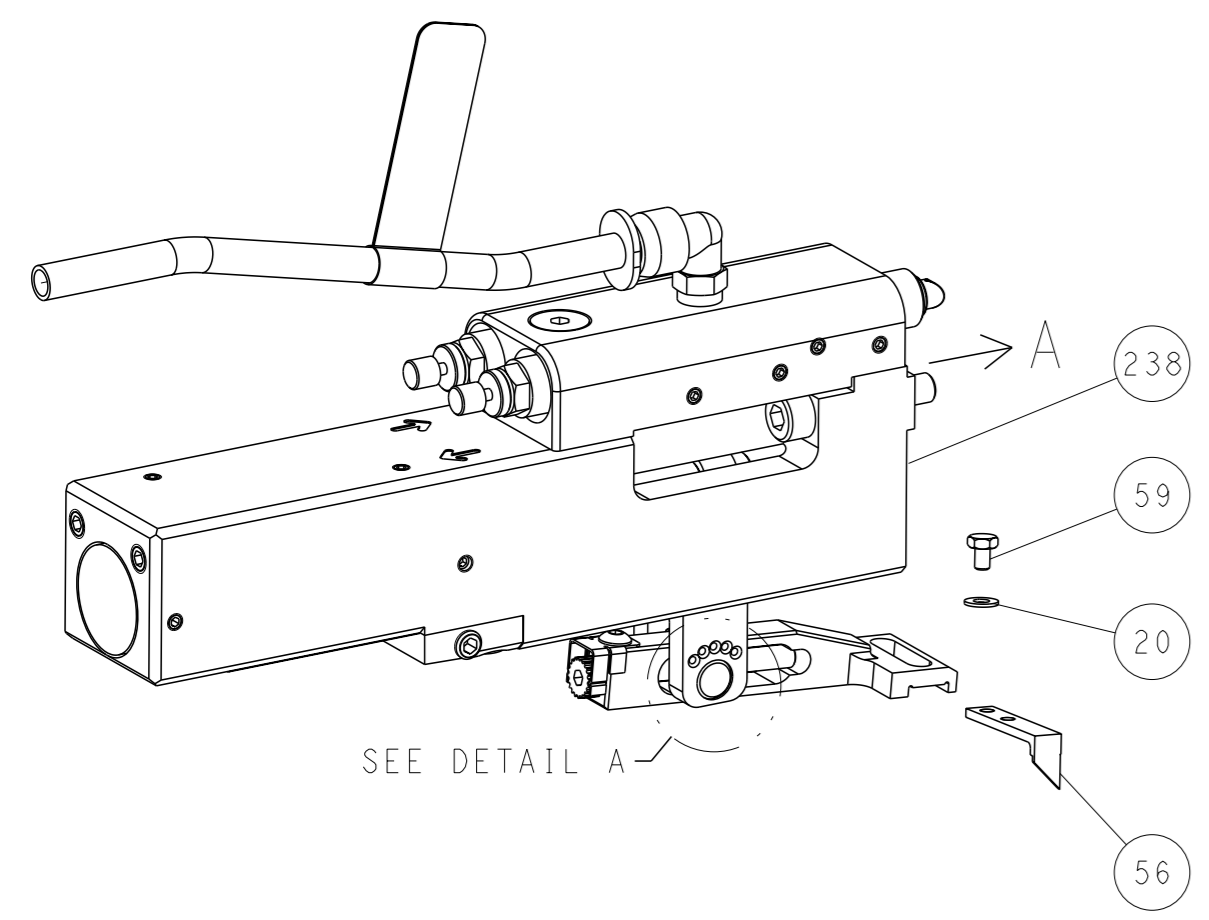


LOC	DIST	REVISIONS					
A	66	P	LYR	DESCRIPTION	DATE	OWN	APVD
		-		SEE SHEET 1	-	-	-

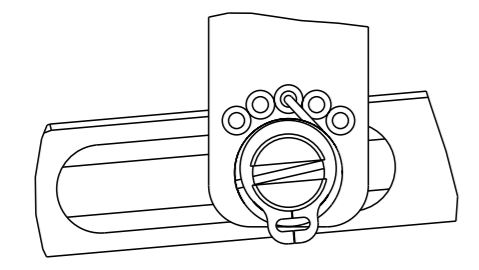
FEED TYPE

PNEUMATIC



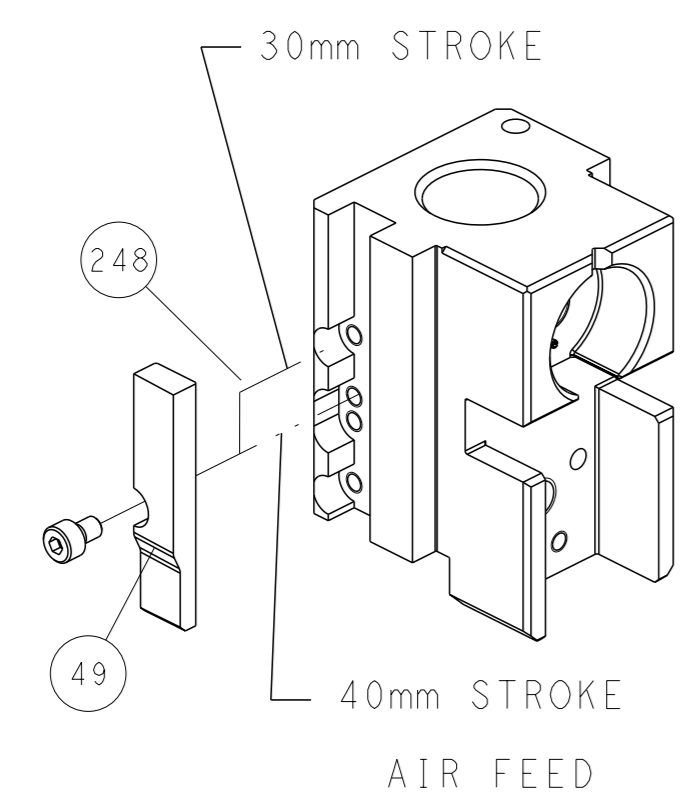
SEE DETAIL A

FEED SPRING SETTING POSITION
(SHOWN FROM REAR SIDE)

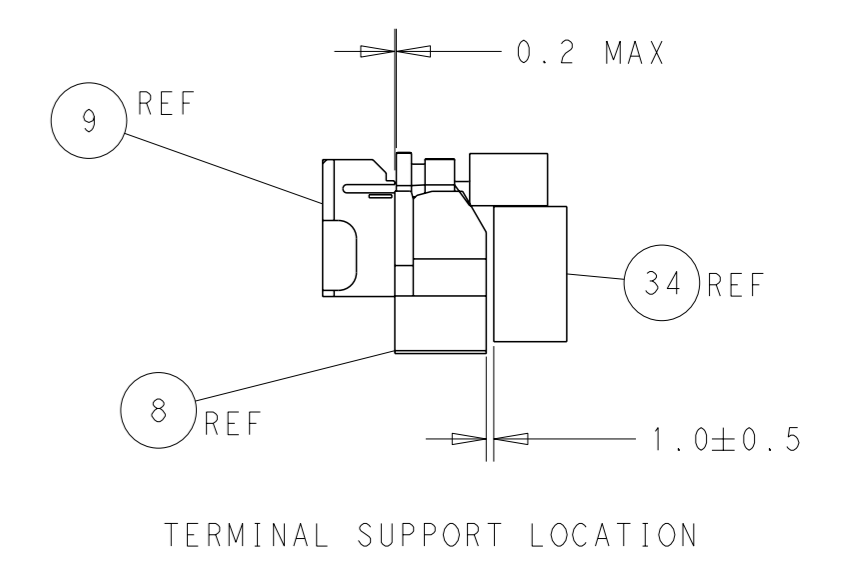
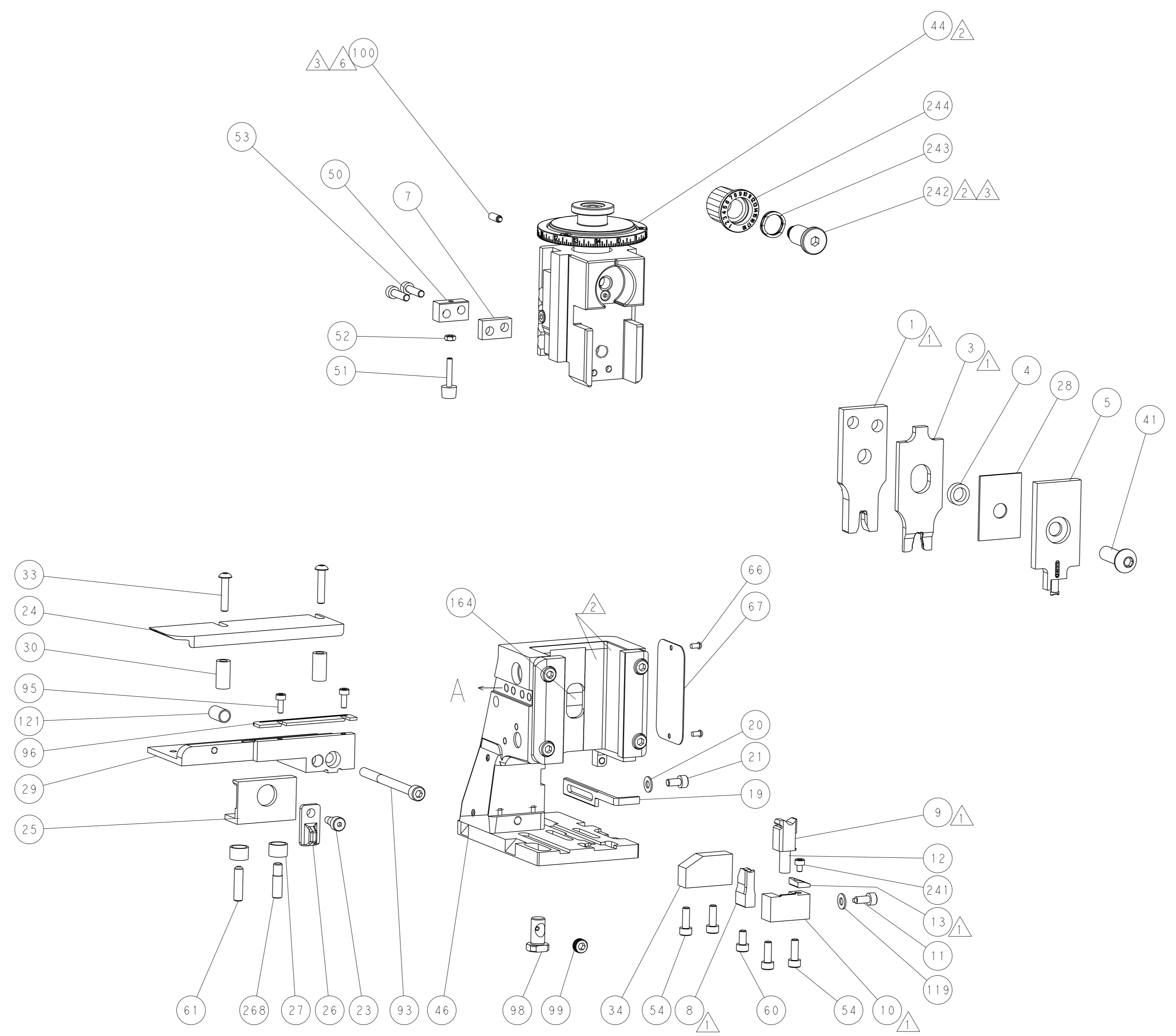


DETAIL A

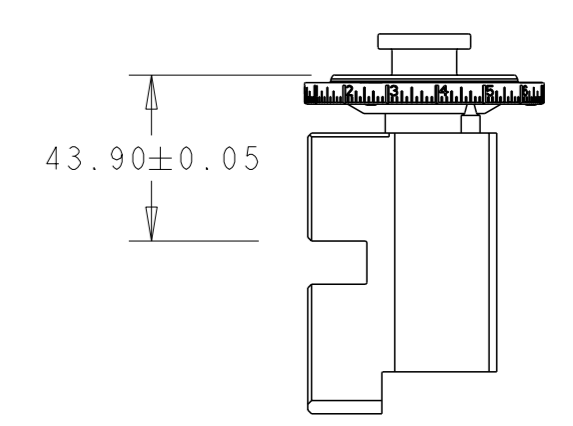
CAM POSITION



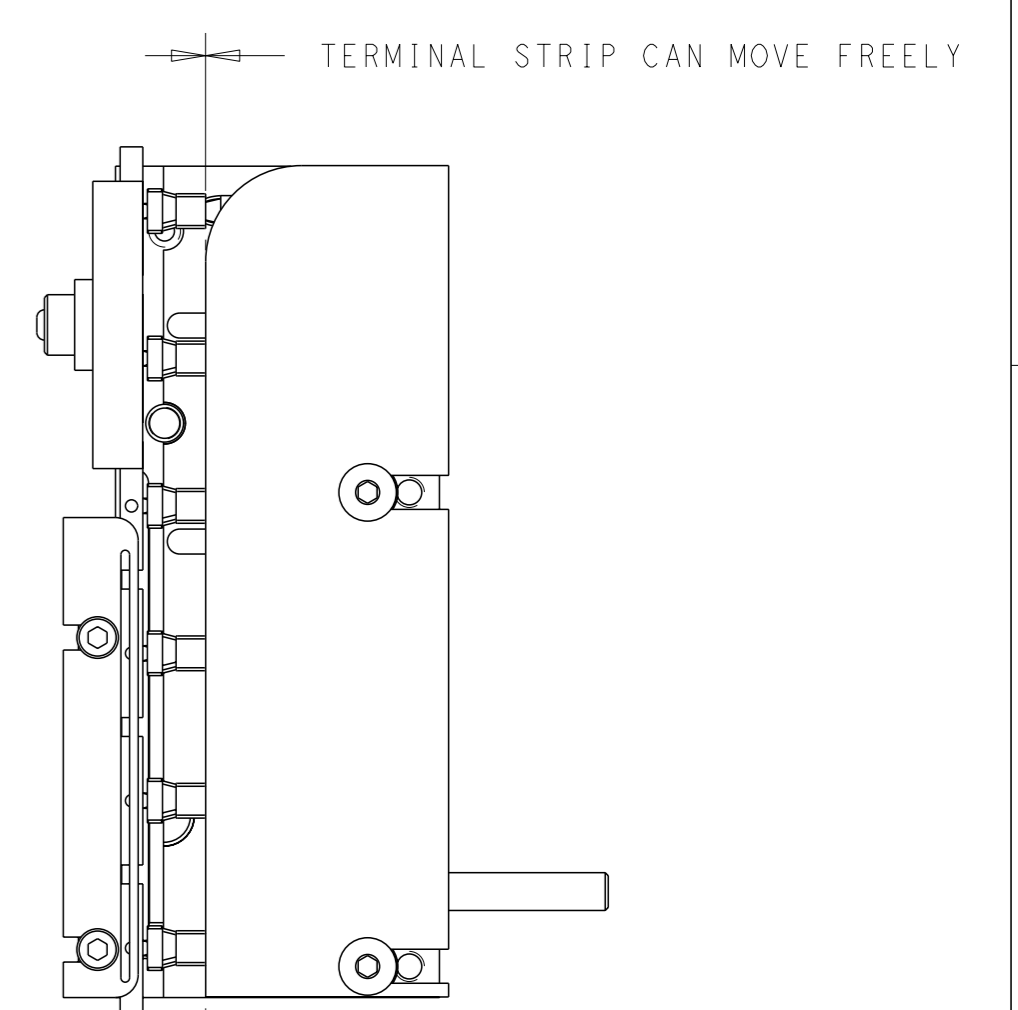
AIR FEED



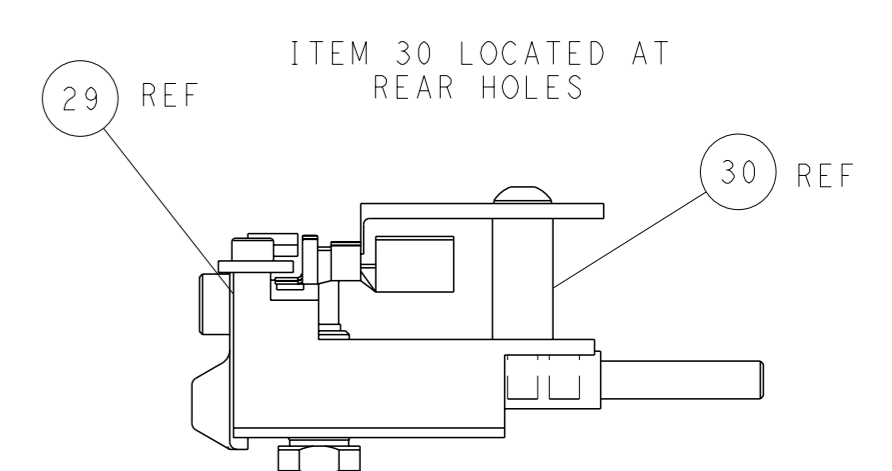
TERMINAL SUPPORT LOCATION



RAM SET-UP



TERMINAL STRIP CAN MOVE FREELY WITH A MINIMUM OF SIDE CLEARANCE



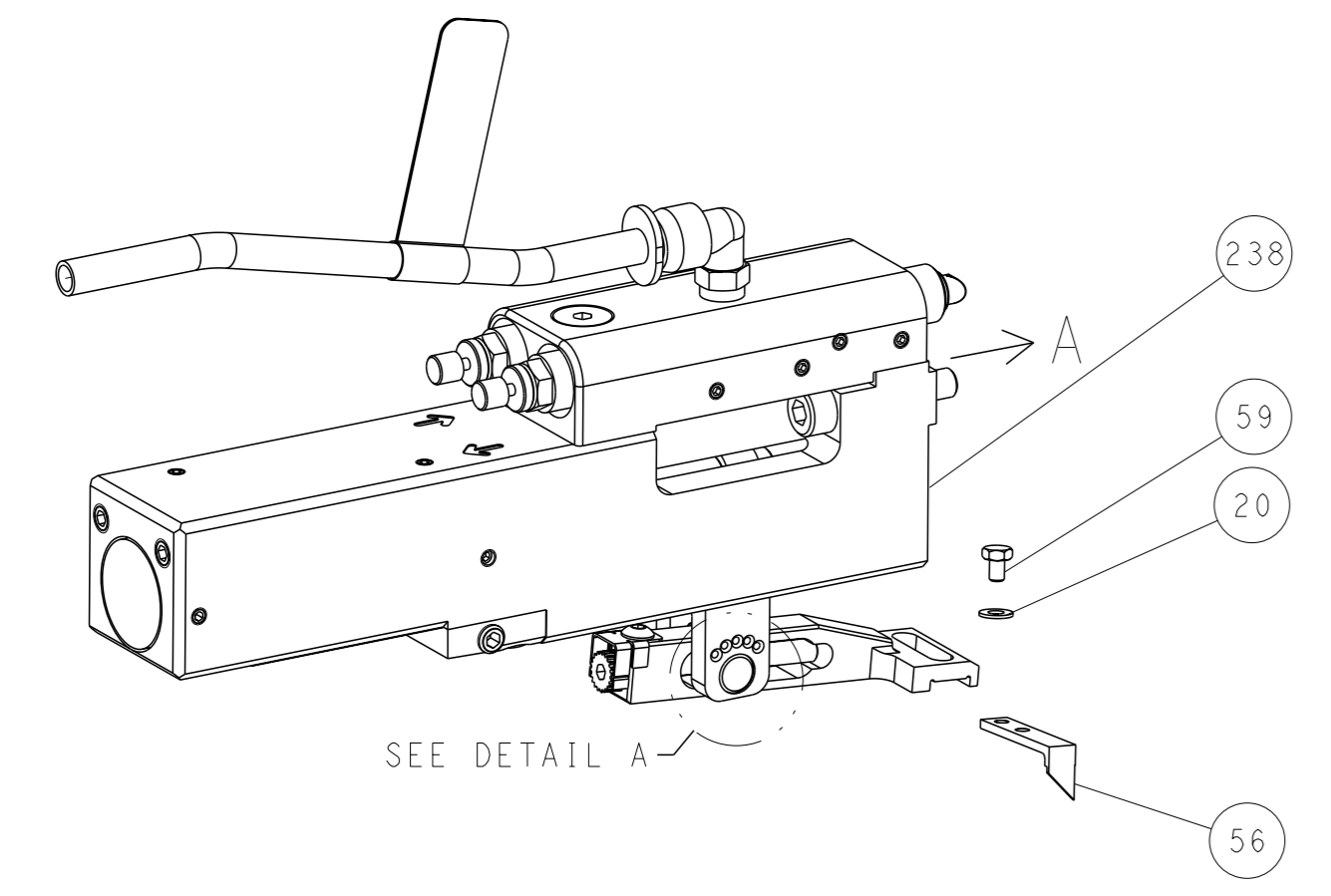
FEED TRACK POSITION GUIDE BY WIRE BARREL

ATLANTIC VERSION
 Shown on sheets 1 of 4 & 2 of 4
 (Pacific version shown on sheets 3 of 4 & 4 of 4)

DIMENSIONS:		TOLERANCES UNLESS OTHERWISE SPECIFIED:		OWN: R. KNEPPER 18JAN2012		TE Connectivity	
mm		0 PLC ±		CHK: T. ELBIN 18JAN2012		Harrisburg, PA 17105-3608	
Ø		1 PLC ±		APVD: M. CLIFFORD 18JAN2012		NAME: Ocean Side Feed Applicator	
H		2 PLC ±		PRODUCT SPEC		SIZE: CAGE CODE DRAWING NO. RESTRICTED TO	
L		3 PLC ±		APPLICATION SPEC		A1 00779 C=2151605	
R		4 PLC ±		WEIGHT		SCALE: 1:2 SHEET 2 of 4 REV H	
S		ANGLES FINISH		Customer Accessible Production Drawing		SHEETS 3 & 4 ARE NOT REQUIRED FOR ATLANTIC VERSION	

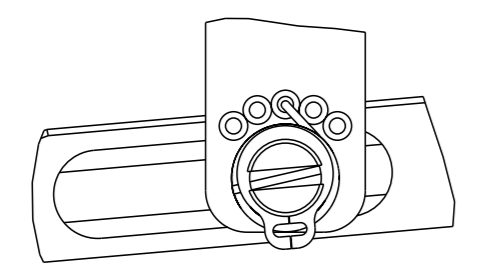
LOC	DIST	REVISIONS			
A	66	REV	DATE	OWN	APVD
-	SEE SHEET 1	-	-	-	-

FEED TYPE PNEUMATIC



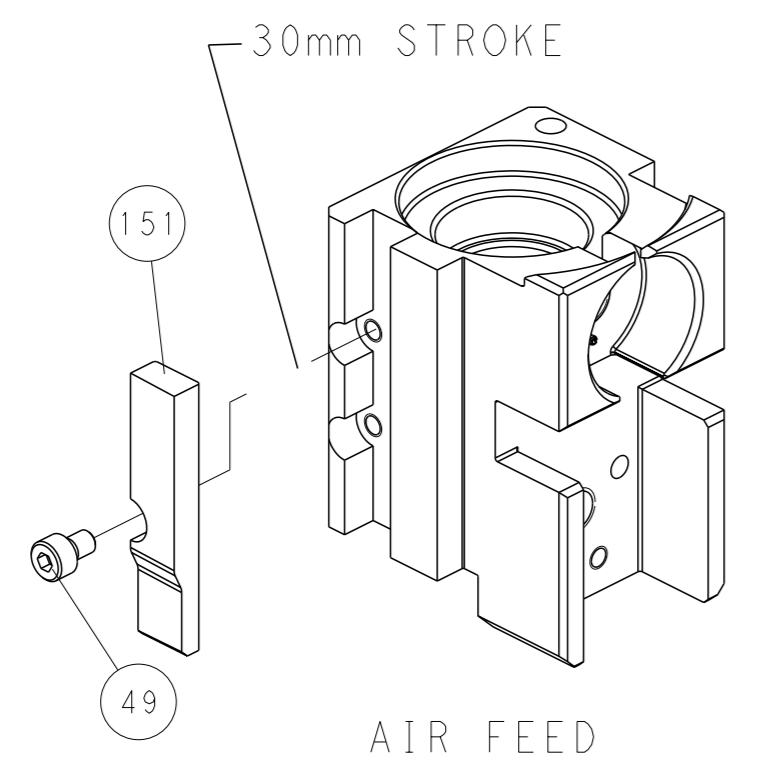
SEE DETAIL A

FEED SPRING SETTING POSITION (SHOWN FROM REAR SIDE)

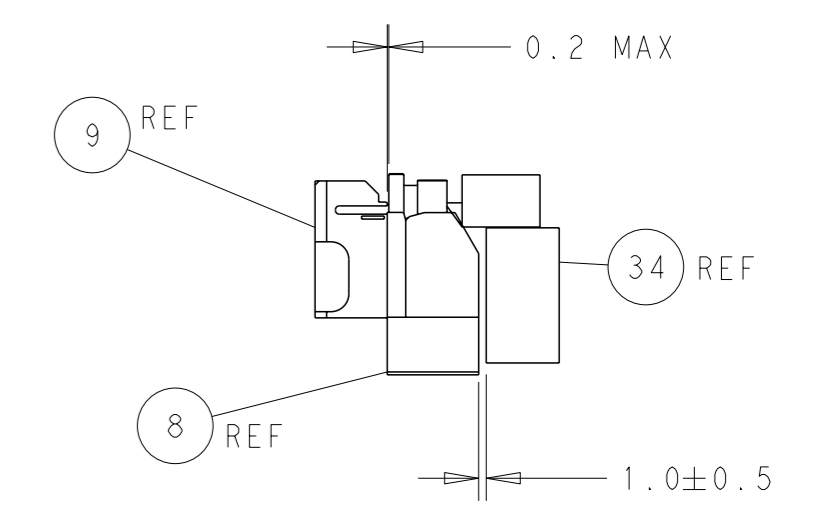
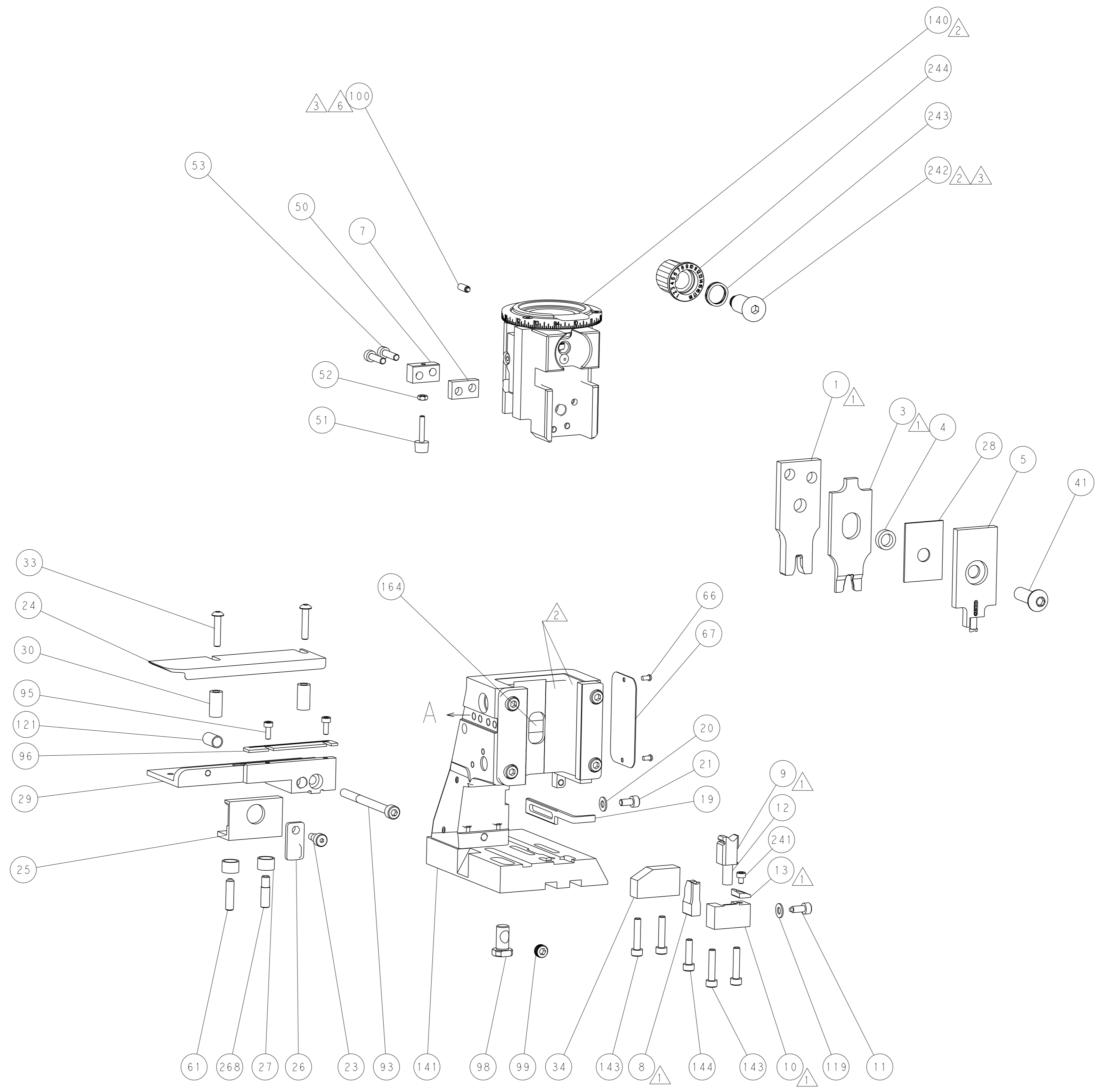


DETAIL A

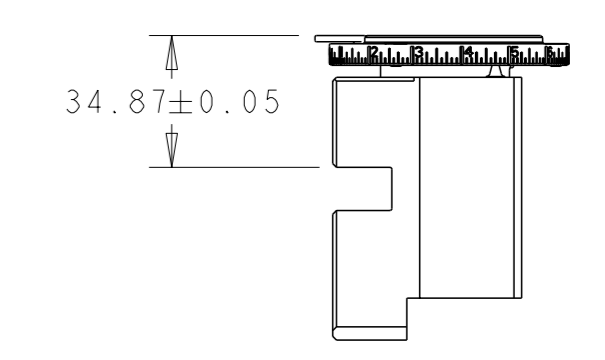
CAM POSITION



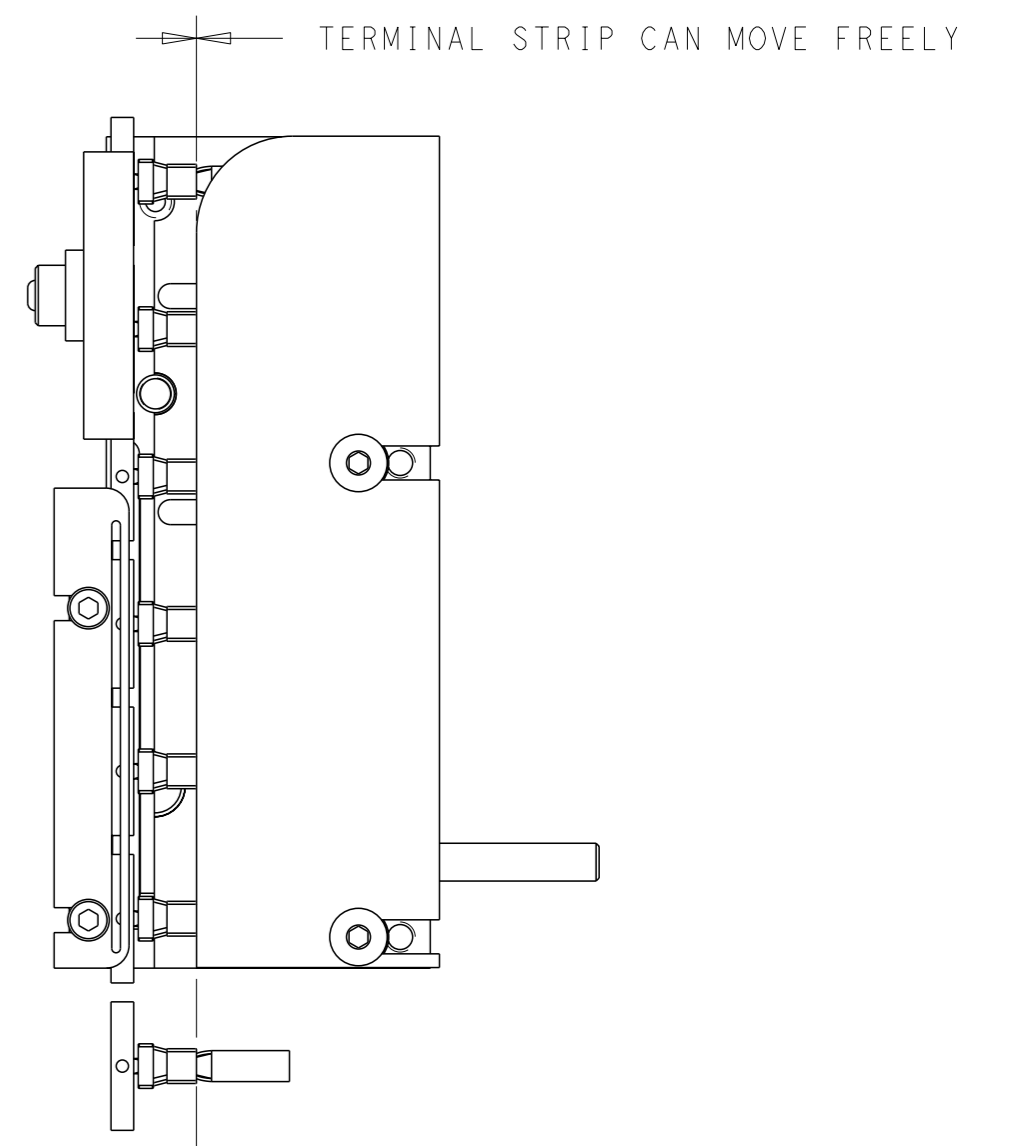
AIR FEED



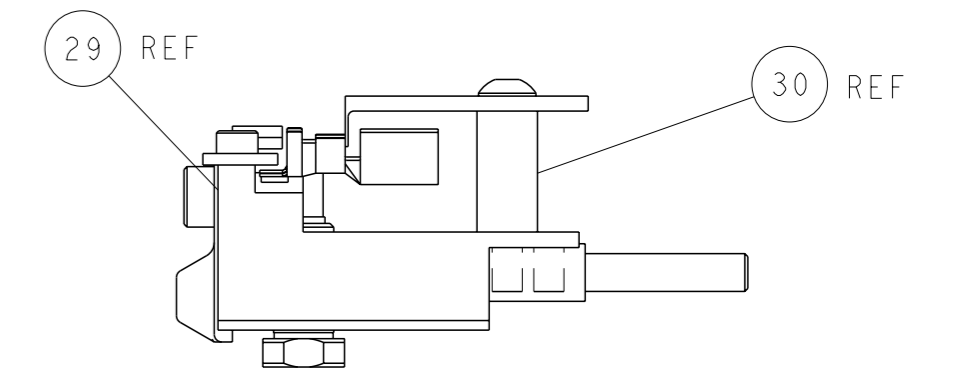
TERMINAL SUPPORT LOCATION



RAM SET-UP



ITEM 30 LOCATED AT REAR HOLES



FEED TRACK POSITION GUIDE BY WIRE BARREL

PACIFIC VERSION
 Shown on sheets 3 of 4 & 4 of 4
 (Atlantic version shown on sheets 1 of 4 & 2 of 4)

<small>THIS DRAWING IS A CONTROLLED DOCUMENT FOR TYCO ELECTRONICS CORPORATION. IT IS SUBJECT TO CHANGE AND THE CONTROLLING ORGANIZATION SHOULD BE CONTACTED FOR THE LATEST REVISION.</small>		DWN: R. KNEPPER 18JAN2012 CHK: T. ELBIN 18JAN2012 APVD: M. CLIFFORD 18JAN2012	NAME: TE Connectivity Harrisburg, PA 17105-3608
DIMENSIONS: mm TOLERANCES UNLESS OTHERWISE SPECIFIED: 0 PLC ± 1 PLC ± 2 PLC ± 3 PLC ± 4 PLC ± ANGLES FINISH ±	PRODUCT SPEC APPLICATION SPEC WEIGHT SCALE: 1:2	SIZE: A1 CAGE CODE: 00779 DRAWING NO: 2151605	RESTRICTED TO: H SHEET 4 OF 4