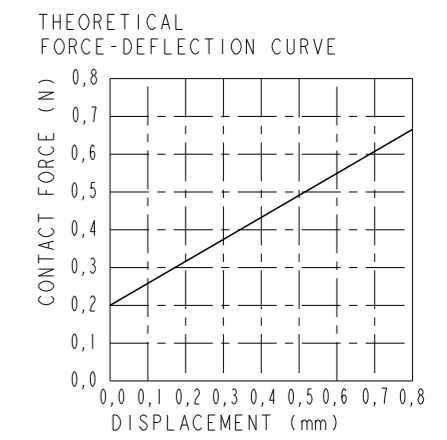
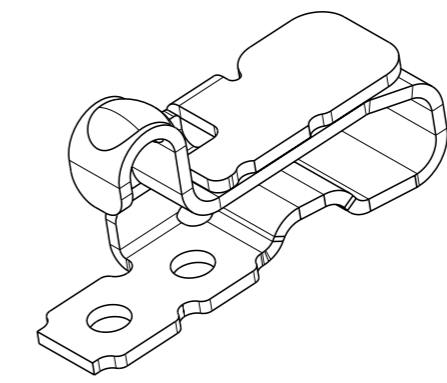
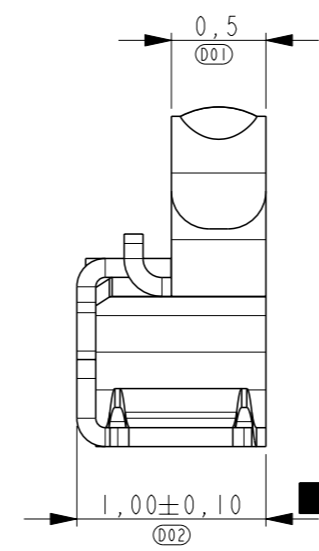
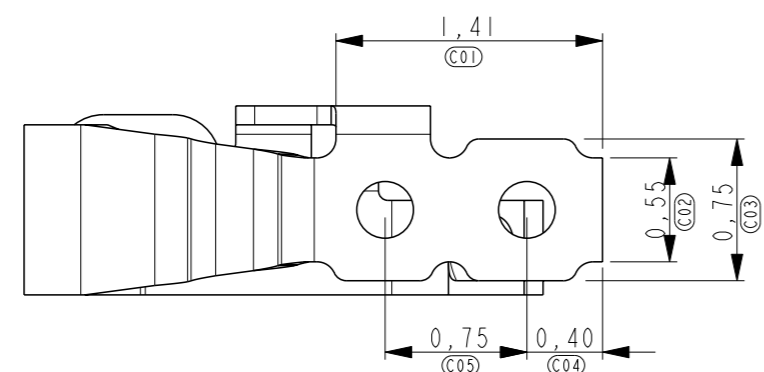
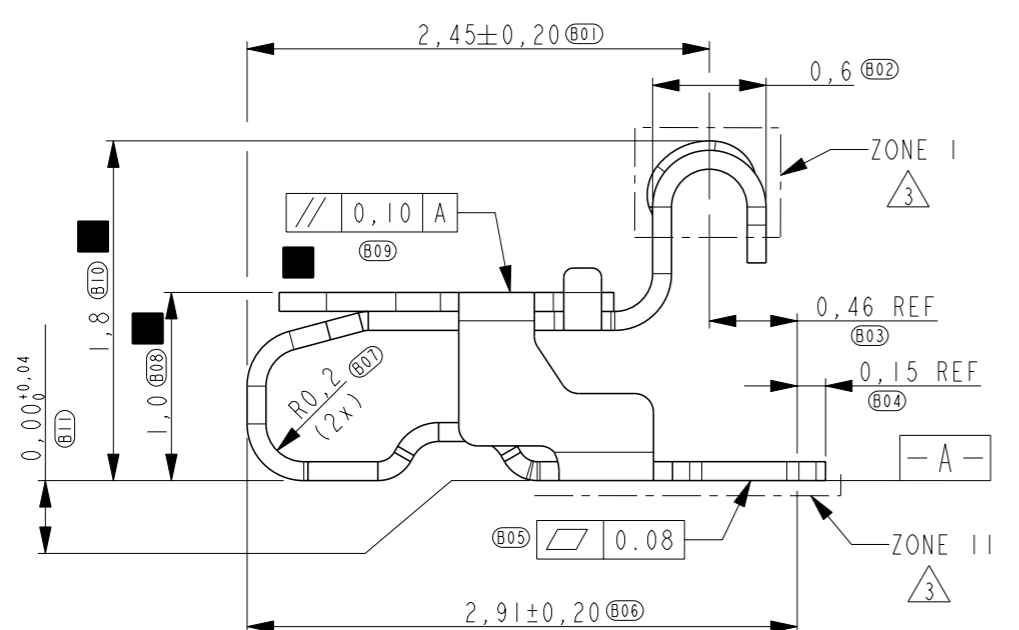
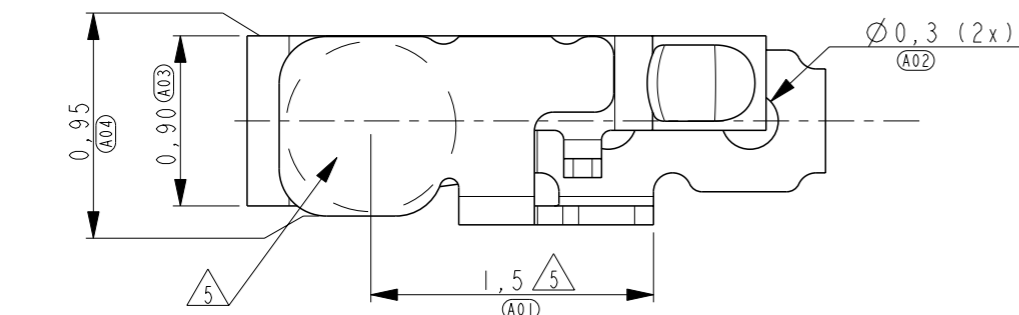


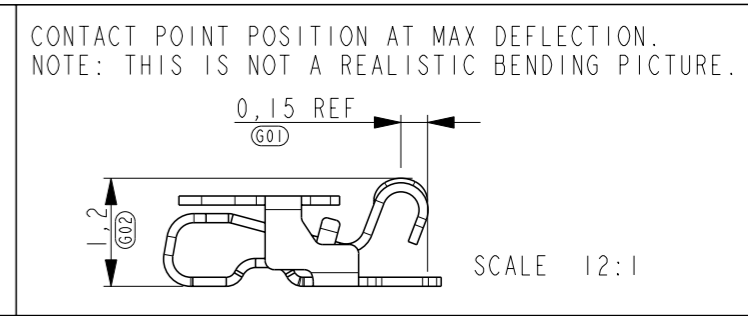
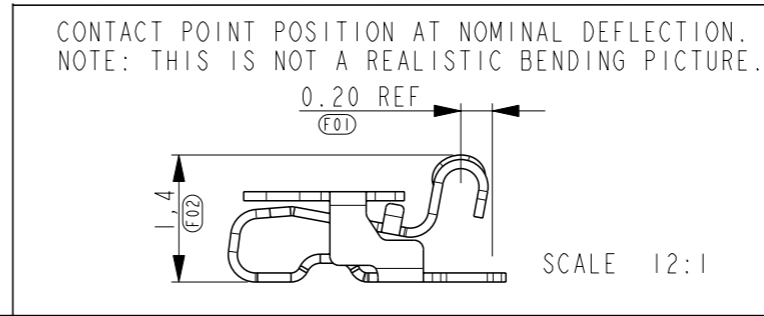
THIS DRAWING IS UNPUBLISHED. RELEASED FOR PUBLICATION

© COPYRIGHT - BY TYCO ELECTRONICS CORPORATION. ALL RIGHTS RESERVED.

LOC	DIST	REVISIONS			
P	LTR	DESCRIPTION	DATE	DWN	APVD
H	-	B	ECR-11-004258	25FEB2011	JvH DH

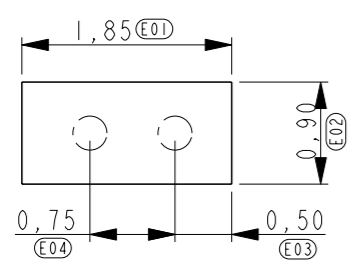


- NOTES:
- 1 PART NUMBER: 1551401-4 AS SHOWN.
  - 2 MATERIAL: TiCu.
  - 3 PLATING: 1,3µm MIN. NICKEL UNDERLAYER ALL OVER  
ZONE I: 0,50µm MIN. GOLD  
ZONE II: GOLD FLASH
  - 4 FORCE AT MIN DEFLECTION (AT 1,6mm) 0,20N MIN.  
FORCE AT MAX DEFLECTION (AT 1,2mm) 0,80N MAX.
  - 5 INDICATED SURFACE TO BE USED AS PICK AND PLACE SURFACE.  
THE DASHED LINE INDICATES A Ø0,90mm VACUUM PICKER.
  - 6 ■ = CRITICAL DIMENSION WHICH EFFECTS FORM FIT & FUNCTION

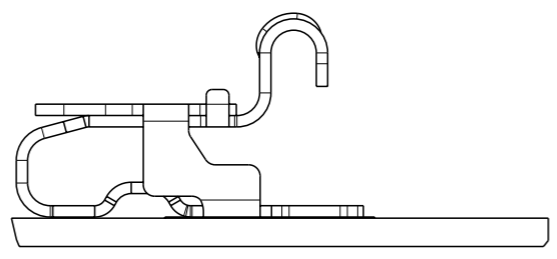


RECOMMENDED PWB LAY-OUT.

DASHED CIRCLES ARE THE LOCATION OF THE SHIELD FINGER BOTTOM HOLES.



REFERENCE VIEW FOR COMPONENT PLACEMENT



THIS DRAWING IS A CONTROLLED DOCUMENT FOR TYCO ELECTRONICS CORPORATION IT IS SUBJECT TO CHANGE AND THE CONTROLLING ENGINEERING ORGANIZATION SHOULD BE CONTACTED FOR THE LATEST REVISION.

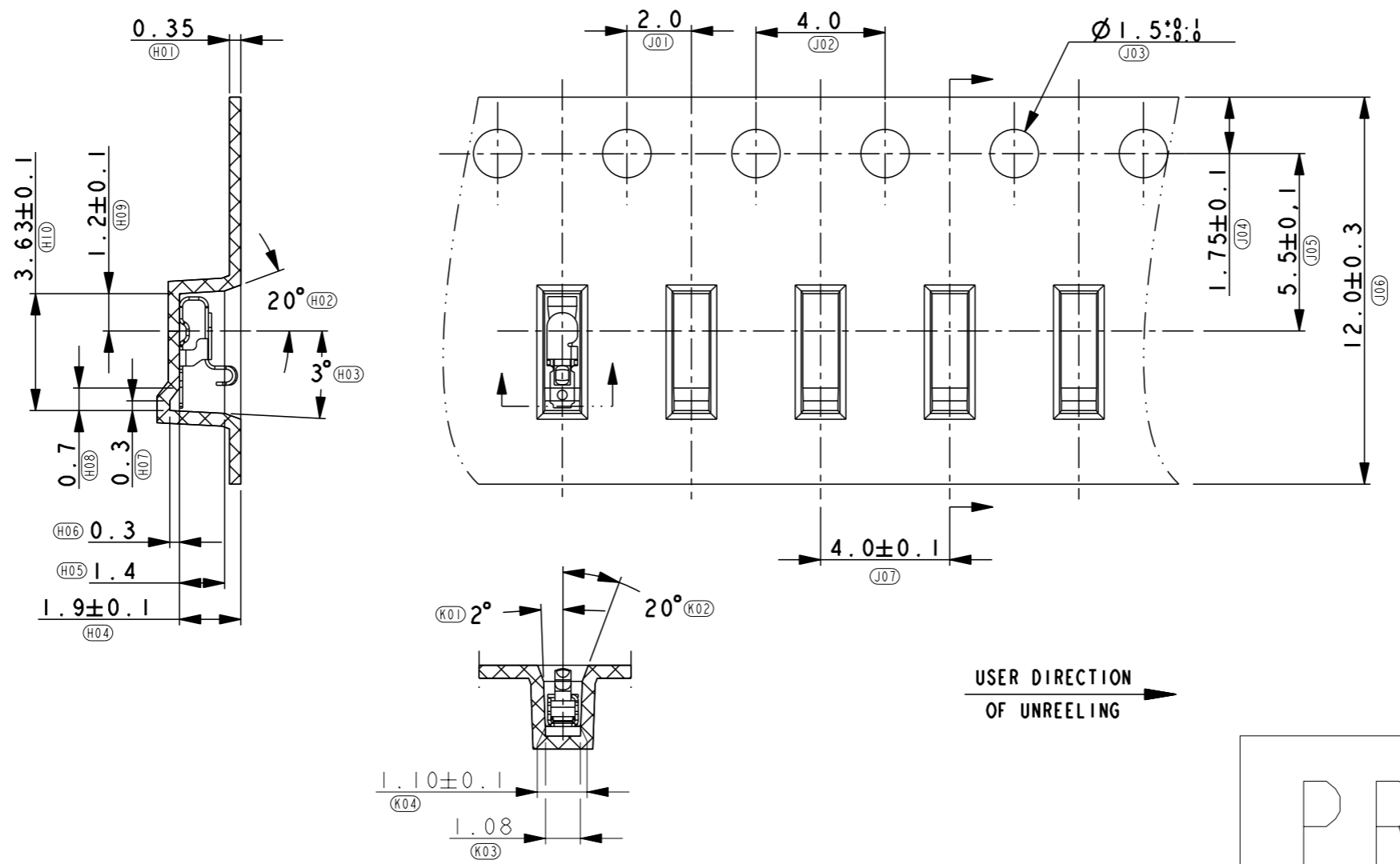
DIMENSIONS:	TOLERANCES UNLESS OTHERWISE SPECIFIED:
mm	
	0 PLC ±0,20
	1 PLC ±0,10
	2 PLC ±0,10
	3 PLC ±0,05
	4 PLC ±
	ANGLES ±
MATERIAL	FINISH
-	-

DWN	J. Haans	22-SEP-09
CHK	J. Dittner	22-SEP-09
APVD	D. Halberstadt	22-SEP-09
PRODUCT SPEC	-	
APPLICATION SPEC	-	
WEIGHT	0,0055g	
CUSTOMER DRAWING		

		Tyco Electronics Nederland BV 's-Hertogenbosch, The Netherlands	
NAME SPRING FINGER 1,8 mm RIGHT			
SIZE	CAGE CODE	DRAWING NO	RESTRICTED TO
A3	00779	C-1551401	-
SCALE 20:1		SHEET 1 OF 2	REV B

THIS DRAWING IS UNPUBLISHED. RELEASED FOR PUBLICATION  
 © COPYRIGHT - BY TYCO ELECTRONICS CORPORATION. ALL RIGHTS RESERVED.

LOC	DIST	REVISIONS			
P	LTR	DESCRIPTION	DATE	DWN	APVD
H	-	SEE SHEET 1	-	-	-



PROPOSAL

<small>THIS DRAWING IS A CONTROLLED DOCUMENT FOR TYCO ELECTRONICS CORPORATION          IT IS SUBJECT TO CHANGE AND THE CONTROLLING ENGINEERING ORGANIZATION          SHOULD BE CONTACTED FOR THE LATEST REVISION.</small>		DWN J. Haans 22-SEP-09 CHK J. Dittner 22-SEP-09 APVD D. Halberstadt 22-SEP-09		Tyco Electronics Nederland BV 's-Hertogenbosch, The Netherlands	
DIMENSIONS: mm		TOLERANCES UNLESS OTHERWISE SPECIFIED: 0 PLC ±0,20 1 PLC ±0,10 2 PLC ±0,10 3 PLC ±0,05 4 PLC ±- ANGLES ±-		NAME SPRING FINGER 1,8 mm RIGHT	
MATERIAL -		FINISH -		PRODUCT SPEC - APPLICATION SPEC - WEIGHT 0,0055g	
CUSTOMER DRAWING		SIZE A3	CAGE CODE 00779	DRAWING NO C-1551401	RESTRICTED TO -
SCALE 20:1		SHEET 2 OF 2		REV B	