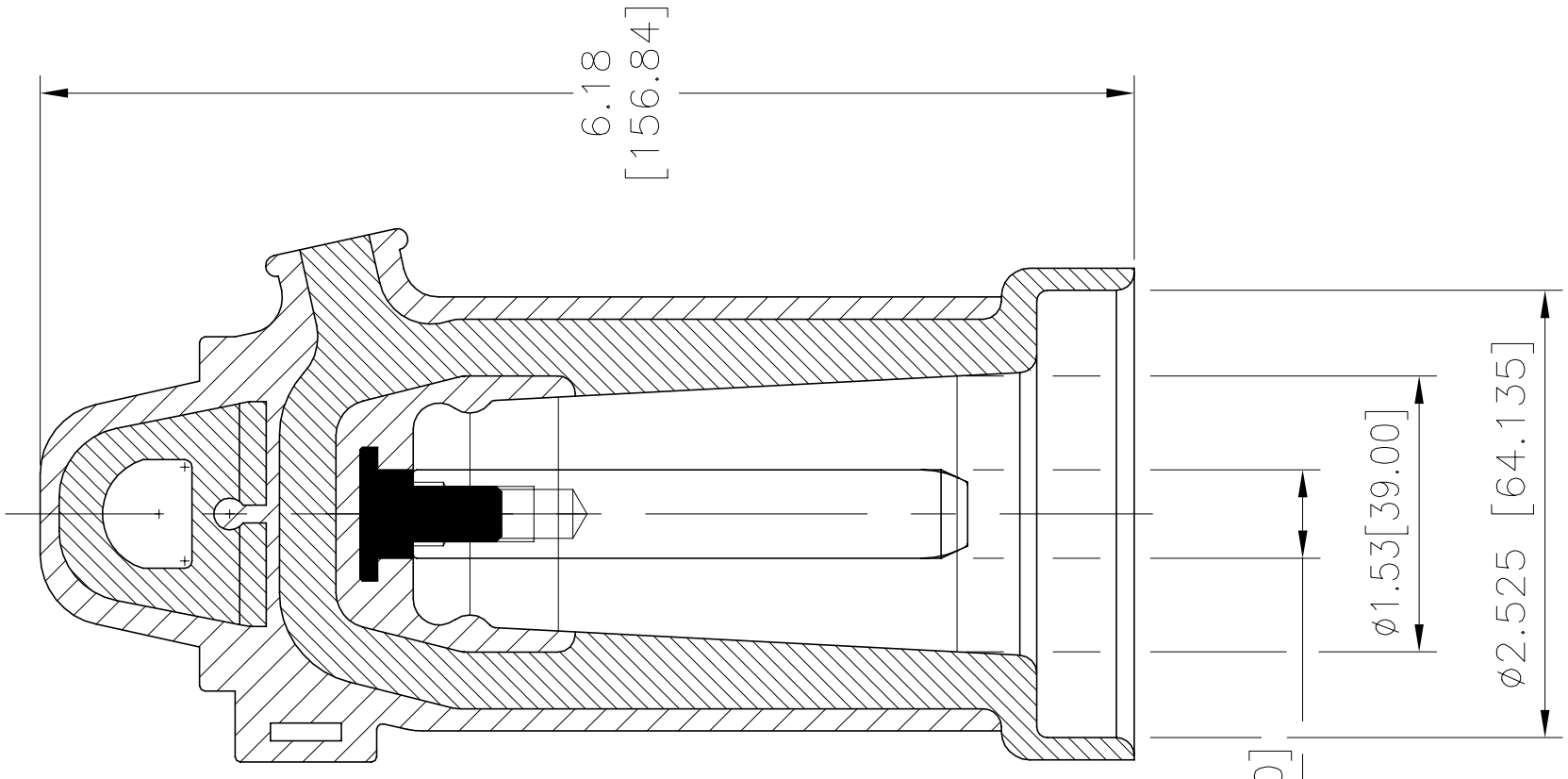


4

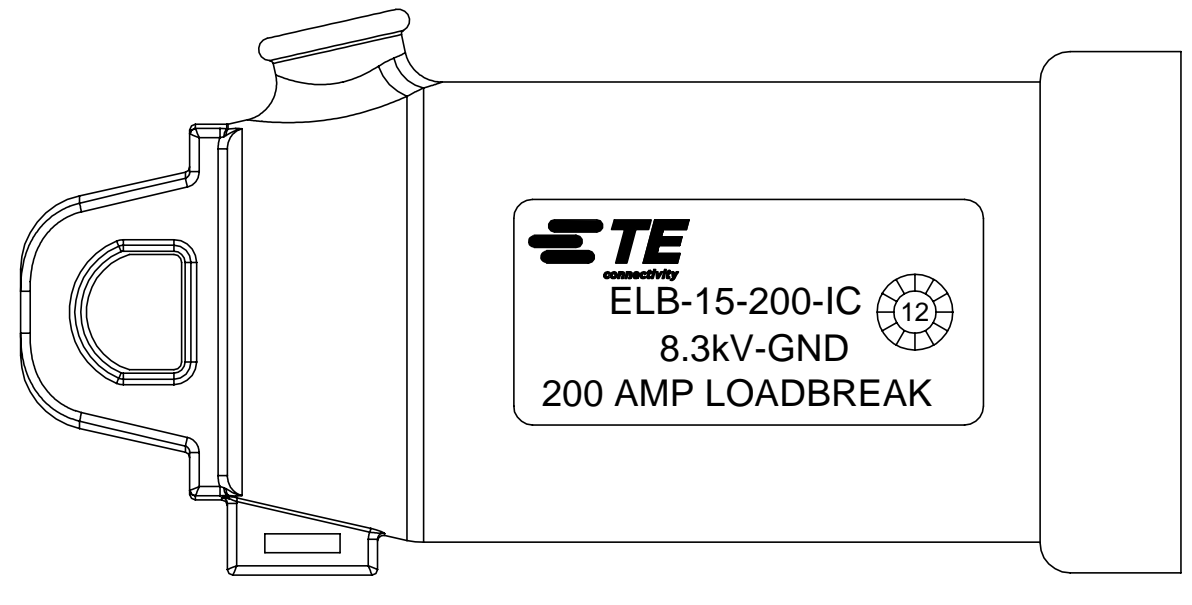
© - TE Connectivity. All Rights Reserved.

RPN	DESCRIPTION
EE5633-000	ELB-15-200-IC

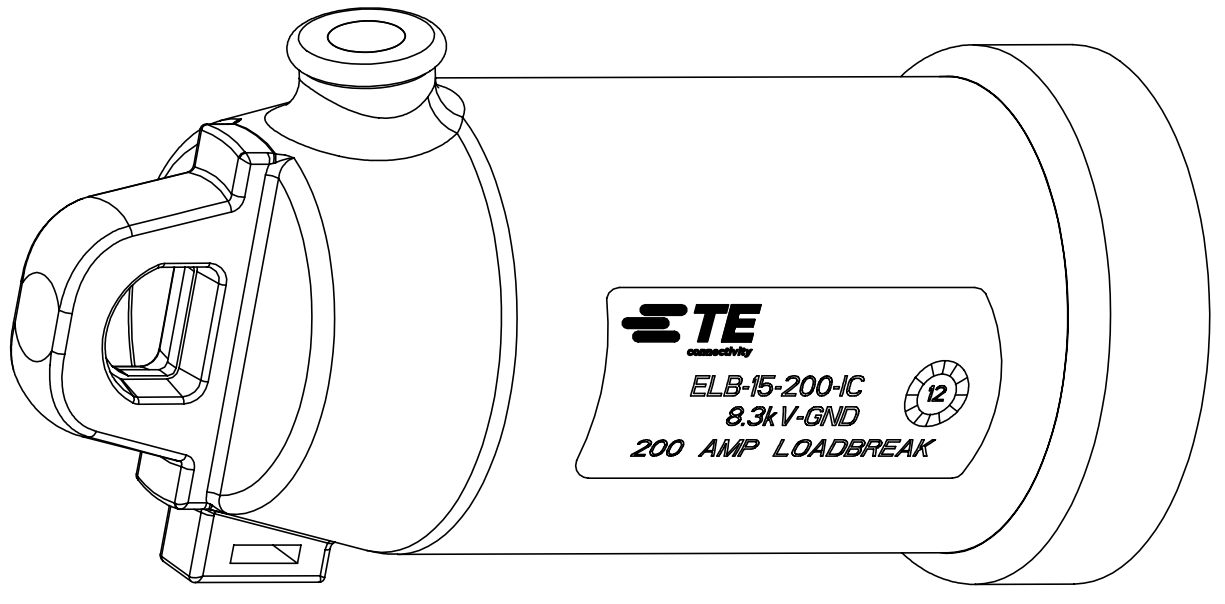
3



2



1



REVISIONS

P	LTR	DESCRIPTION	DATE	DWN	APVD
B		NEW DRAWING	17JUL2020	KR	EDW

A

DWN	17JUL2020	RAGHAVENDRA K.
CHK	17JUL2020	WILSON, DAVID E
APVD	17JUL2020	YAO, WENTAO
PRODUCT SPEC		
APPLICATION SPEC		
WEIGHT		
CUSTOMER DRAWING		

SIZE	CAGE CODE	DRAWING NO	RESTRICTED TO
A3	00779	C=NC-P5035	—
SCALE NTS			
SHEET 1 of 1			
REV B			



TE Connectivity

15KV 200A INSULATING CAP

DIMENSIONS:  
INCHES [mm]