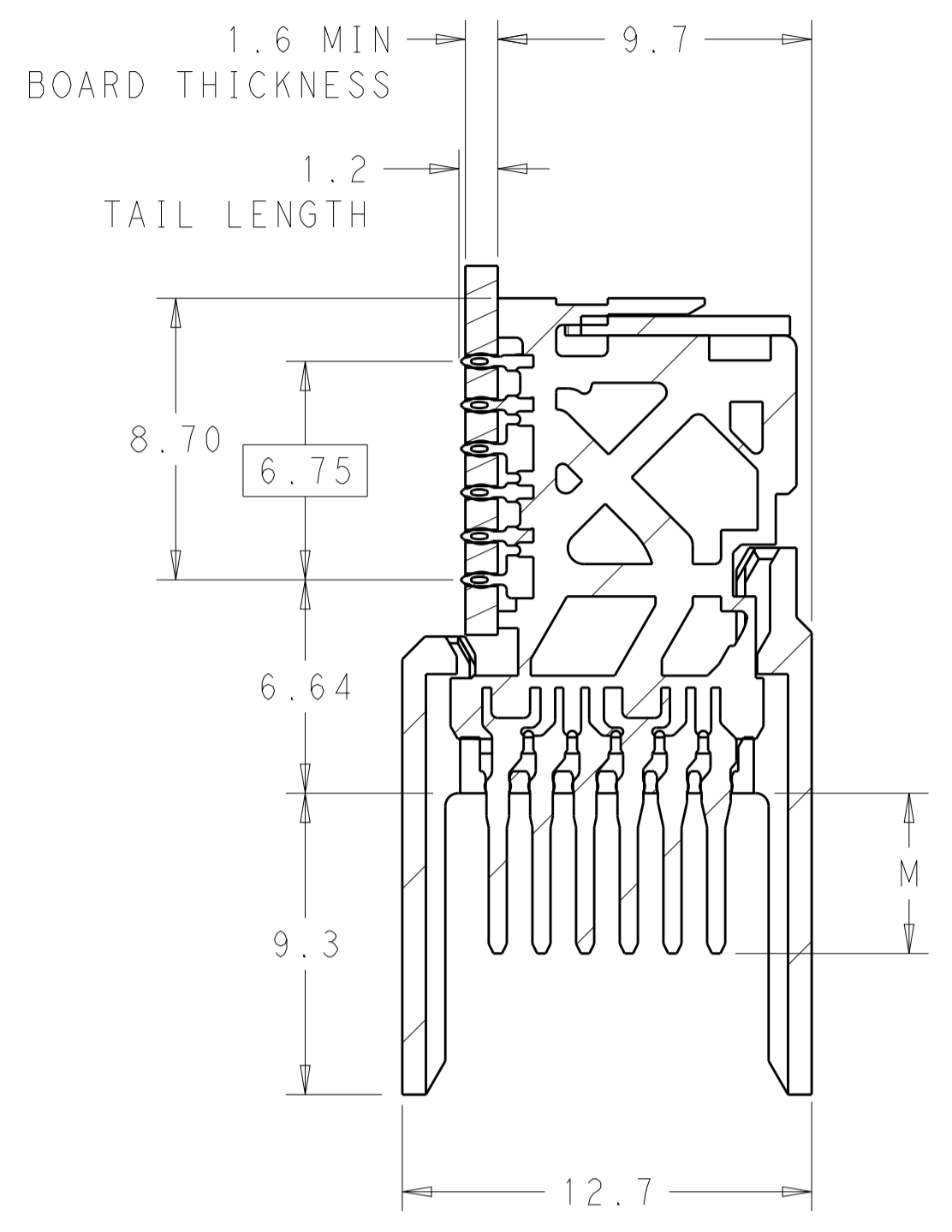
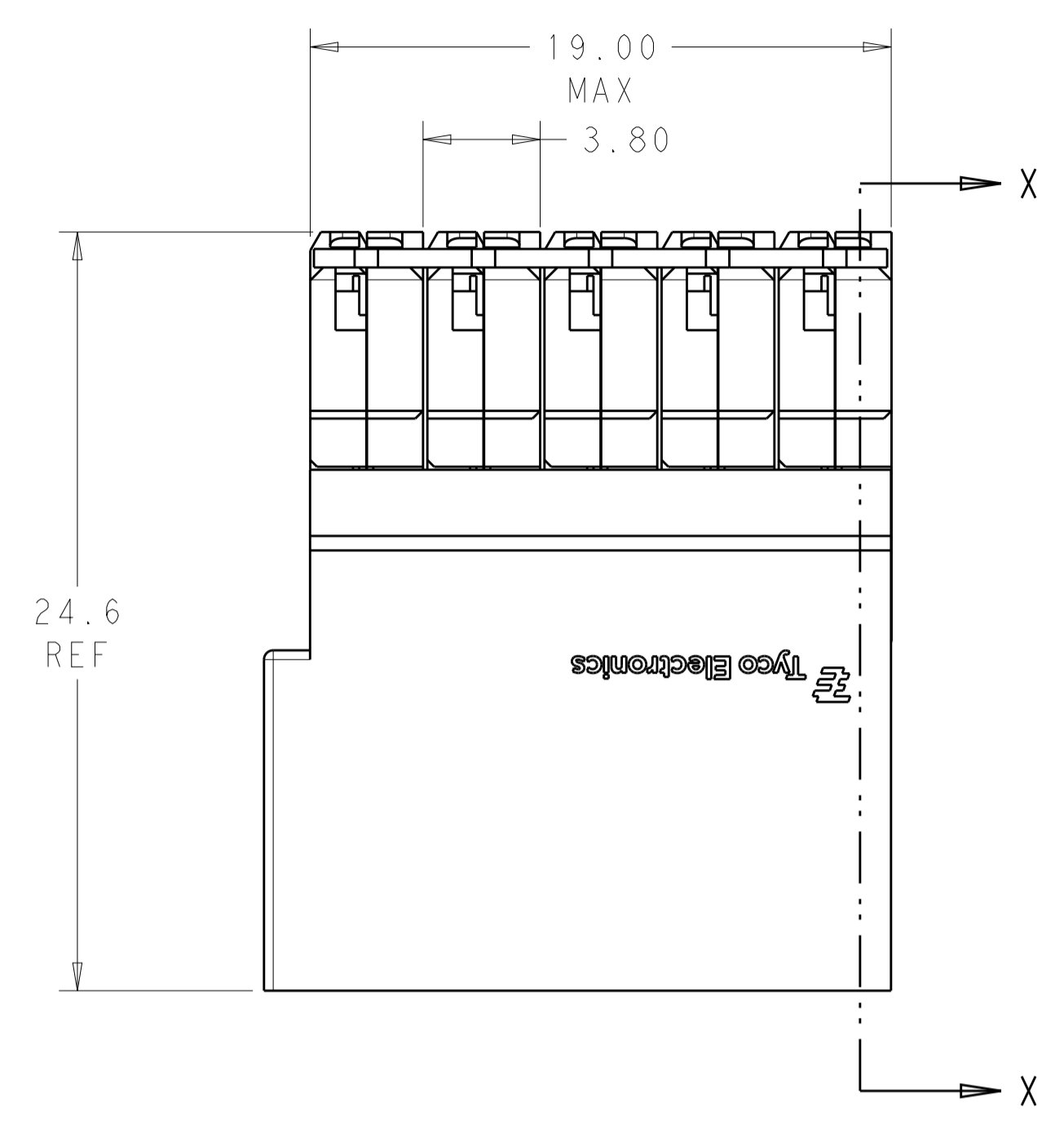


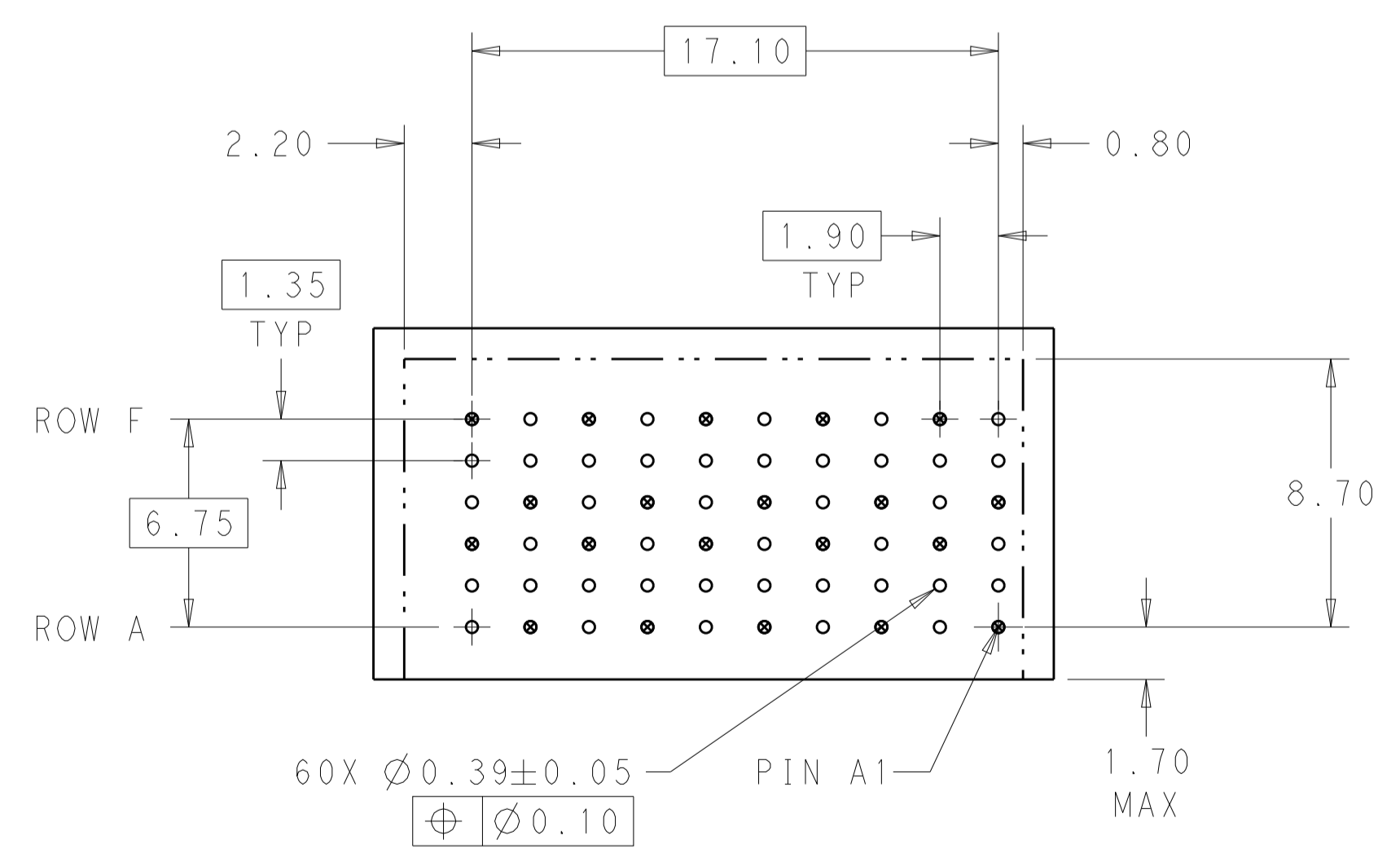
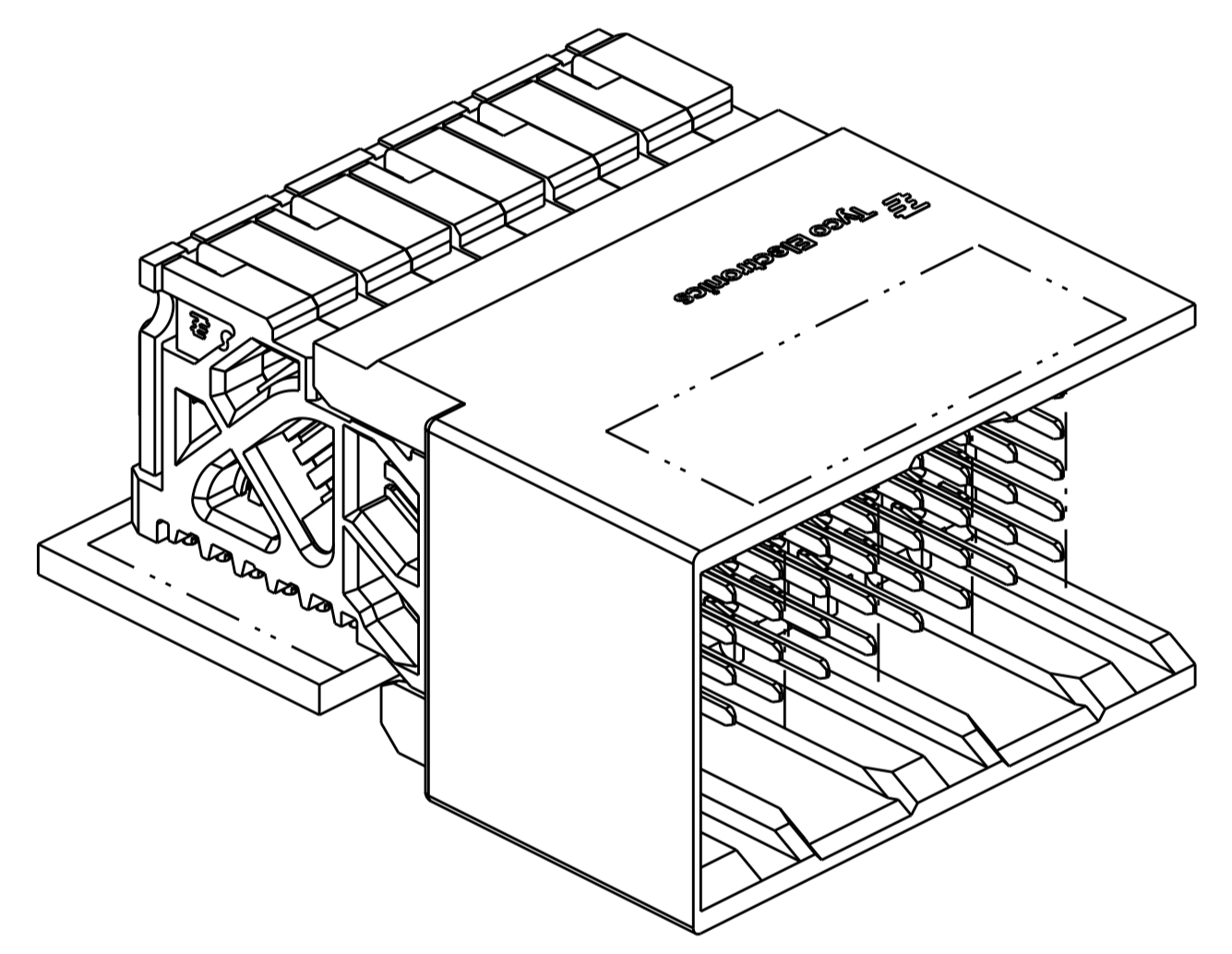
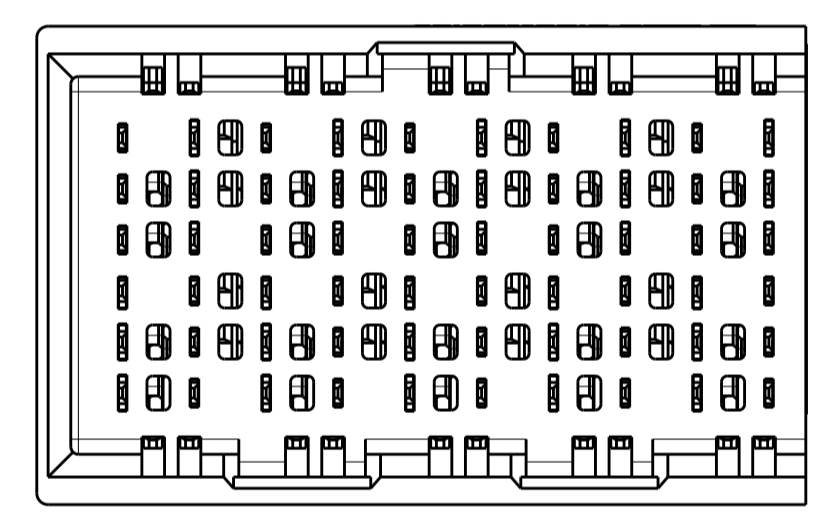
REVISIONS				
P.	LTN.	DESCRIPTION	DATE	APVD.
B1		REVISED PER ECO-15-003239	24MAR2015	AP DD



SECTION X-X



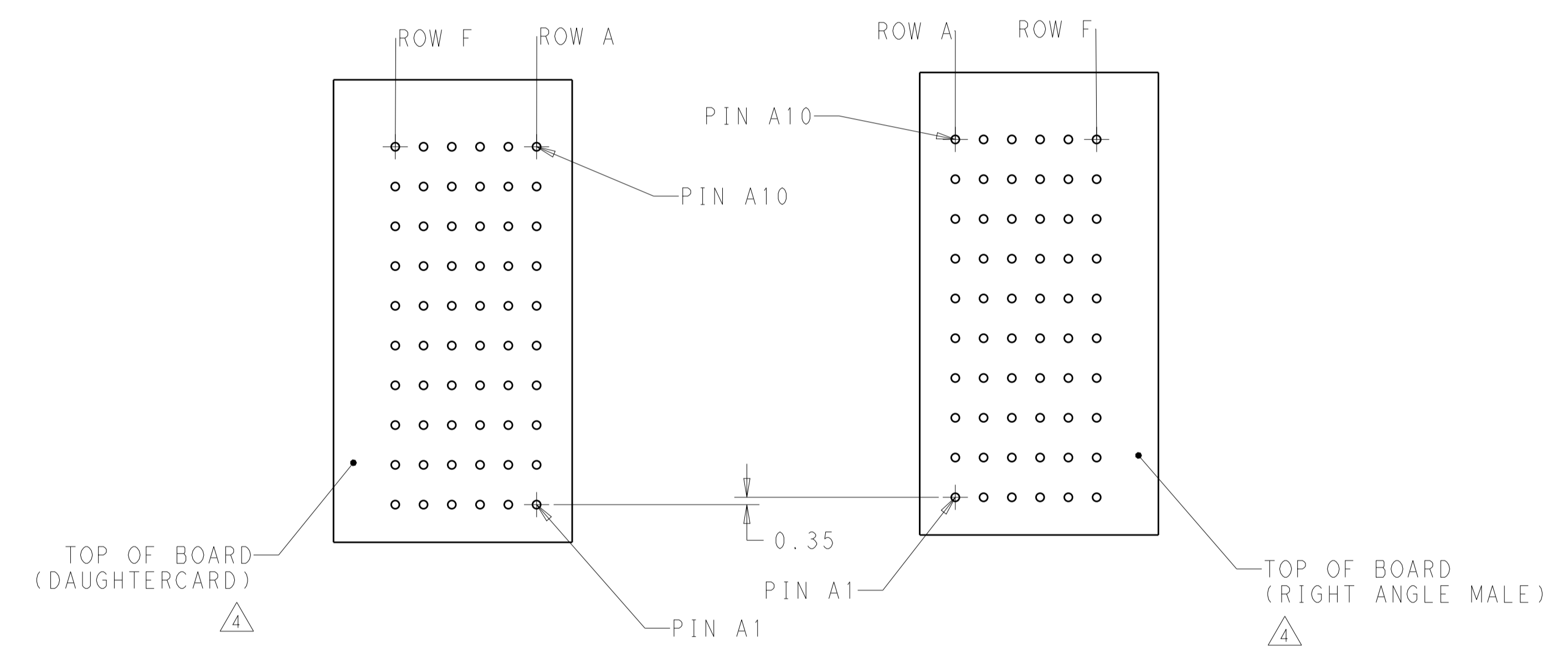
- 1 MATERIAL:
HOUSING: LCP, GLASS FILLED, UL94V-0.
TERMINALS: HIGH PERFORMANCE COPPER ALLOY.
- 2 FINISH:
30µm SELECTIVE GOLD IN CONTACT AREA. SELECTIVE TIN ON PCB TAILS, NICKEL OVERALL.
- 3 FINISH:
30µm SELECTIVE GOLD IN CONTACT AREA. SELECTIVE TIN-LEAD ON PCB TAILS, NICKEL OVERALL.
- 4 UNGUIDED RIGHT ANGLE MALE MATES TO UNGUIDED RIGHT ANGLE RECEPTACLE.



RECOMMENDED PCB LAYOUT

THIS DRAWING IS A CONTROLLED DOCUMENT.		DWN: 06APR2011	TE Connectivity
DIMENSIONS: mm		CHK: J. EARY 06APR2011	
TOLERANCES UNLESS OTHERWISE SPECIFIED:		APVD: J. EARY 06APR2011	NAME: IMPACT, STD, RAM, 2 PAIR, 10 COLUMN, UNGUIDED LEFT END WALL SIGNAL MODULE, 0.39 EYELET
0 PLC ± 1 PLC ±0.25 2 PLC ±0.13 3 PLC ± 4 PLC ± ANGLES ±	SEE TABLE FINISH:	PRODUCT SPEC: APPLICATION SPEC: SIZE: CAGE CODE DRAWING NO: WEIGHT:	RESTRICTED TO:
MATERIAL: SEE TABLE		Customer Drawing	SCALE: 5:1 SHEET 1 OF 2 REV: B1

REVISIONS				
P.	LTN.	DESCRIPTION	DATE	APVD.
-	-	SEE SHEET 1	-	-



COPLANAR MATED SIGNAL PATHS



	5.50	2143013-6
	4.90	2143013-5
	5.50	2143013-3
	4.90	2143013-2
FINISH	DIM M	PART NUMBER

REFER TO WWW.TE.COM FOR PRODUCT AVAILABILITY

THIS DRAWING IS A CONTROLLED DOCUMENT.		DWN - 06APR2011	TE Connectivity
DIMENSIONS:		CHK J. EABY 06APR2011	
TOLERANCES UNLESS OTHERWISE SPECIFIED:		APVD J. EABY 06APR2011	
mm		NAME	
	0 PLC ± 1 PLC ±0.25 2 PLC ±0.13 3 PLC ± 4 PLC ± ANGLES ± FINISH ±	PRODUCT SPEC APPLICATION SPEC SIZE CAGE CODE DRAWING NO A100779C=2143013	RESTRICTED TO
MATERIAL	SEE TABLE	WEIGHT	Customer Drawing
		SCALE 5:1	SHEET 2 OF 2
		REV B1	