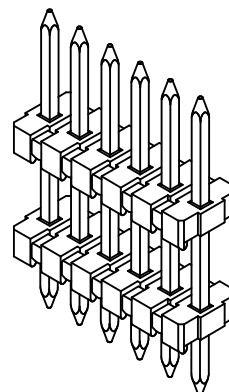
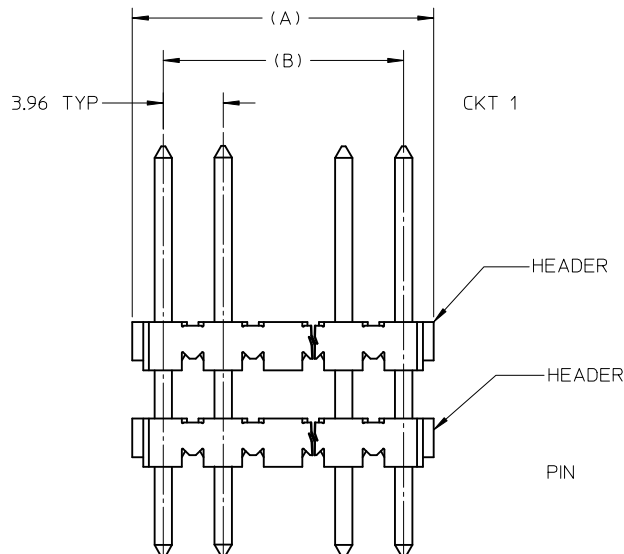
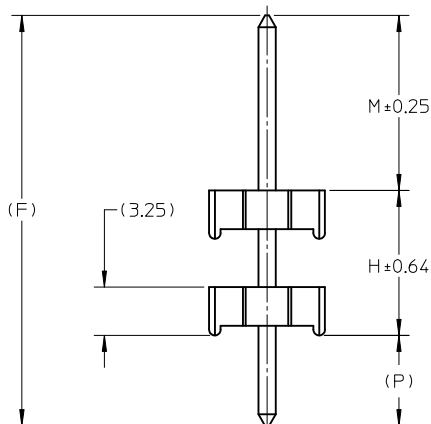


PCB LAYOUT : COMPONENT SIDE
RECOMMENDED PCB THICKNESS : 1.57



6 CKT ISO SHOWN FOR REF. ONLY

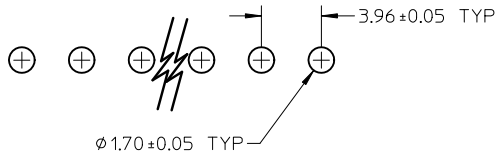
CKT SIZE	A	B
4	15.26	11.89
5	19.22	15.85
6	23.18	19.81
7	27.14	23.77
8	31.11	27.74
9	35.07	31.70
10	39.03	35.66
11	42.99	39.62
12	46.96	43.59
13	50.92	47.55
14	54.88	51.51
15	58.84	55.47
16	62.81	59.44
17	66.77	63.40
18	70.73	67.36
19	74.69	71.32
20	78.66	75.29
21	82.62	79.25
22	86.58	83.21
23	90.54	87.17
24	94.49	91.14

NOTES :

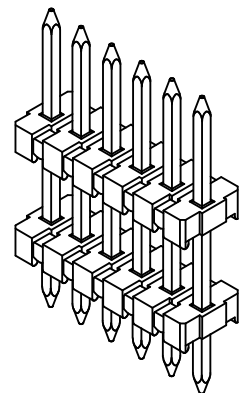
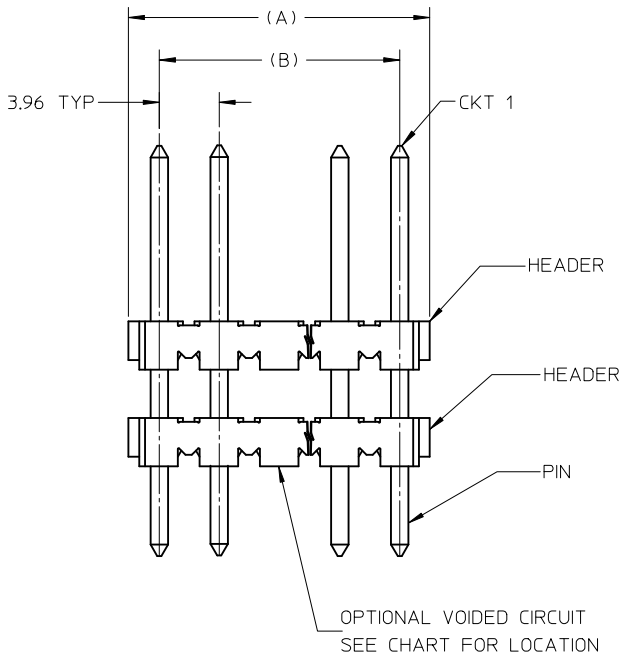
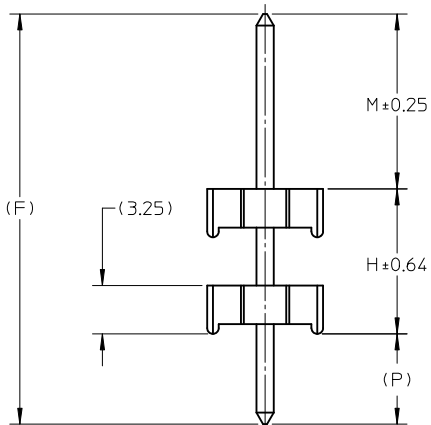
- MATERIAL :
HOUSING : POLYESTER, UL94V-0, COLOR : BLACK
PIN : 1.14MM SQ PIN BRASS.
- FINISH :
(1) : 5.08µm MIN TIN OVER 2.54µm MIN COPPER OVERALL.
(2) : 0.38µm MIN GOLD OVER 1.25µm MIN NICKEL OVERALL.
(3) : 2.50µm MIN TIN OVER 1.25µm MIN NICKEL OVERALL.
(4) : 0.38µm MIN GOLD ON CONTACT AND 2.50µm MIN TIN ON SOLDER TAIL OVER 1.25µm MIN NICKEL OVERALL.
- PRODUCT SPECIFICATION : PS-68340-014.
- PARTS ARE NOT STACKABLE ON 3.96MM CENTERS.
- PARTS TO BE PACKED PER ES-41679-A1.

OPTIONAL VOIDED CIRCUIT
SEE CHART FOR LOCATION

INITIAL RELEASE EC NO: S2010-0876 DRWN:SKANG 2010/04/23 CHKD:ATSEE 2010/04/28 APPR:MLONG 2010/05/06	DESCRIPTION A	QUALITY SYMBOLS	GENERAL TOLERANCES (UNLESS SPECIFIED)	DIMENSION STYLE	SCALE	DESIGN UNITS	THIRD ANGLE PROJECTION		
		$\nabla_A = 0$ $\nabla_C = 0$ $\nabla_P = 0$	mm INCH 4 PLACES ± --- ± --- 3 PLACES ± --- ± --- 2 PLACES ± 0.25 ± --- 1 PLACE ± --- ± --- ANGULAR ± 1/2°	MM ONLY	NTS	METRIC	DRAWN BY: SKANG DATE: 2010/04/23 CHECKED BY: ATSEE DATE: 2010/04/28 APPROVED BY: MLONG DATE: 2010/05/06	TITLE	
			DRAFT WHERE APPLICABLE MUST REMAIN WITHIN DIMENSIONS	SEE TABLE	CUSTOM HEADER 3.96MM BREAKAWAY SINGLE ROW / DUAL BODY		MOLEX INCORPORATED		SHEET NO. 1 OF 2
					THIS DRAWING CONTAINS INFORMATION THAT IS PROPRIETARY TO MOLEX INCORPORATED AND SHOULD NOT BE USED WITHOUT WRITTEN PERMISSION		DOCUMENT NO. SD-87447-002		



PCB LAYOUT : COMPONENT SIDE
RECOMMENDED PCB THICKNESS : 1.57



6 CKT ISO SHOWN FOR REF. ONLY

CKT SIZE	A	B
4	15.26	11.89
5	19.22	15.85
6	23.18	19.81
7	27.14	23.77
8	31.11	27.74
9	35.07	31.70
10	39.03	35.66
11	42.99	39.62
12	46.96	43.59
13	50.92	47.55
14	54.88	51.51
15	58.84	55.47
16	62.81	59.44
17	66.77	63.40
18	70.73	67.36
19	74.69	71.32
20	78.66	75.29
21	82.62	79.25
22	86.58	83.21
23	90.54	87.17
24	94.49	91.14

NOTES :

- MATERIAL :
HOUSING : POLYESTER, UL94V-0, COLOR : BLACK
PIN : 1.14MM SQ PIN BRASS.
- FINISH :
(1) : 5.08µm MIN TIN OVER 2.54µm MIN COPPER OVERALL.
(2) : 0.38µm MIN GOLD OVER 1.25µm MIN NICKEL OVERALL.
(3) : 2.50µm MIN TIN OVER 1.25µm MIN NICKEL OVERALL.
(4) : 0.38µm MIN GOLD OVER 2.50µm MIN TIN OVER 1.25µm MIN NICKEL OVERALL.
- PRODUCT SPECIFICATION : PS-68340-014.
- PARTS ARE NOT STACKABLE ON 3.96MM CENTERS.

REVISED EC NO: S2010-0518 DRWN:SKANG CHKD:ATSEE APPR:MLONG 2009/12/21 2010/01/08 2010/01/09	QUALITY SYMBOLS	GENERAL TOLERANCES (UNLESS SPECIFIED)	DIMENSION STYLE	SCALE	DESIGN UNITS	THIRD ANGLE PROJECTION
	▽=0 ∇=0	mm INCH 4 PLACES ± --- ± --- 3 PLACES ± --- ± --- 2 PLACES ± 0.25 ± --- 1 PLACE ± --- ± --- ANGULAR ± 1/2°	MM ONLY	NTS	METRIC	
	DESCRIPTION	DRAFT WHERE APPLICABLE MUST REMAIN WITHIN DIMENSIONS	DRAWN BY DATE	TITLE	CUSTOM HEADER 3.96MM BREAKAWAY SINGLE ROW / DUAL BODY	
	REV	SIZE	SKANG 2009/06/15	MLONG 2010/01/08	MOLEX INCORPORATED	
A1	A3	SEE TABLE	MATERIAL NO.	DOCUMENT NO.	SD-87447-001	
			THIS DRAWING CONTAINS INFORMATION THAT IS PROPRIETARY TO MOLEX INCORPORATED AND SHOULD NOT BE USED WITHOUT WRITTEN PERMISSION			

10 | 9 | 8 | 7 | 6 | 5 | 4 | 3 | 2 | 1

MATERIAL NUMBER	PLATING REFERENCE	DIM F PIN LENGTH	DIM M LENGTH	DIM H HEADER SPACING	DIM P P.C. LENGTH	CKT SIZE	VOIDED CKT NO.	PACK PER
87447-0001	4	43.18	22.23	15.87	5.08	4	3	ES-41679-A1

REVISED EC NO: S2010-0518 DRWN:SKANG CHKD:ATSEE APPR:MLONG 2009/12/21 2010/01/08 2010/01/09	QUALITY SYMBOLS	GENERAL TOLERANCES (UNLESS SPECIFIED)	DIMENSION STYLE	SCALE	DESIGN UNITS	THIRD ANGLE PROJECTION															
	▼=0 □=0	<table border="1"> <tr> <td></td> <td>mm</td> <td>INCH</td> </tr> <tr> <td>4 PLACES</td> <td>± ---</td> <td>± ---</td> </tr> <tr> <td>3 PLACES</td> <td>± ---</td> <td>± ---</td> </tr> <tr> <td>2 PLACES</td> <td>± 0.25</td> <td>± ---</td> </tr> <tr> <td>1 PLACE</td> <td>± ---</td> <td>± ---</td> </tr> </table> ANGULAR ± 1/2°		mm	INCH	4 PLACES	± ---	± ---	3 PLACES	± ---	± ---	2 PLACES	± 0.25	± ---	1 PLACE	± ---	± ---	MM ONLY	NTS	METRIC	
		mm	INCH																		
	4 PLACES	± ---	± ---																		
3 PLACES	± ---	± ---																			
2 PLACES	± 0.25	± ---																			
1 PLACE	± ---	± ---																			
DESCRIPTION	DRAFT WHERE APPLICABLE MUST REMAIN WITHIN DIMENSIONS	DRAWN BY: SKANG CHECKED BY: ATSEE APPROVED BY: MLONG DATE: 2009/06/15 DATE: 2009/06/26 DATE: 2010/01/08	TITLE	CUSTOM HEADER 3.96MM BREAKAWAY SINGLE ROW / DUAL BODY		MOLEX INCORPORATED															
A1		SEE TABLE	MATERIAL NO.	DOCUMENT NO.	SHEET NO.																
			SIZE: A3	THIS DRAWING CONTAINS INFORMATION THAT IS PROPRIETARY TO MOLEX INCORPORATED AND SHOULD NOT BE USED WITHOUT WRITTEN PERMISSION			2 OF 2														

9 | 8 | 7 | 6 | 5 | 4 | 3 | 2 | 1