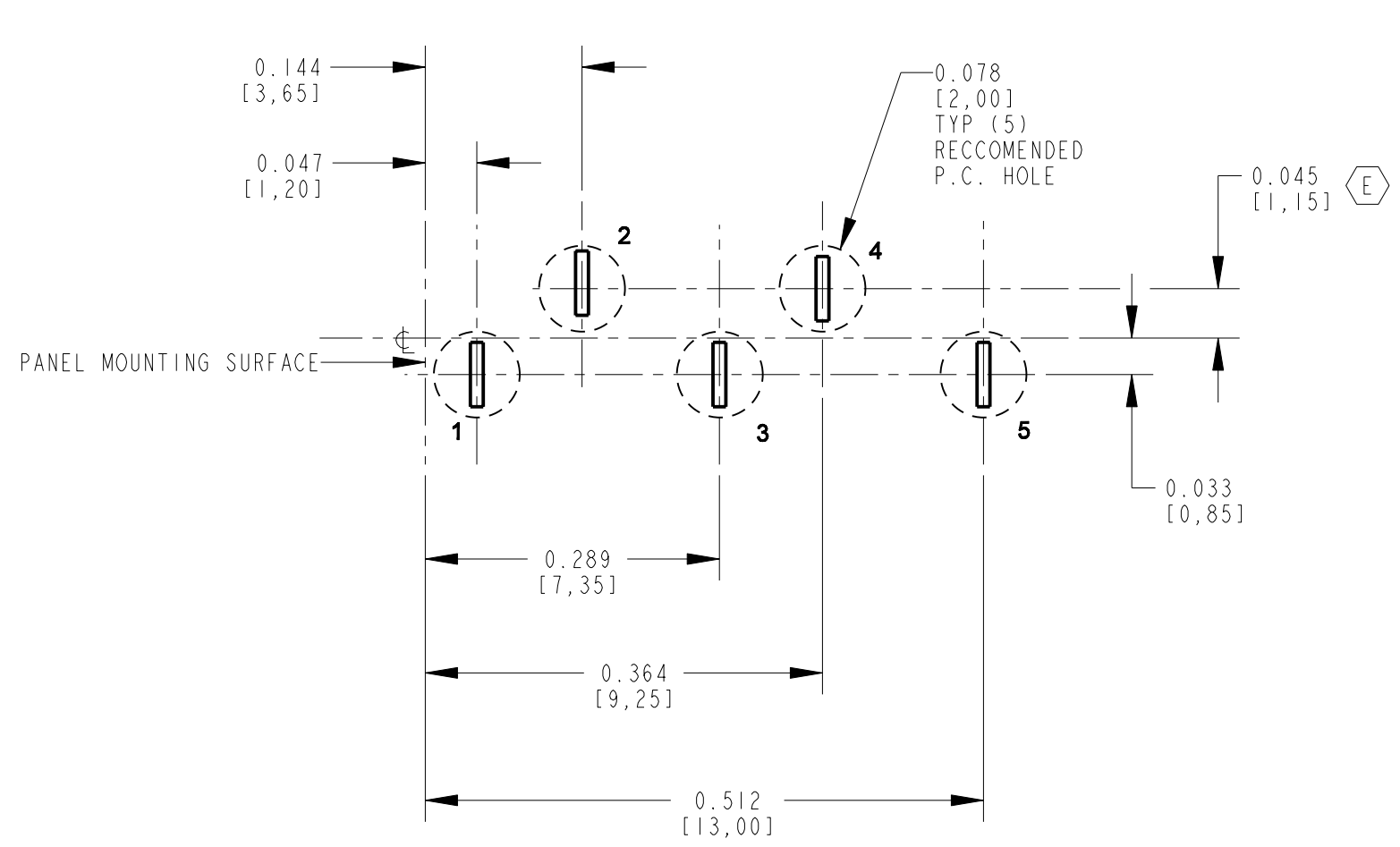
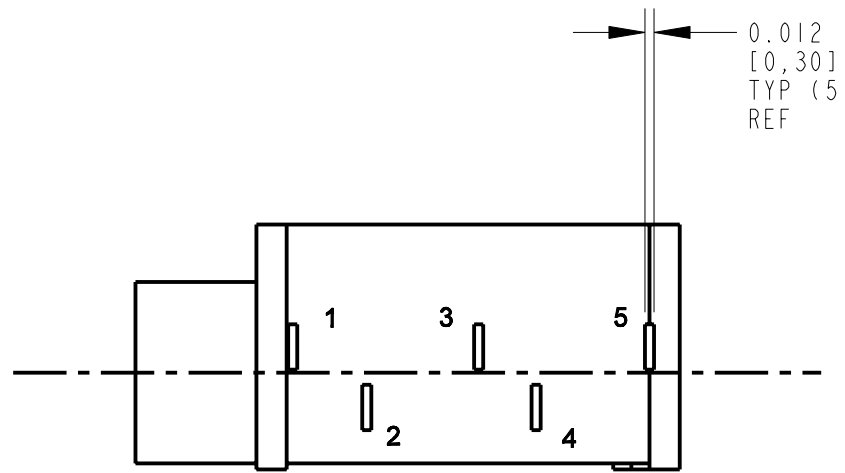
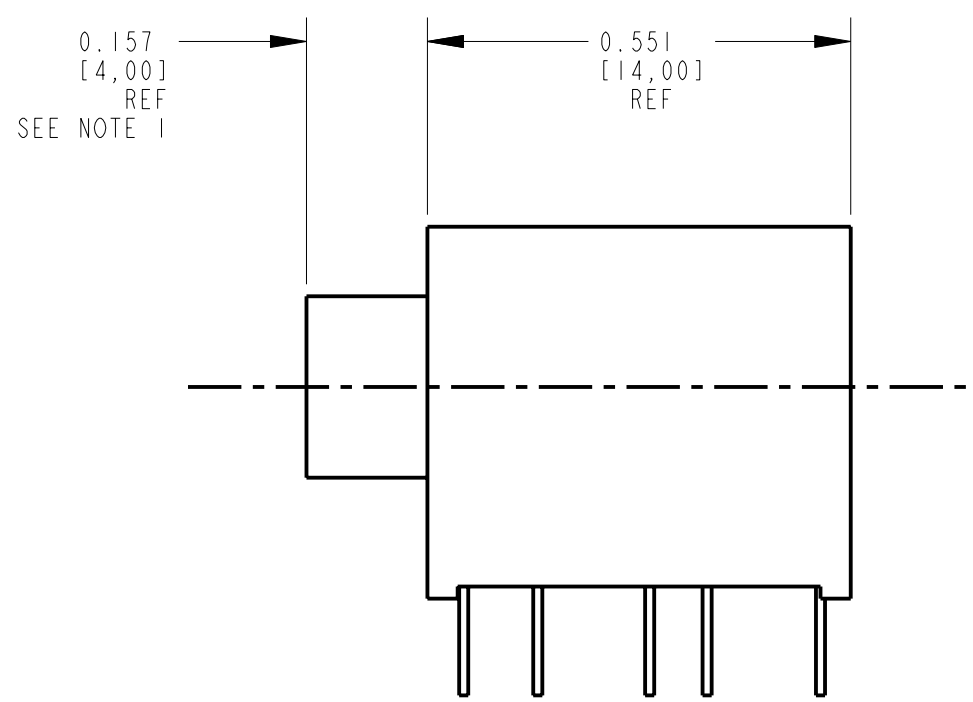
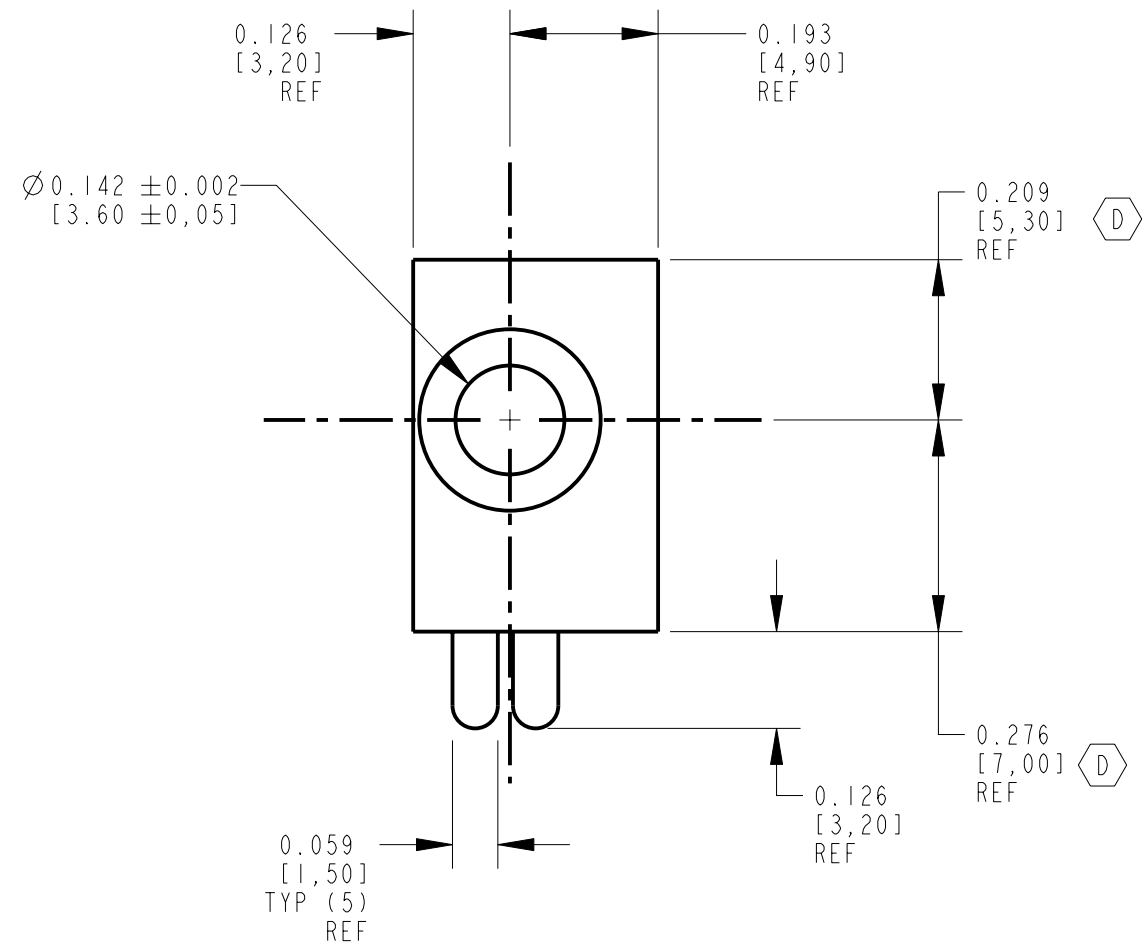


SCALE 4:1



PART NO.	SCHEMATIC
35RAPC3BVN4	
35RAPC4BVN4	
35RAPC2BVN4	
35RAPC2AVN4	

- NOTES:
- ELECTRICAL:
CONTACT RESISTANCE: 20 MILLIOHMS MAX, INITIAL
50 MILLIOHMS MAX, AFTER LIFE
INSULATION RESISTANCE: 50 MEGAOHMS MIN. AT 500 VDC
DIELECTRIC WITHSTANDING VOLTAGE: 250 VAC
 - MECHANICAL:
LIFE: 5000 CYCLES
INSERTION FORCE: 0,4 KG TO 1,6 KG
WITHDRAWAL FORCE: 0,4 KG TO 1,4 KG
 - MATERIALS:
HOUSING: PBT +15% GLASS FILLED, BLACK, UL94V0
BUSHING: BRASS, NICKEL PLATED
SPRINGS: COPPER ALLOY, SILVER PLATED
COVER: POLYCARBONATE, CLEAR, UL94V0.
 - THIS PRODUCT IS RoHS COMPLIANT.

REV	ECO NUMBER	DATE	BY	APVD
F	27551	8-4-15	TO	TJK
E	27312	6-19-14	TJK	TJK
D	26658	11-10-10	TO	TJK
C	ECO #21148	6-4-97	OM	JJ
B	ECO #20182	8-26-95	SG	TAO
A	RELEASE TO MFG. ECO #19561	5-4-95	SG	GHJ

★ STAR SYMBOL DENOTES CRITICAL DIMENSION

UNLESS OTHERWISE SPECIFIED

1. ALL DIMENSIONS IN INCHES
- TWO PLACE DECIMALS ±0.01
- THREE PLACE DECIMALS ±0.005
- FRACTIONAL DIMENSIONS ±1/64
- ANGLES ±1°
- ALL DIA. CONCENTRIC WITHIN 0.005 T.I.R.

2. FEATURES ON THE SAME CENTERLINE MUST BE ALIGNED WITHIN ±0.002

3. REMOVE ALL BURRS

DO NOT SCALE DRAWING

THIS DRAWING DESCRIBES A DESIGN CONSIDERED PROPRIETARY IN NATURE, DEVELOPED AND MANUFACTURED BY SWITCHCRAFT INC. AND IS RELEASED ON A CONFIDENTIAL BASIS FOR IDENTIFICATION PURPOSES ONLY.				
SIZE	WIDTH	MULT	LBS/M	TEMPER
FINISH		MATERIAL		
SPEC No.		SPEC No.		
FIRST USED ON		SCALE		
		4:1		
DATE DRAWN	BY	CHKD	APVD	
4-May-95	SG	SG	GHJ	
NAME		PART No.		
3.5 MM VERTICAL, NON THREADED MONO/STEREO JACK, RoHS		35RAPC_VN4		
SHEET				REV
1 OF 1				F

CUSTOMER DRAWING