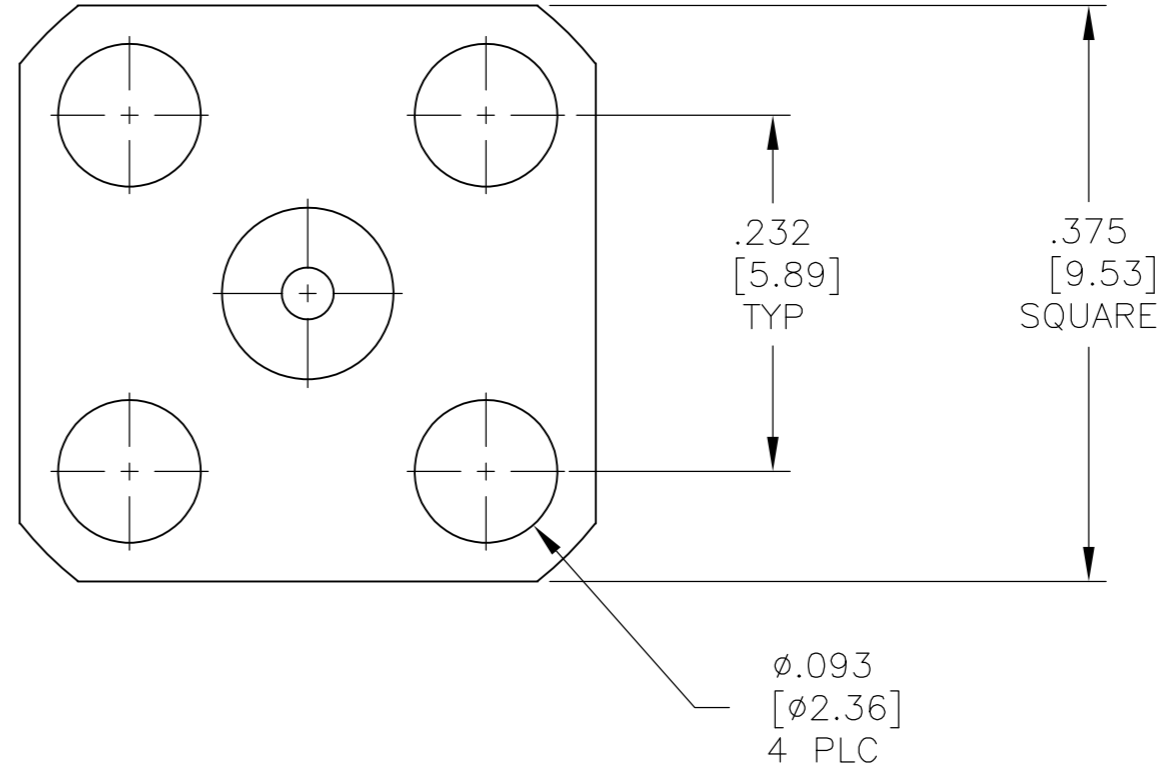
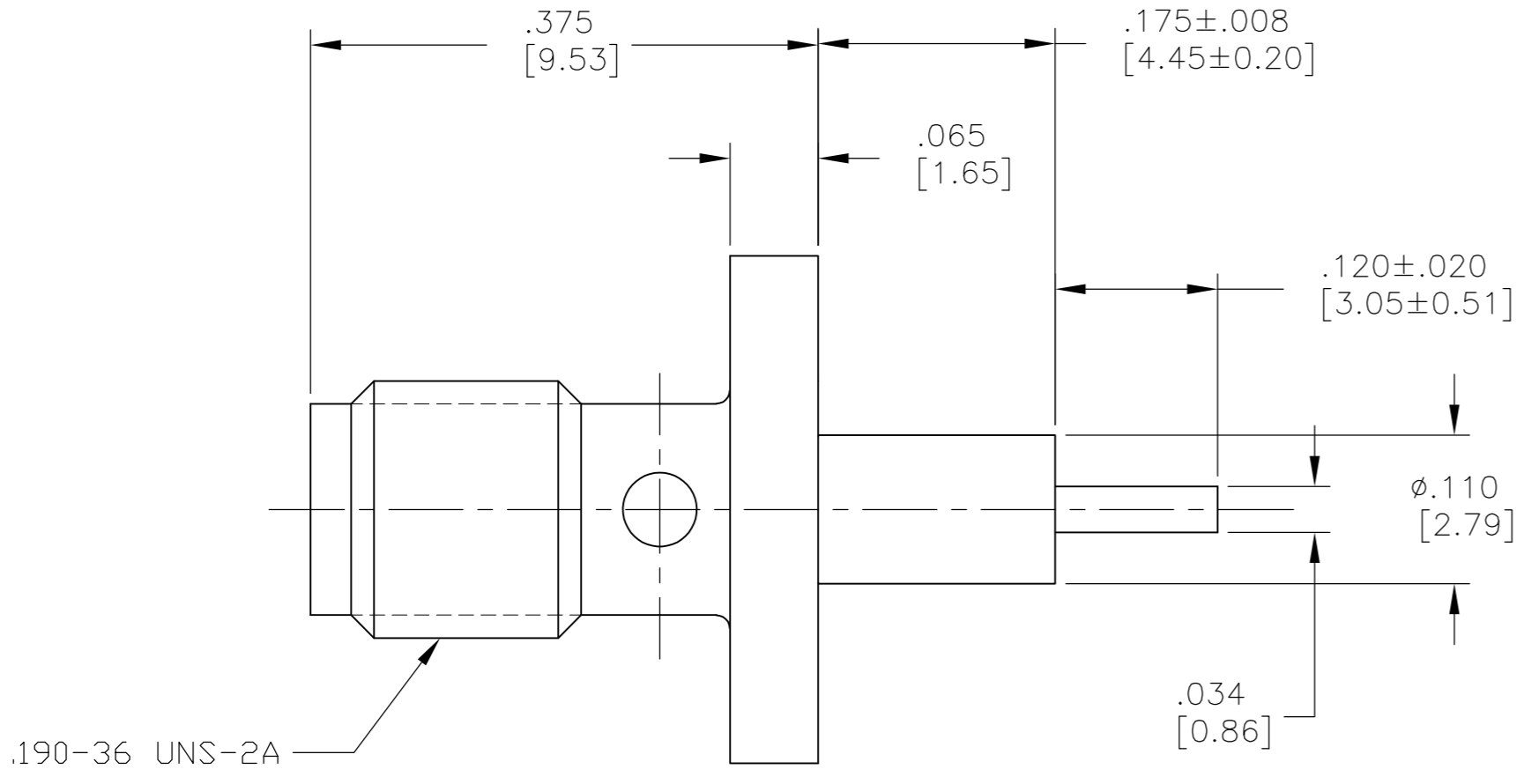


THIS DRAWING IS UNPUBLISHED. RELEASED FOR PUBLICATION
 © COPYRIGHT - By - ALL RIGHTS RESERVED.

| LOC | | DIST | | REVISIONS | | | |
|-----|-----|-------------|----------|-----------|------|----|--|
| P | LTR | DESCRIPTION | DATE | DWN | APVD | | |
| - | - | A | RELEASED | 6-21-15 | CT | DW | |



| COMPONENT | MATERIAL | FINISH |
|----------------|--------------------------------------------------------------------------|----------------------------|
| HOUSING | STAINLESS STEEL PER ASTM-A484 AND ASTM-A582, TYPE 303 | GOLD PLATE PER MIL-G-45204 |
| DIELECTRIC | TFE FLUOROCARBON PER ASTM-D-1457 | N/A |
| CENTER CONTACT | BERYLLIUM COPPER PER ASTM-B-196 OR ASTM-B-197, ALLOY C17300, CONDITION H | GOLD PLATE PER MIL-G-45204 |

1058569-1
PART NUMBER

| | | | | |
|----------------------------------------|------------------|--------------------------|-------------------------------------------------------------|-----------------|
| THIS DRAWING IS A CONTROLLED DOCUMENT. | | DWN C.C.THOMAS 12JUN2015 | TE TE Connectivity | |
| DIMENSIONS: INCHES | | CHK D.WILSON 6-12-15 | | |
| TOLERANCES UNLESS OTHERWISE SPECIFIED: | | APVD D.WILSON 6-12-15 | NAME | |
| 0 PLC ± - | | PRODUCT SPEC | SSMA 4 HOLE FLANGE MOUNT JACK RECEPTACLE, STRAIGHT TERMINAL | |
| 1 PLC ± - | | APPLICATION SPEC | SIZE A2 | CAGE CODE 00779 |
| 2 PLC ± - | | WEIGHT - | DRAWING NO C=1058569 | RESTRICTED TO - |
| 3 PLC ± .005 [0.13] | | CUSTOMER DRAWING | SCALE NTS | SHEET 1 of 1 |
| 4 PLC ± - | | | REV A | |
| ANGLES ± - | | | | |
| MATERIAL SEE TABLE | FINISH SEE TABLE | | | |