



# AS-Interface stack light module

## VBA-4A-70MM

- Bayonet system for simple mounting and dismounting
- 70-mm-series
- Degree of protection IP65
- Addressing jack
- Outputs short-circuit and overload proof
- No external power supply required
- Function display for bus, external auxiliary voltage and outputs
- Integrated communication monitoring function
- Modular system

AS-Interface module for stack light



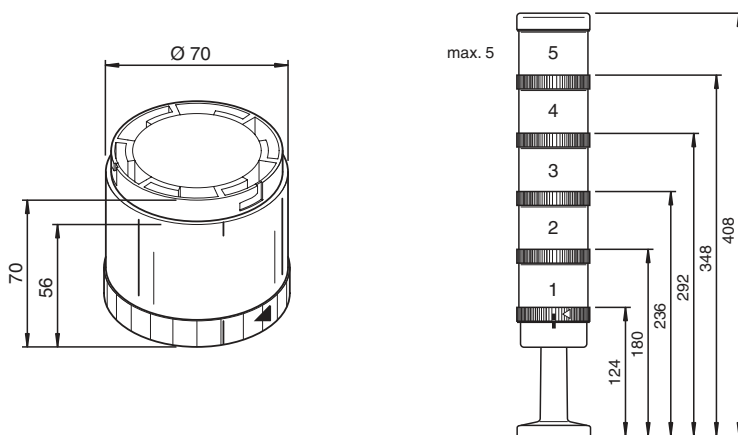
### Function

The signal column module VBA-4A-70MM is an AS-Interface module with 4 virtually wearproof semiconductor relay outputs which can trigger up to 4 stages of a signal column.

The connection of the external auxiliary voltage and the AS-Interface takes place via screw terminals in the corresponding connection element which is easily fitted to the module via a bayonet system.

The supply of the connected outputs can take place either from the internal power supply of the module (from AS-Interface) or via an external power source. Switching takes place via a sliding switch inside the element. The selection of the external power supply is indicated via an LED (AUX). The outputs are protected against reversal, overload and short circuit. An LED to indicate the AS-Interface voltage is available, another indicates errors in the AS-Interface communication. For parameterization there is an addressing jack in the element protected against external interference.

### Dimensions



### Technical Data

#### General specifications

Node type	A/B node
AS-Interface specification	V3.0
Required gateway specification	≥ V3.0
Profile	S-7.A.7
IO code	7
ID code	A
UL File Number	E223176

#### Functional safety related parameters

Release date: 2022-06-30 Date of issue: 2022-06-30 Filename: 275874\_eng.pdf

Refer to "General Notes Relating to Pepperl+Fuchs Product Information".

Pepperl+Fuchs Group  
www.pepperl-fuchs.com

USA: +1 330 486 0001  
fa-info@us.pepperl-fuchs.com

Germany: +49 621 776 1111  
fa-info@de.pepperl-fuchs.com

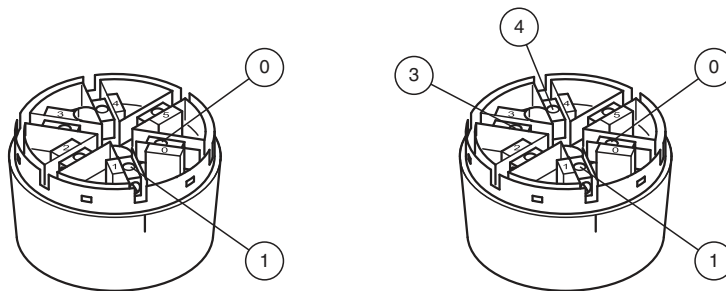
Singapore: +65 6779 9091  
fa-info@sg.pepperl-fuchs.com

**PF** PEPPERL+FUCHS

**Technical Data**

MTTF <sub>d</sub>	300 a	
<b>Indicators/operating means</b>		
LED FAULT	communication error / address is 0; LED red	
LED AS-i	AS-Interface voltage; LED green	
LED AUX	ext. auxiliary voltage U <sub>AUX</sub> ; LED green	
<b>Electrical specifications</b>		
Auxiliary voltage (output)	U <sub>AUX</sub>	20 ... 30 V DC PELV
Rated operating voltage	U <sub>e</sub>	26.5 ... 31.6 V from AS-Interface
Rated operating current	I <sub>e</sub>	≤ 235 mA
<b>Output</b>		
Number/Type	4 semiconductor relay outputs	
Supply	from AS-Interface or from external auxiliary voltage as required U <sub>AUX</sub>	
Voltage	21 ... 31 V	
Current	AS-interface: ≤ 200 mA for the stack light U <sub>AUX</sub> : ≤ 300 mA per light element	
<b>Ambient conditions</b>		
Ambient temperature	-20 ... 50 °C (-4 ... 122 °F)	
<b>Mechanical specifications</b>		
Degree of protection	IP65	
Connection	Bayonet system	

**Connection**



Supply from AS-Interface

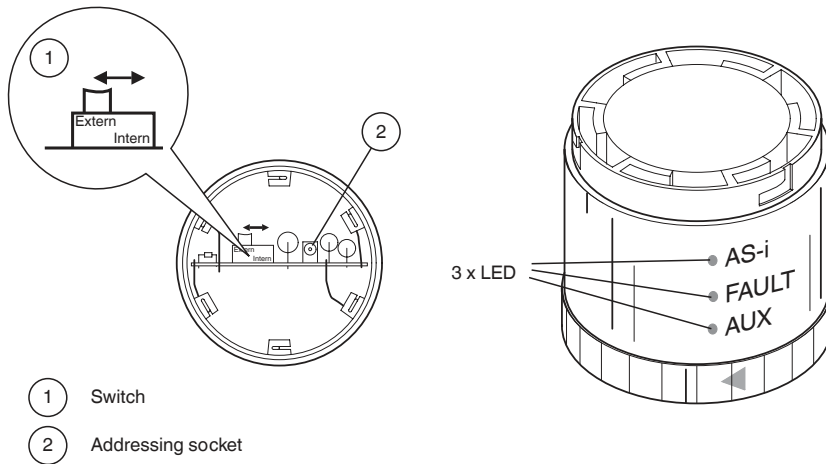
- 0 - AS-Interface
- 1 + AS-Interface

Supply from U<sub>AUX</sub>

- 0 - AS-Interface
- 1 + AS-Interface
- 3 - U<sub>AUX</sub>
- 4 + U<sub>AUX</sub>

Release date: 2022-06-30 Date of issue: 2022-06-30 Filename: 275874\_eng.pdf

## Assembly



- 1 Switch
- 2 Addressing socket

## Programming

**Data bit**  
(function via AS-Interface)

Data bit	Input	Output
D0	-	OUT1
D1	-	OUT2
D2	-	OUT3
D3	-	OUT4

**Parameter bits**  
(programmable via AS-Interface)

Parameter bit	Function
P0	Communication monitoring P0=0 monitoring off, the outputs maintain the status if communication fails P0=1 monitoring on, if communication fails, the outputs are deenergised, default setting
P1	not used
P2	not used
P3	not used

## Accessories

	<b>VAZ-LED-70MM-MC</b>	Stack light LED permanent light element, multicolor
	<b>VAZ-LED-70MM-LM</b>	Stack light LED permanent light element, lemon yellow
	<b>VAZ-MH 100-70MM</b>	Stack light assembly mounting, straight
	<b>VAZ-CLAMP-70MM</b>	Stack light terminal base with cover plate
	<b>VAZ-MH 90°-70MM</b>	Stack light assembly mounting, angled
	<b>VAZ-CLAMP-70MM-90°</b>	Stack light terminal base with cover plate
	<b>VAZ-LED-70MM-YE</b>	Stack light LED permanent light element, yellow
	<b>VAZ-LED-70MM-RD</b>	Stack light LED permanent light element, red

Release date: 2022-06-30 Date of issue: 2022-06-30 Filename: 275874\_eng.pdf

Refer to "General Notes Relating to Pepperl+Fuchs Product Information".

Pepperl+Fuchs Group  
www.pepperl-fuchs.com









USA: +1 330 486 0001  
fa-info@us.pepperl-fuchs.com

Germany: +49 621 776 1111  
fa-info@de.pepperl-fuchs.com

Singapore: +65 6779 9091  
fa-info@sg.pepperl-fuchs.com

PEPPERL+FUCHS

## Accessories

	<b>VAZ-LED-70MM-GN</b>	Stack light LED permanent light element, green
	<b>VAZ-LED-70MM-CL</b>	Stack light LED permanent light element, clear
	<b>VAZ-LED-70MM-BU</b>	Stack light LED permanent light element, blue
	<b>VAZ-LAMP-70MM-CL</b>	Stack light solid light element, clear
	<b>VAZ-LAMP-70MM-YE</b>	Stack light solid light element, yellow
	<b>VAZ-LAMP-70MM-GN</b>	Stack light permanent light element, green
	<b>VAZ-LAMP-70MM-RD</b>	Stack light solid light element, red
	<b>VAZ-LAMP-70MM-BU</b>	Stack light solid light element, blue