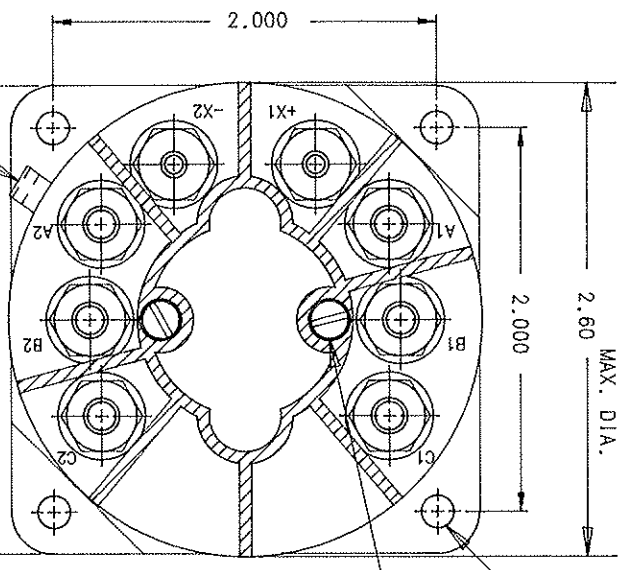


REVISIONS		RELEASED	DATE	APPROVED
SWM				
F	26104	REDRAWN ON CAED'S. OPERATE AND RELEASE TIME ADDED	94/05/31	RS
G	33623	FIND NOS 15 & 16 ADDED	97/09/08	RS



171 DIA. HOLE
4 MTG. HOLES

CONSTRUCTION
MAIN CONTACTS
CONFIGURATION
VOLTAGE (NOM)
CURRENT RES.
IND.
MOTOR

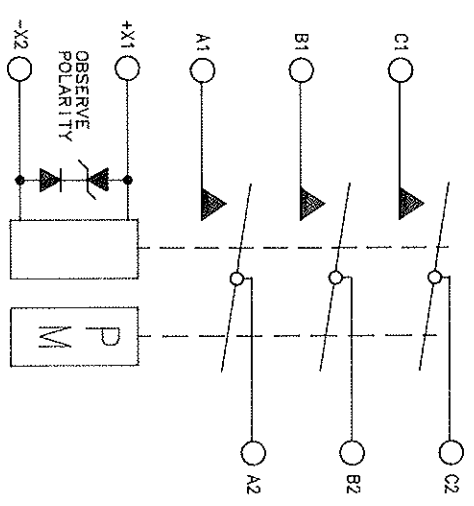
COIL DATA
DUTY CYCLE
NOM. COIL VOLTAGE
PICKUP MAX.
DROPOUT
COIL CURRENT AT 28 VDC, 25°C
OPERATE TIME AT 28 VDC, 25°C
RELEASE TIME AT 28 VDC, 25°C
ENVIRONMENTAL DATA
AMBIENT TEMP.
ALTITUDE
LIFE ELECTRICAL
LIFE MECHANICAL
VIBRATION
WEIGHT MAX.

GASKET SEALED (VENTED)

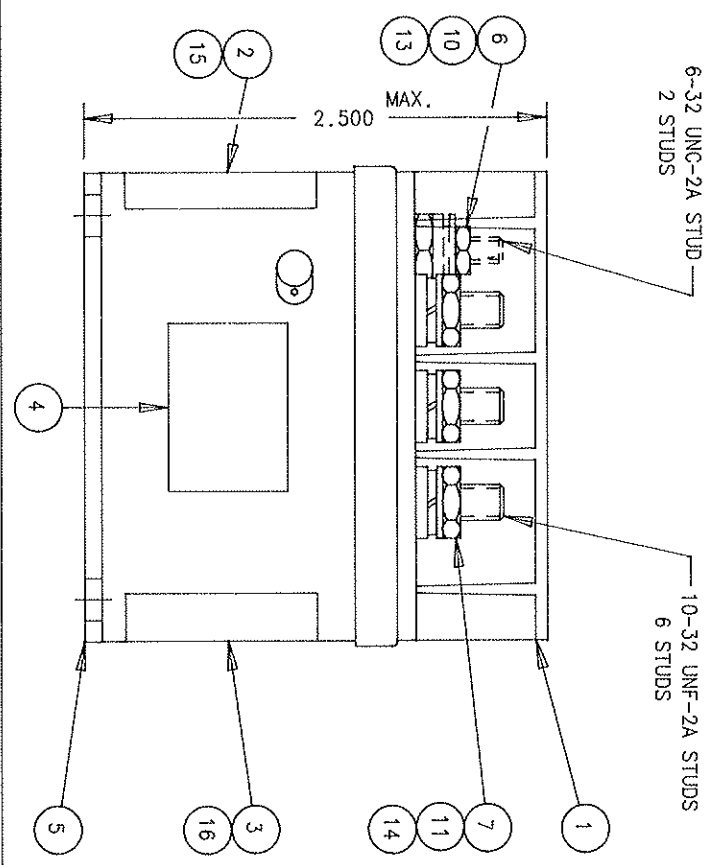
3PST SIDESTABLE
115/200 VAC 400 HZ
50 AMP
50 AMP
50 AMP

CONTINUOUS
28VDC
18 VDC
1.5 TO 7.0 VDC
280 AMP MAX.
35 MS MAX.
35 MS MAX.

-55°C TO +71°C
50,000 FEET MAX
50,000 CYCLES MIN.
100,000 CYCLES
10 G's 75 - 2000 HZ
11 OZ.



- NOTES:
1. COIL TRANSIENT VOLTAGE LIMITED TO ±50 VOLTS, REFERENCED TO ZERO VOLTS.
 2. REF: AGUSTA EA06E001J.
 3. UNIT DESIGNED TO MEET THE APPLICABLE REQUIREMENTS OF MIL-R-6106, SPEC. NO. B5.36100
 4. UNIT DESIGNED TO MEET THE REQUIREMENTS OF B.S.I. SPEC. NO. B5.36100 PART 2, SECTION 3, SUBSECTION 3.5, CLASSIFICATION LEVEL C.



QTY	PART OR IDENTIFYING NO	NOMENCLATURE OR DESCRIPTION	FORM NO	DRAWING OR SPECIFICATION	MATERIAL OR NOTE
16	1	39529-003	OVERLAY		
15	1	39529-001	OVERLAY		
14	6	51810-054	WASHER, NO. 10 SPLIT LOCK		BRONZE
13	2	51806-014	WASHER, NO. 6 SPLIT LOCK		BRONZE
12	2	51805-011	WASHER, NO. 5 SPLIT LOCK		BRONZE
11	6	51702-844	WASHER, 3/8 X 13/64 X .032 FLAT		BRASS
10	2	51702-204	WASHER, 3/8 X 9/64 X .032 FLAT		BRASS
9	2	51701-180	WASHER, 3/16 X .103 X .015		INVAR
8	2	51205-591	SCREW, 5-40 X 3/8 RD. HD.		BRASS
7	6	50410-054	NUT, 10-32 X 5/16 X 9/64 HEX.		BRASS
6	2	50406-034	NUT, 6-32 X 1/4 X 5/64 HEX.		BRASS
5	1	41068-020	CONTACTOR ASSEMBLY PRIMARY		
4	1	25695-001	PLATE - WARNING		
3	1	41089-001	PLATE - WIRING DIAGRAM		
2	1	16045-001	PLATE - NAME		
1	1	15549-001	SHIELD - TERMINAL		

UNLESS OTHERWISE SPECIFIED DIMENSIONS ARE IN INCHES TOLERANCES ON

DR BY RLS 97/09/16
CHK BY RS 97/09/16
ENGR PD 97/09/16
MFG V 97/09/16

RELEASE
CONTR NO.
GOVT APPVL

SIZE CODE IDENT DWG NO.
C 74063 D-7M

SCALE NONE SHEET

HARTMAN ELECTRICAL MANUFACTURING
MANSFIELD, OHIO

CONTACTOR-3PST N.O. SIDESTABLE
50 AMP, 115/200 V 400 HZ.

093