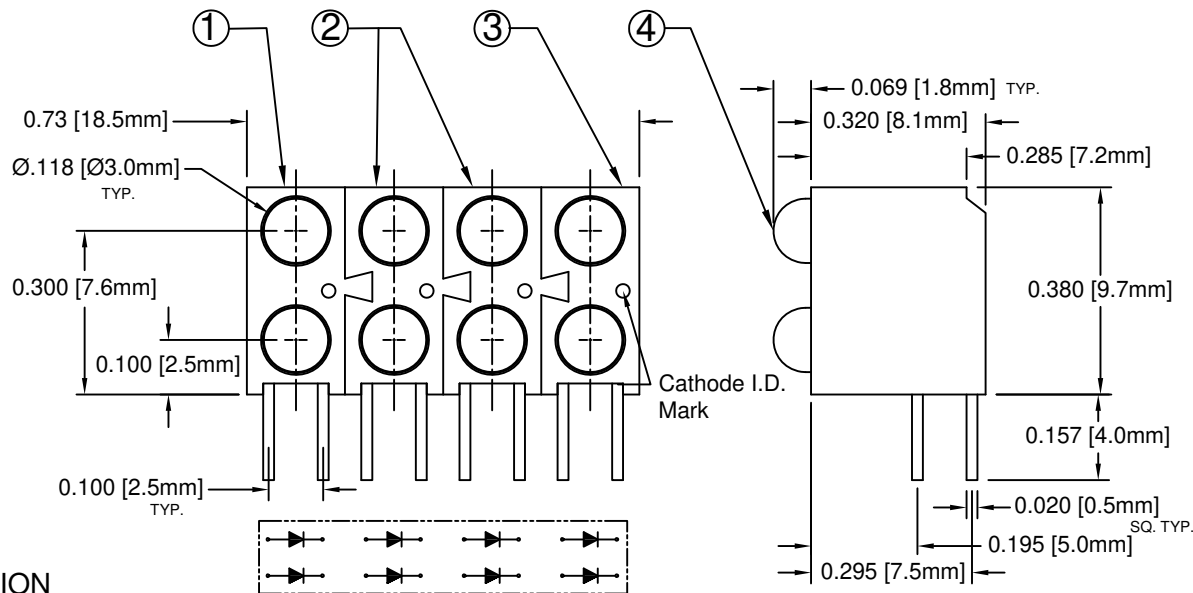
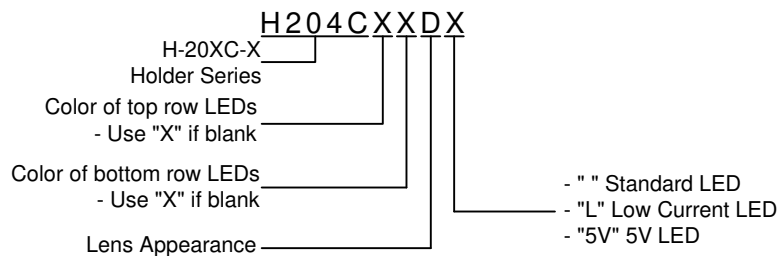


ITEM	Q'TY	PART NUMBER	PART DESCRIPTION
1	1	H-202C	T-1 (3mm) Bi-Level LED Holder, 90° Mount, Interlock Lt. End
2	2	H-200C	T-1 (3mm) Bi-Level LED Holder, 90° Mount, Interlock Center
3	1	H-203C	T-1 (3mm) Bi-Level LED Holder, 90° Mount, Interlock Rt. End
4	8	3XX-S	T-1 (3mm) N-Flange Shouldered LED, See Page 2

REV.	DESCRIPTION	DATE	APPROVED
A	Engineering Update w/o Changes	03/05/04	M. C.
B	LED Package Change to 3XX-S LEDs	12/14/07	M. C.
C	Added P/N Designation Note	11/06/08	T. Y.
D	LED Update	07/23/09	T. Y.
E	Engineering Update w/o Changes	06/21/16	J. C.

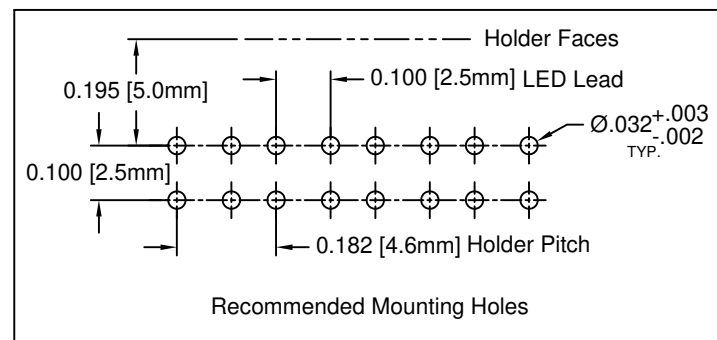


NOTE: P/N DESIGNATION



-If LEDs are the same, use e.g. H204CGD

All Green LEDs




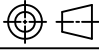
## ABSOLUTE MAXIMUM RATINGS (Ta=25° C)

REVERSE VOLTAGE	5V
REVERSE CURRENT	100uA
OPERATING TEMPERATURE RANGE	-25° C - 85° C
STORAGE TEMPERATURE	-30° C - 100° C
LEAD SOLDERING TEMPERATURE(1/16" FROM BODY)	260° C FOR 5 SECONDS

STANDARD TOLERANCE (UNLESS OTHERWISE SPECIFIED)		BIVAR®	
DECIMALS	ANGULAR	4 THOMAS, IRVINE, CA. 92618	
.X ± .1	X° ± 1°	TEL: (949) 951-8808	FAX: (949) 951-3974
.XX ± .02		<b>TITLE:</b> T-1 (3MM) 90° BI-LEVEL QUAD-STATION ARRAY	
.XXX ± .010		<b>PART NO:</b> H204CXX	
DESIGNED: T. Yin	DATE: 03/05/04	REVISION: E	
CHECKED: D. Green	DATE: 03/05/04	<b>CAGE CODE :</b> 32559 <b>SHEET #</b> 1 OF 2	
CAD GENERATED DOCUMENT. DO NOT MEASURE DRAWING.			

REV.	DESCRIPTION	DATE	APPROVED
	SEE SHEET #1		

LED Assy. No.	Peak Wave Length $\lambda_p$ (nm)	Emitted Color	Lens Appearance	Electro-Optical Data				Viewing Angle $2\theta \frac{1}{2}$ (Deg)	LED P/N
				If (mA)	Vf (V)		Iv (mcd)		
				TYP	TYP	MAX	TYP		
<b>STANDARD</b>				<b>Data @ 20m A</b>					
H204CBWD	430	BLUE	DIFFUSED	20	4.0	4.5	10	40	3BWD-S
H204CGD	568	GREEN	DIFFUSED	20	2.1	2.8	25	40	3GD-S
H204CYD	590	YELLOW	DIFFUSED	20	2.0	2.8	20	40	3YD-S
H204CHD	625	HE RED	DIFFUSED	20	2.0	2.8	30	40	3HD-S
H204CRD	700	RED	DIFFUSED	20	2.1	2.8	2	40	3RD-S
H204CSR	645	SUPER RED	DIFFUSED	20	1.7	2.4	40	40	3SRD-S
<b>LOW CURRENT</b>				<b>Data @ 2m A</b>					
H204CGDL	568	GREEN	DIFFUSED	2	2.1	2.6	2	40	3GDL-S
H204CYDL	590	YELLOW	DIFFUSED	2	2.0	2.6	2	40	3YDL-S
H204CHDL	625	HE RED	DIFFUSED	2	2.0	2.6	3	40	3HDL-S
<b>5 VOLT</b>				<b>Data @ 5V</b>					
H204CGD5V	568	GREEN	DIFFUSED	-	-	5.0	25	40	3GD5V-S
H204CYD5V	590	YELLOW	DIFFUSED	-	-	5.0	20	40	3YD5V-S
H204CHD5V	625	HE RED	DIFFUSED	-	-	5.0	30	40	3HD5V-S

STANDARD TOLERANCE ( UNLESS OTHERWISE SPECIFIED ) $\pm 10\%$ ALL VALUES    ANGULAR		 <b>BIVAR</b> <sup>®</sup> 4 THOMAS, IRVINE, CA. 92618 TEL: (949) 951-8808    FAX: (949) 951-3974		
				<b>TITLE:</b> T-1 (3MM) 90° BI-LEVEL QUAD-STATION ARRAY
DESIGNED: <b>T. Yin</b>	DATE: <b>03/05/04</b>	<b>PART NO:</b> H204CXX		REVISION: <b>E</b>
CHECKED: <b>D. Green</b>	DATE: <b>03/05/04</b>	<b>CAGE CODE : 32559</b>		<b>SHEET # 2 OF 2</b>
CAD GENERATED DOCUMENT. DO NOT MEASURE DRAWING.				