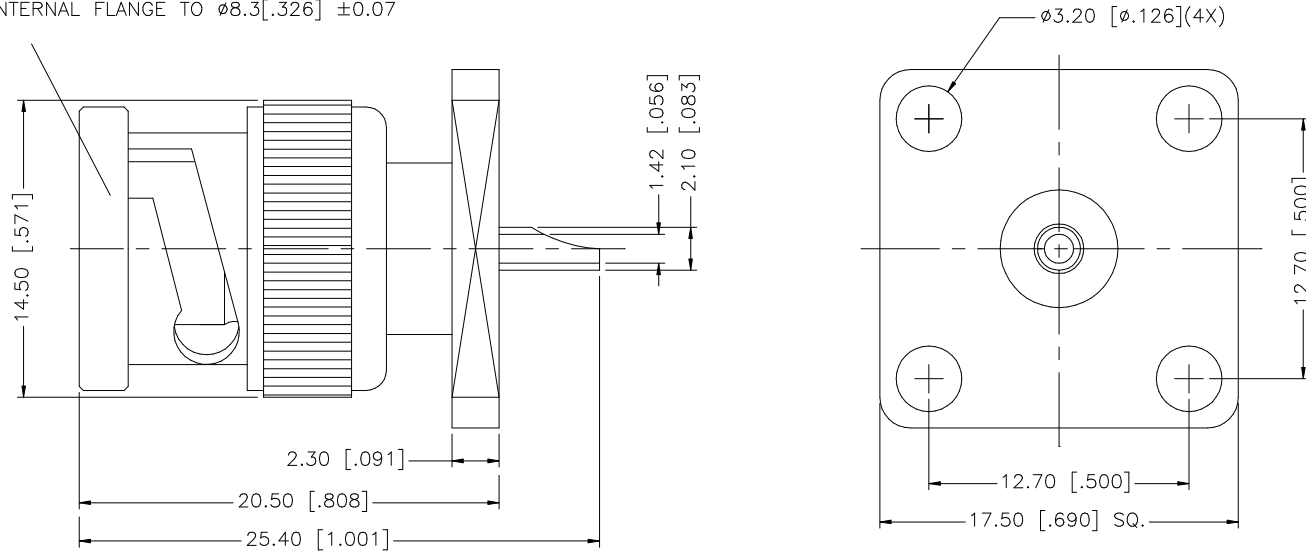


REV.	DATE	DESCRIPTION
NC	03/28/00	INITIAL RELEASE
A	01/02/07	UPDATE DRAWING FORMAT

NOTE:

FLARE INTERNAL FLANGE TO $\varnothing 8.3 [.326] \pm 0.07$



8					<small>UNLESS OTHERWISE SPECIFIED DIMENSIONS ARE IN MILLIMETERS. DIMENSIONS IN [] ARE IN INCHES AND FOR CUSTOMER REFERENCE ONLY.</small> <small>UNLESS OTHERWISE SPECIFIED TOLERANCES FOR MILLIMETERS ARE:</small> 0.5 - 8mm \pm 0.20mm 8 - 30mm \pm 0.40mm 30 - 120mm \pm 0.50mm <small>UNLESS OTHERWISE SPECIFIED TOLERANCES FOR INCHES ARE:</small> .020 - .315 = \pm 0.007" .315 - 1.180 = \pm 0.015" 1.180 - 4.724 = \pm 0.020"	APPROVALS	DATE	<h1 style="color: blue; text-align: center;">Amphenol Connex</h1>	
7				DRAWN		G.R.S.	01/02/07		<small>PART DESCRIPTION</small> <h2 style="text-align: center;">BNC PANEL PLUG - 4 HOLE FLANGE</h2>
6				CHECKED					
5				ISSUED					
4					SHEET	1 OF 1		<small>PART NO.</small>	
3	CONTACT PIN	BRASS	GOLD	1				112653	
2	INSULATOR	TEFLON	NATURAL	1					
1	BODY	BRASS	NICKEL	1					
	DESCRIPTION	MATERIAL	FINISH	QTY	DO NOT SCALE DRAWING	CAD FILE	C:/112/112653.DWG	<small>DWG. NO.</small> 112653.DWG <small>REV.</small> A <small>SIZE</small> A <small>SCALE</small> NA	