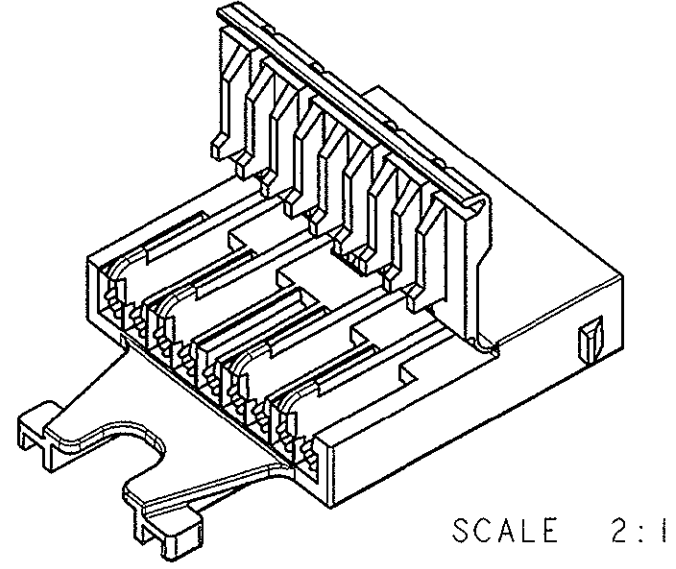
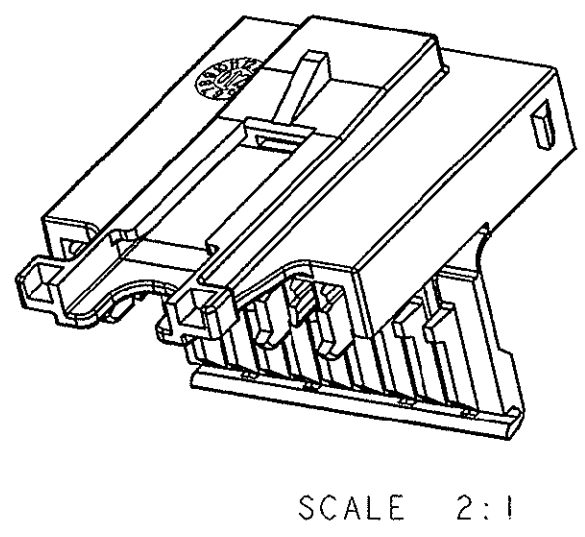
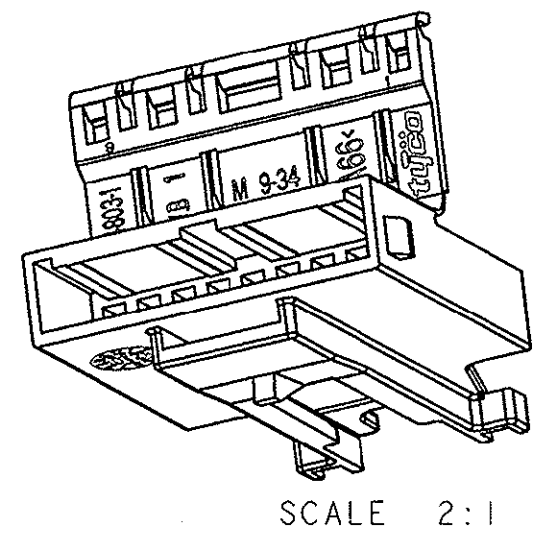
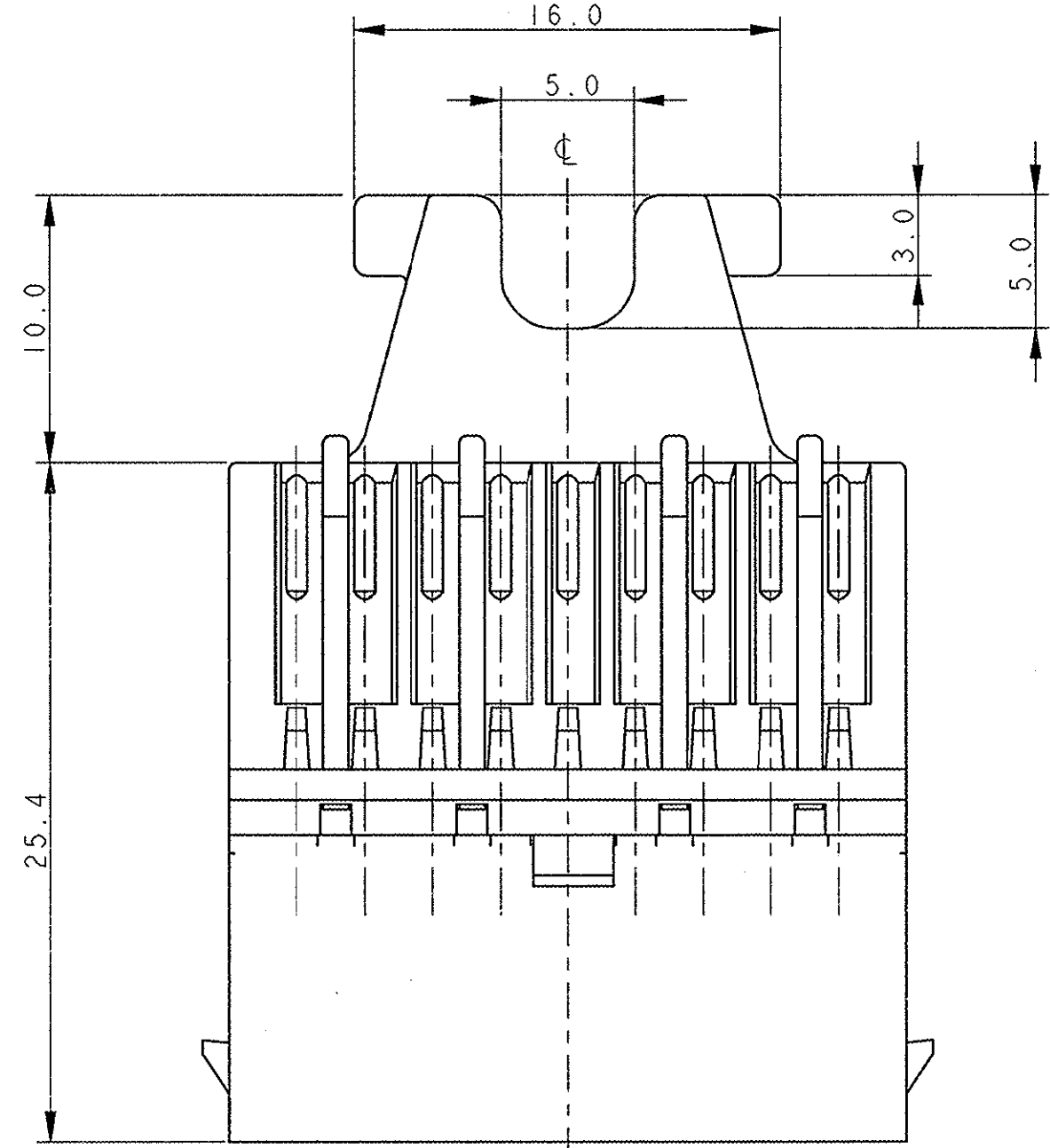
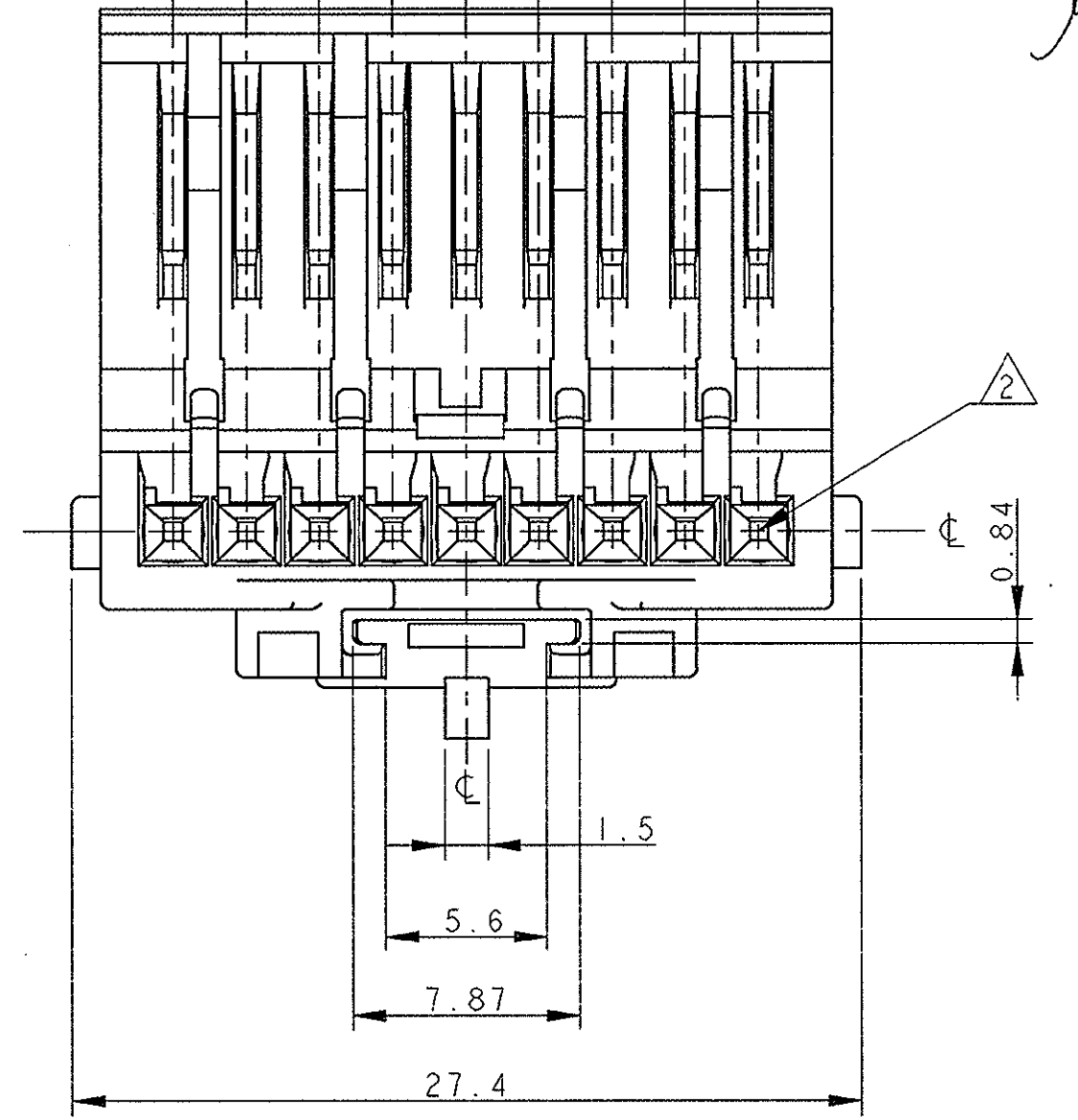
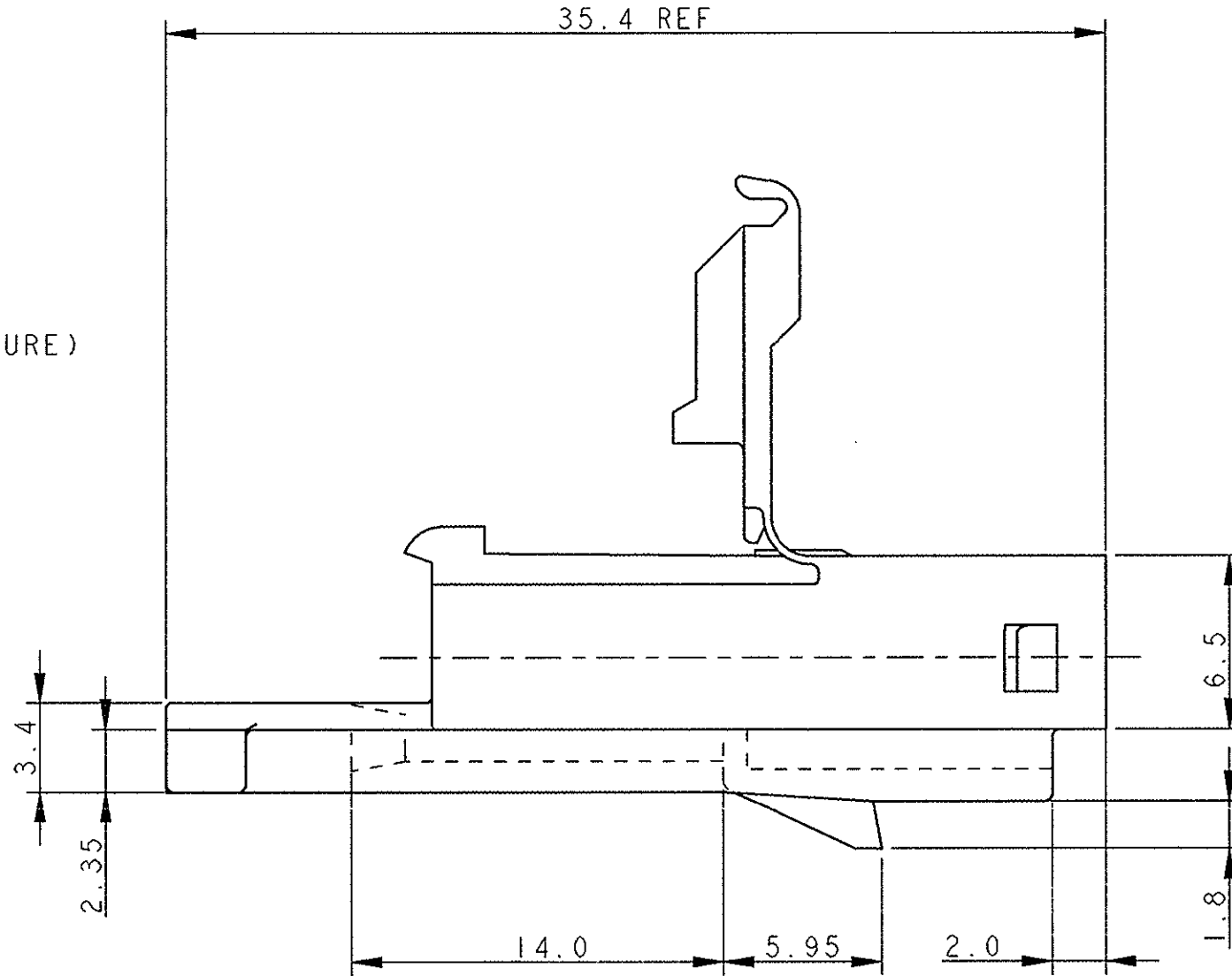
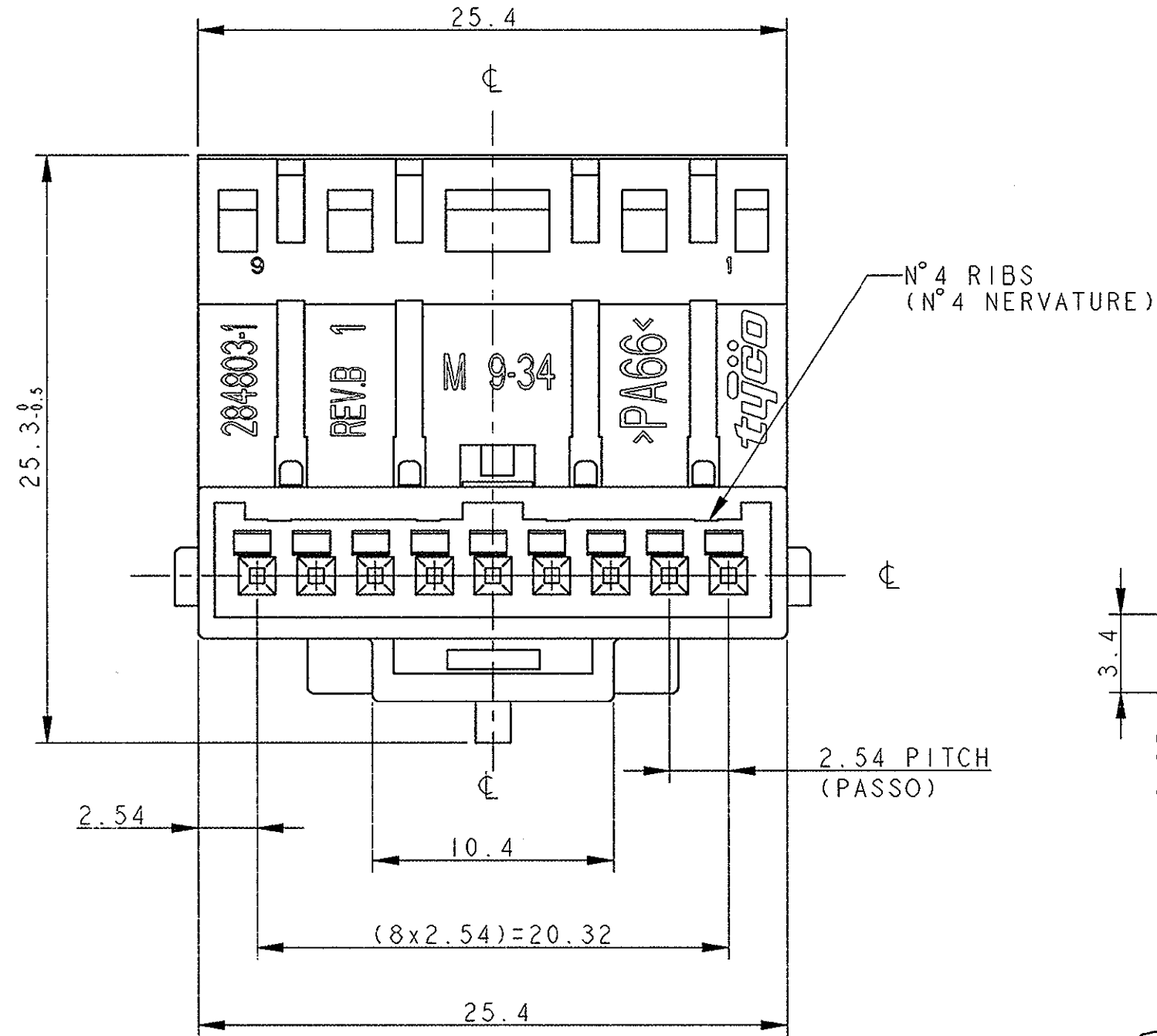


THIS DRAWING IS UNPUBLISHED. RELEASED FOR PUBLICATION 2001
 © COPYRIGHT 2001 BY TYCO ELECTRONICS CORPORATION. ALL RIGHTS RESERVED.

LOC	DIST	REVISIONS			
P	LTR	DESCRIPTION	DATE	DWN	APVD
0		PRELIMINARY ISSUE (EMISSIONE PRELIMINARE)	20NOV2001	M.P.	O.C.
A		FIRST ISSUE	5FEB2002	M.P.	O.C.
A1		UPDATED DRAWING	26FEB2002	M.P.	O.C.
A2		UPDATED DRAWING (ET00-0139-02)	15JUL2002	M.P.	O.C.
A3		RELEASED FOR PRODUCTION (ET00-0114-03)	23FEB2004	M.P.	O.C.
A4		UPDATED DRAWING (ET00-0116-04)	26MAY2004	M.P.	O.C.
B		UPDATED DRAWING (ET00-0176-04)	02SEP2004	M.P.	O.C.



- 1 MATERIAL : PA66 BLACK COLOR (MATERIALE : PA66 COLORE NERO)
- 2 CAVITIES SUITABLE FOR MICRO QUADLOCK SYSTEM CONTACT P/N 1-928918-1 (0.25-0.5 mm²) AND P/N 963716-1 (0.75 mm²) (CAVITA' ADATTE PER CONTATTO TIPO MICRO QUADLOCK SYSTEM-MQS) P/N 1-928918-1 (0.25-0.5 mm²) e P/N 963716-1 (0.75 mm²)
- 3) CONNECTOR SUITABLE FOR COUNTERPART P/N 968571-1 (CONNETTORE ADATTO PER CONTROPARTE P/N 968571-1)
- 4) CONNECTOR SUPPLIED WITH SECONDARY LOCK IN OPEN POSITION (CONNETTORE FORNITO CON AGGANCIAMENTO SECONDARIO IN POSIZIONE APERTA)

P/N 284803-1 AS SHOWN (COME MOSTRATO)

<small>THIS DRAWING IS A CONTROLLED DOCUMENT FOR TYCO ELECTRONICS CORPORATION. IT IS SUBJECT TO CHANGE AND THE CONTROLLING ENGINEERING ORGANIZATION SHOULD BE CONTACTED FOR THE LATEST REVISION.</small>		DWN 20NOV2001 M. POLI 1771 CHK 20NOV2001 O. CANUTO APVD 20NOV2001 A. GENTA PRODUCT SPEC APPLICATION SPEC WEIGHT CUSTOMER DRAWING	tyco Electronics tyco Electronics AMP Italia C.so Fratelli Cervi, 15 Collegno (To)
DIMENSIONS: mm 	TOLERANCES UNLESS OTHERWISE SPECIFIED: 0 PLC ±0.3 1 PLC ±0.3 2 PLC ±0.3 3 PLC ± 4 PLC ± ANGLES ±1° FINISH	NAME PIN HOUSING 9 POSITIONS MQS (PORTAMASCHI 9 POSIZIONI MQS) SIZE CAGE CODE DRAWING NO A2 00779 C-284803 RESTRICTED TO	SCALE 4:1 SHEET i OF i REV B