



Main

Range of Product	Altivar Lexium
Product or Component Type	EMC input filter
Range Compatibility	Altivar Machine ATV320 Lexium 28 Altivar 32 Lexium 32
Product compatibility	LXM28A ATV32, 380...500 V, 5...7.5 kW Variable speed drive ATV320 5.5 kW, 380...500 V, three phase Variable speed drive ATV320 7.5 kW, 380...500 V, three phase Variable speed drive ATV320...W/ATV320...WS 5.5 kW, 380...500 V, three phase Variable speed drive ATV320...W/ATV320...WS 7.5 kW, 380...500 V, three phase
Product Specific Application	Radio interference input filter
Mounting Location	Below variable speed drive
Phase	Three phase

Complementary

Maximum cable distance between devices	65.62 Ft (20 m) IEC 61800-3 category C1 328.08 Ft (100 m) IEC 61800-3 category C2 492.13 ft (150 m) IEC 61800-3 category C3
Line Rated Current	47 A
Thermal losses	19.3 W
Network rated voltage	380...500 V
Tolerance	- 15...10 %
Net Weight	6.94 lb(US) (3.15 kg)
Emc filter compatibility	Type 024

Ordering and shipping details

Category	22152-ATV320/ATV312/ATV32 (.25 THRU 7.5HP)
Discount Schedule	CP4B
GTIN	3606480320873
Nbr. of units in pkg.	1
Package weight(Lbs)	6.64 lb(US) (3.01 kg)
Returnability	No
Country of origin	TH

Packing Units

Unit Type of Package 1	PCE
Package 1 Height	2.76 in (7.0 cm)
Package 1 width	18.43 in (46.8 cm)
Package 1 Length	9.45 in (24.0 cm)
Unit Type of Package 2	S06
Number of Units in Package 2	22
Package 2 Weight	178.05 lb(US) (80.76 kg)
Package 2 Height	28.94 in (73.5 cm)

Package 2 width	23.62 in (60.0 cm)
Package 2 Length	31.50 in (80.0 cm)

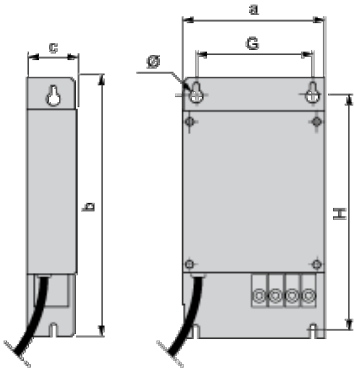
Offer Sustainability

California proposition 65	WARNING: This product can expose you to chemicals including: Lead and lead compounds, which is known to the State of California to cause cancer and birth defects or other reproductive harm. For more information go to www.P65Warnings.ca.gov
REACH Regulation	REACH Declaration
REACH free of SVHC	Yes
EU RoHS Directive	Pro-active compliance (Product out of EU RoHS legal scope) EU RoHS Declaration
Toxic heavy metal free	Yes
Mercury free	Yes
RoHS exemption information	Yes
China RoHS Regulation	China RoHS Declaration

Contractual warranty

Warranty	18 months
----------	-----------

Additional EMC Input Filters



Dimensions in mm

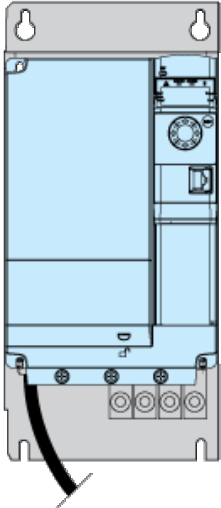
a	b	c	G	H	Ø
180	305	60	140	285	5.5

Dimensions in in.

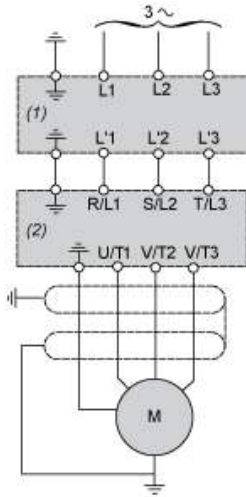
a	b	c	G	H	Ø
7.09	12.01	2.36	5.51	11.22	0.22

Mounting Recommendations

Mounting the Filter behind the Drive



Recommended Schema



- (1) Filter
- (2) Drive