

Cover Eyelet Assembly

1. INTRODUCTION

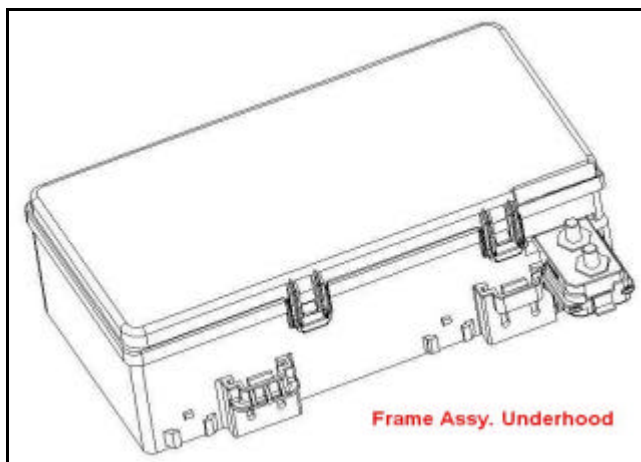
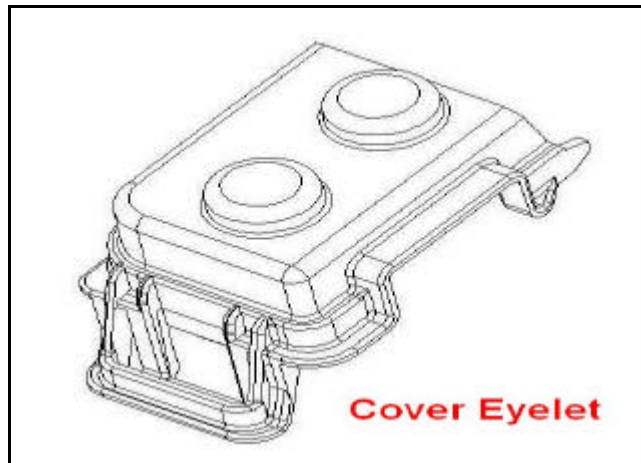
1.1 Content

This Instruction Sheet is to provide useful information for correct assembly of the Cover Eyelet on the Frame Assy Underhood.

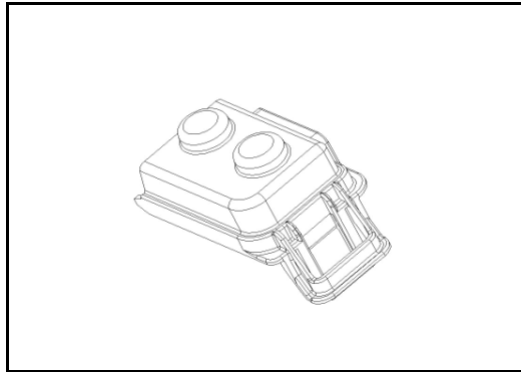
COVER EYELET	FRAME ASSY. UNDERHOOD
1989306-1	1989500-1

2. DESCRIPTION

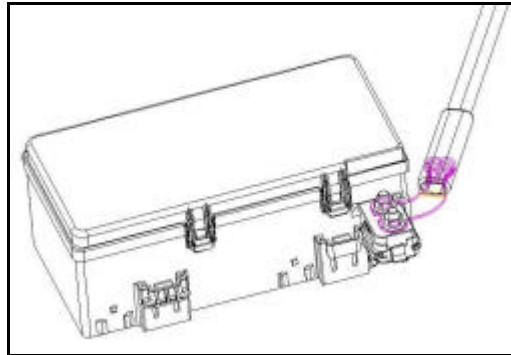
a) Cover eyelet and frame Assy Underhood is shown on Figures below :



- b) Cover Eyelet is supplied as loose piece to Ford.

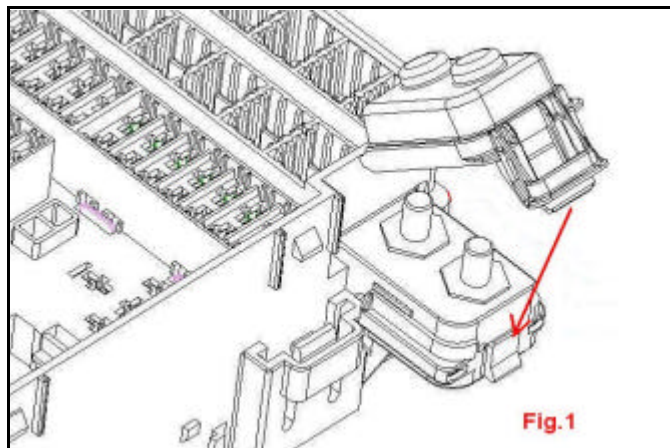


- c) Frame Assy Underhood is supplied by Lear to Ford.

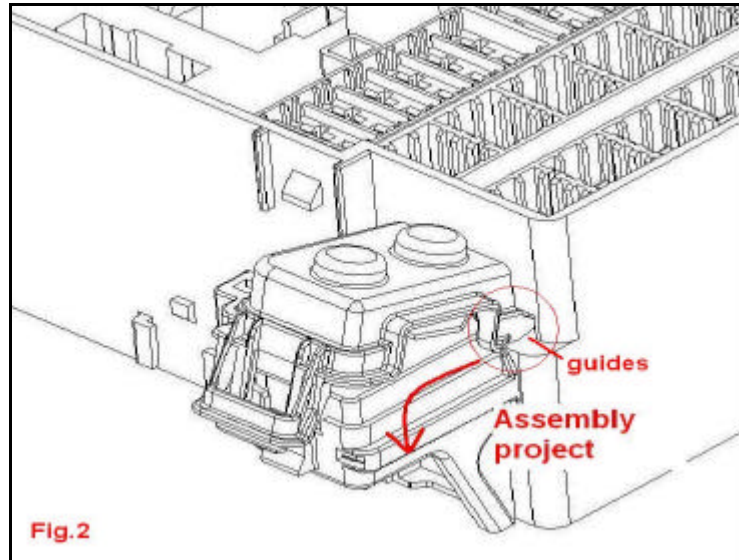


3. POSITIONING THE COVER EYELET

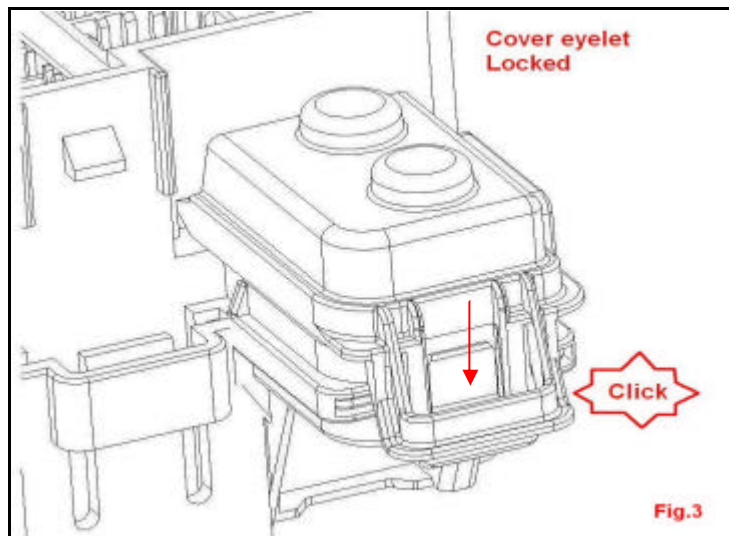
- a) Before starting pushing Cover Eyelet latches – see Figure 1 ;



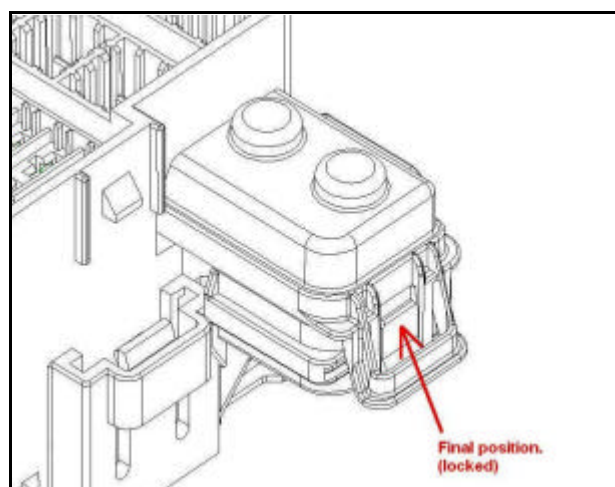
- b) Positioning the Cover Eyelet guides according to shown on Figure 2;



- c) Close the Cover Eyelet pushing in the direction shown on Figure 3 to final position (CLICK).



- d) Final position assembled shown below:



History				
Rev.	Date	Description	Prepared	Approved
A	08-Oct-2008	Initial Release	S.Oliveira	N.M.Santos