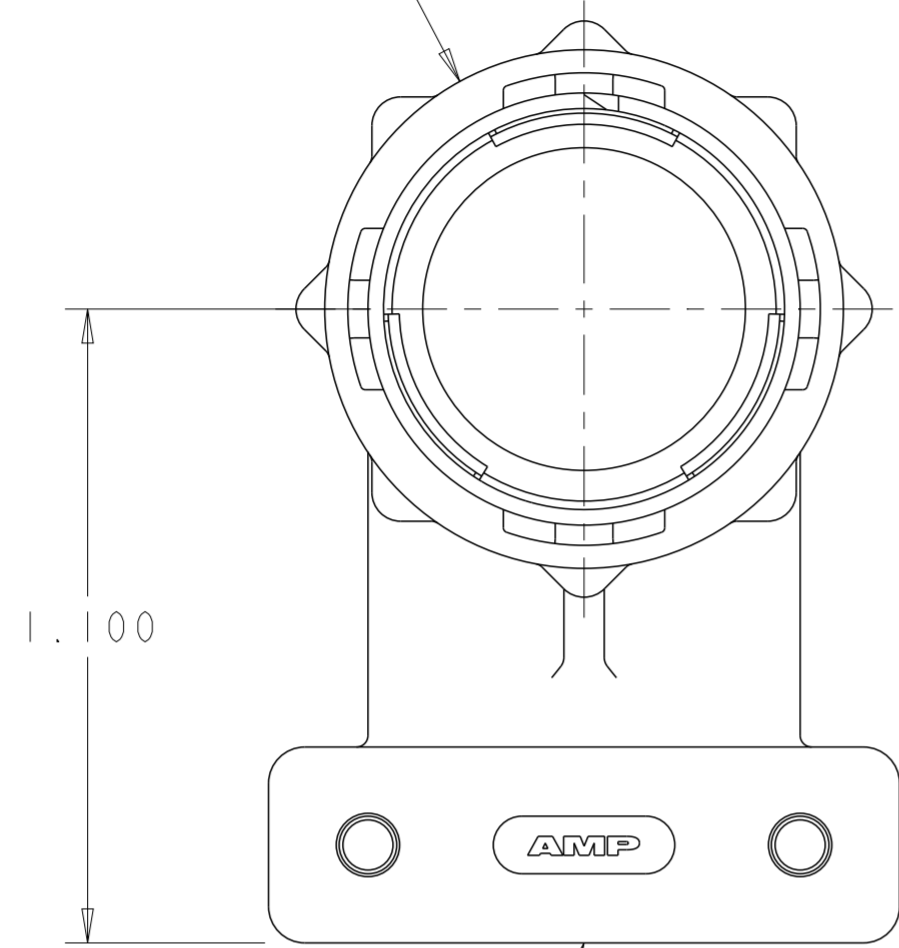


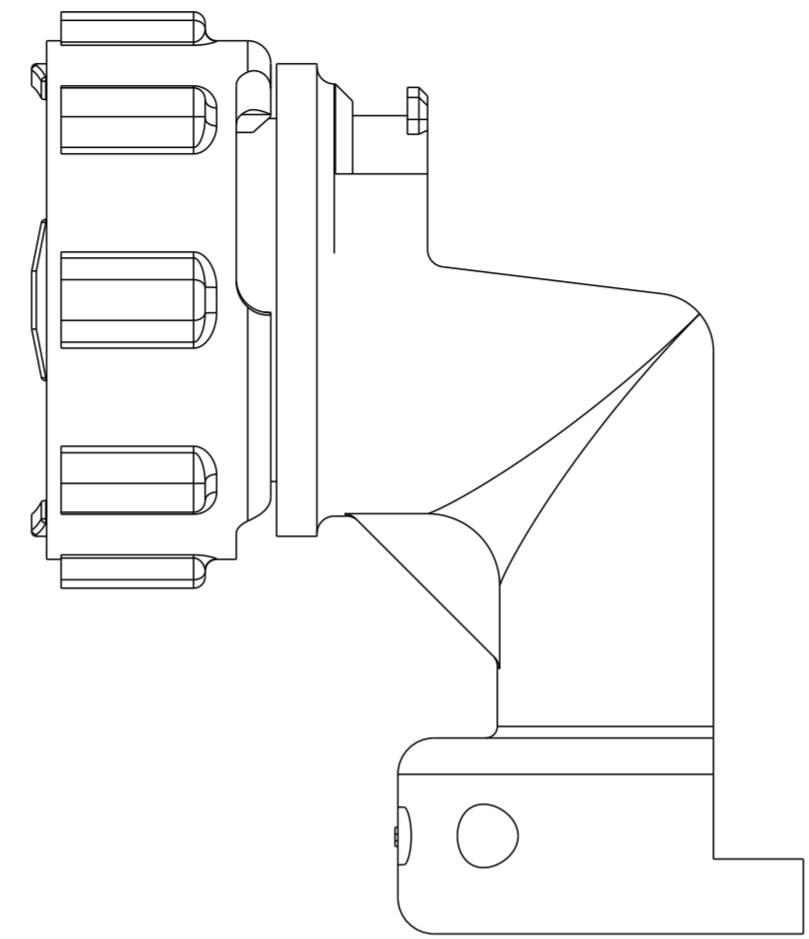
THIS DRAWING IS UNPUBLISHED. RELEASED FOR PUBLICATION  
 © COPYRIGHT 20 BY - ALL RIGHTS RESERVED.

REVISIONS				
P	LTR	DESCRIPTION	DATE	APVD
E		REVISED PER ECO-10-012730	20SEP10	HMR MG
F		REVISED PER ECO-18-003937	15MAR2018	RS MZ

COUPLING RING  
 NYLON, COLOR:BLACK



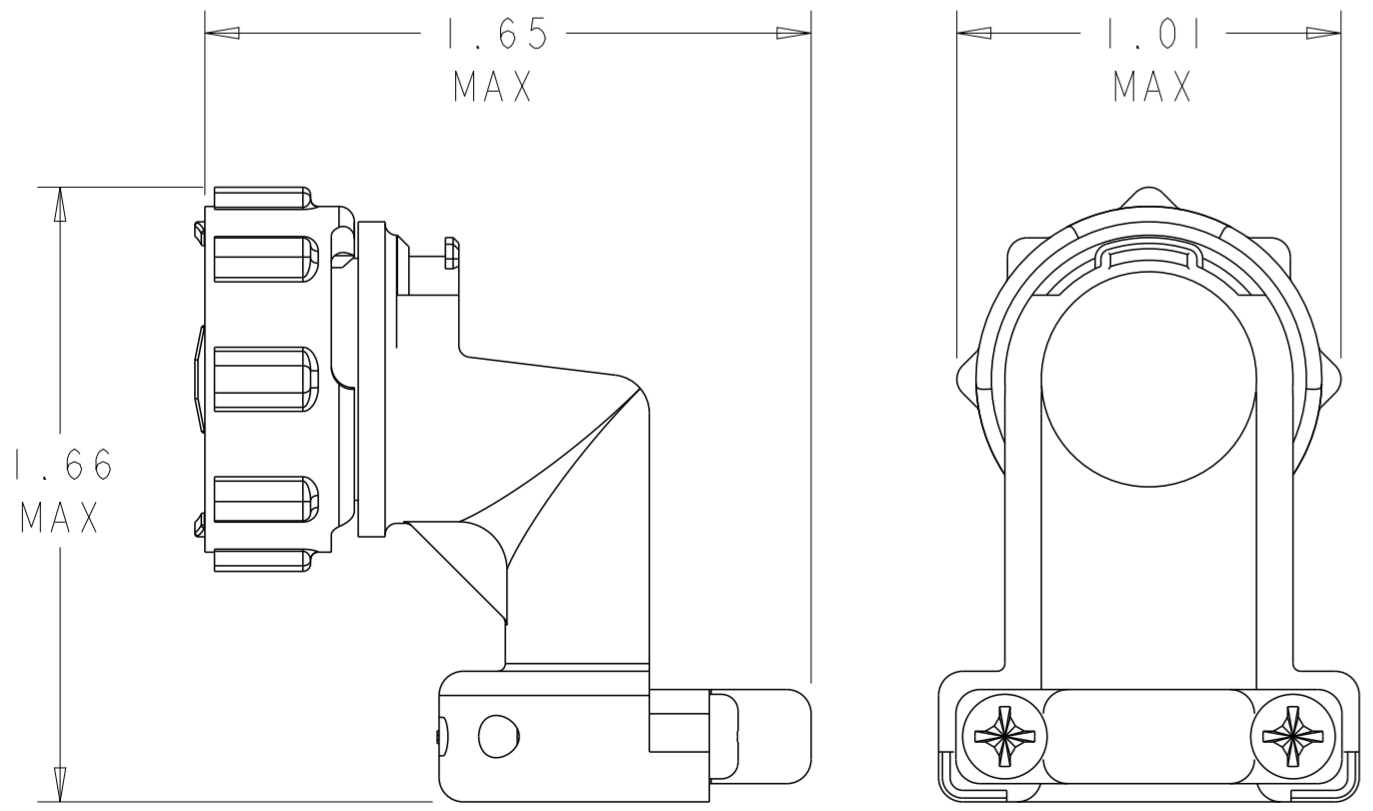
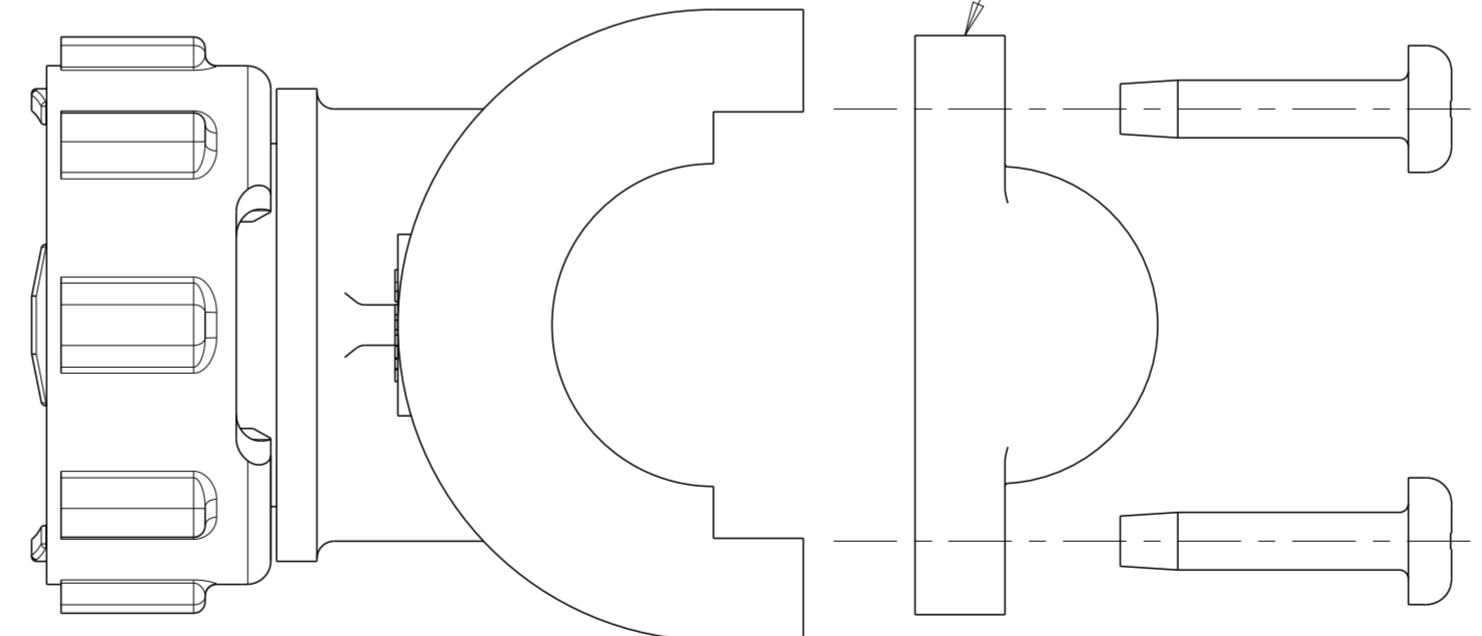
CABLE CLAMP BODY  
 NYLON, COLOR:BLACK



- ① SELF TAPPING SCREWS AND CABLE CLAMP INSERTS PACKAGED UNASSEMBLED.
- ② CLAMPING AREA ADJUSTABLE TO .453 O.D. MAX CABLE. CABLE CLAMP INSERTS CAN BE ADJUSTED BY INVERTING OR CHANGING CABLE CLAMP INSERT.

① 5-20 SELF TAPPING SCREW  
 MATERIAL: STEEL  
 FINISH: ZINC PLATED  
 QTY: 2  
 LENGTH: .50<sup>+.00</sup><sub>-.05</sub>

①② CABLE CLAMP INSERT  
 NYLON, COLOR:BLACK  
 QTY: 2



ASSEMBLED VIEW  
 SCALE 2:1

796380-2  
 796380-1  
 PART NUMBER

THIS DRAWING IS A CONTROLLED DOCUMENT.		DWN S.WELDON 11FEB2000	<b>STE</b> TE Connectivity	
DIMENSIONS: INCHES		CHK M.CHACKO 11FEB2000		
TOLERANCES UNLESS OTHERWISE SPECIFIED:		APVD M.CHACKO 11FEB2000	NAME CABLE CLAMP KIT, UNASSEMBLED, RIGHT ANGLE, SIZE 13, CPC	
0 PLC	±	PRODUCT SPEC	SIZE	RESTRICTED TO
1 PLC	±	APPLICATION SPEC	A200779	-
2 PLC	±	WEIGHT	C-796380	-
3 PLC	±0.005	CUSTOMER DRAWING	SCALE 3:1	SHEET 1 OF 1
4 PLC	±			REV F
ANGLES	±			
FINISH	-			