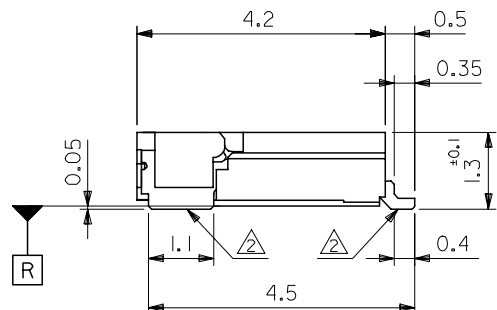
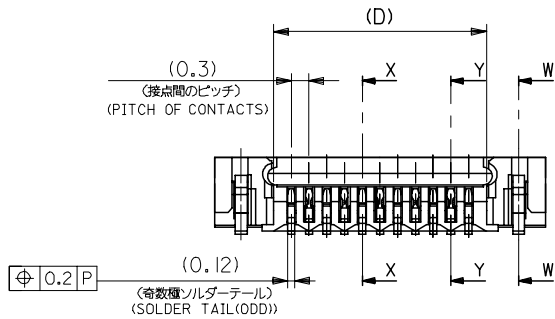


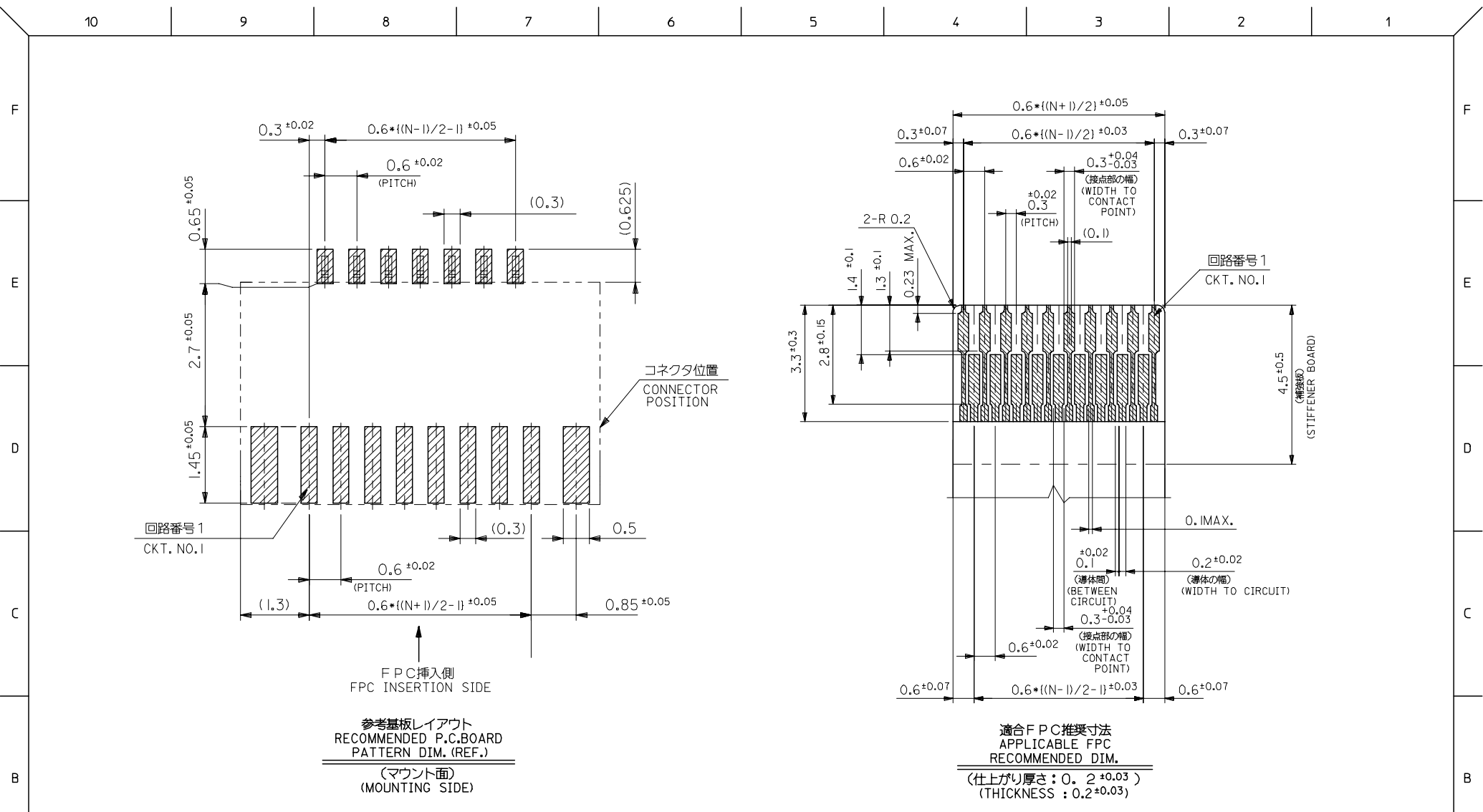
注記 NOTES

- 使用材料 MATERIAL  
 ハウジング HOUSING : LCP , UL94V-0  
 アクチュエータ ACTUATOR : PA46 , UL94V-0  
 ターミナル : リン青銅 (t=0.12) , 銅下地 半田メッキ  
 PHOSPHOR BRONZE , Sn-Pb OVER Cu PLATING.  
 金具 : リン青銅 (t=0.2) , 銅下地 半田メッキ  
 PHOSPHOR BRONZE , Sn-Pb OVER Cu PLATING.
- △ ソルダータール半田付け面のズレ量は、基準面 R に対し、  
 上方向 0.1 MAX. , 下方向 0.1 MAX. とする。  
 又、相互のバラツキ量は 0.1 MAX. とする。  
 MISALIGNMENT OF SOLDER TAILS AND FITTING NAILS FROM R  
 UPPER DIRECTION : 0.1 MAX. , LOWER DIRECTION : 0.1 MAX.  
 OFFSET BETWEEN SOLDER TAILS AND FITTING NAILS : 0.1 MAX.
- 一般公差 : ±0.3  
 GENERAL TOLERANCES : ±0.3



15.6	15.0	14.4	17.6	54809-5127	51
15.0	14.4	13.8	17.0	54809-4927	49
13.8	13.2	12.6	15.8	54809-4527	45
12.0	11.4	10.8	14.0	54809-3927	39
10.2	9.6	9.0	12.2	54809-3327	33
9.6	9.0	8.4	11.6	54809-3127	31
8.4	7.8	7.2	10.4	54809-2727	27
7.8	7.2	6.6	9.8	54809-2527	25
6.6	6.0	5.4	8.6	54809-2127	21
6.0	5.4	4.8	8.0	54809-1927	19
4.8	4.2	3.6	6.8	54809-1527	15
3.6	3.0	2.4	5.6	54809-1127	11
D	C	B	A	MATERIAL NO.	CKT.

REVISED EC NO: J2006-2559 DRW: NESATO 2006/02/28 CHK: KUKITA 2006/02/28 APPR: NUKITA 2006/02/28	GENERAL TOLERANCES (UNLESS SPECIFIED)		DIMENSION STYLE MM ONLY		SCALE ---	DESIGN UNITS METRIC	THIRD ANGLE PROJECTION
	10 UNDER	± ---	DRAWN BY YIMIZUNO	DATE 2001/06/26	TITLE 0.3 FPC CONN E/O HSG ASSY (H=1.3)		
	10 OVER 30 UNDER	± ---	CHECKED BY SKUNISHI	DATE 2002/12/10	MOLEX INCORPORATED		
	30 OVER	± ---	APPROVED BY TYAMAGUCHI	DATE 2003/08/08	DOCUMENT NO. SD-54809-026		
	ANGULAR ± --- °	DRAFT WHERE APPLICABLE MUST REMAIN WITHIN DIMENSIONS		MATERIAL NO. SEE CHART		SHEET NO. 1 OF 2	
		THIS DRAWING CONTAINS INFORMATION THAT IS PROPRIETARY TO MOLEX INCORPORATED AND SHOULD NOT BE USED WITHOUT WRITTEN PERMISSION					

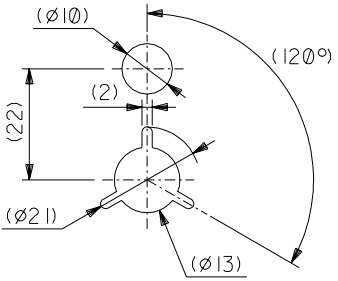
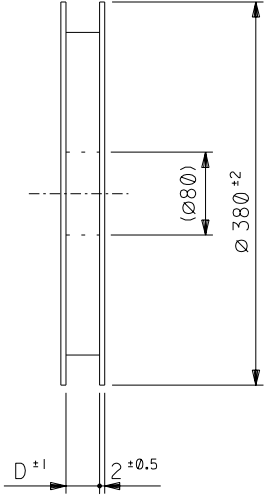
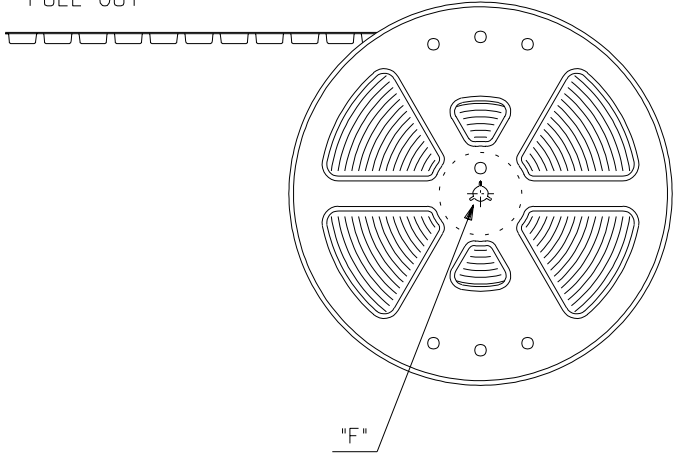


参考基板レイアウト  
RECOMMENDED P.C. BOARD  
PATTERN DIM. (REF.)  
(マウント面)  
(MOUNTING SIDE)

適合FPC推奨寸法  
APPLICABLE FPC  
RECOMMENDED DIM.  
(仕上がり厚さ: 0.2 ±0.03)  
(THICKNESS : 0.2 ±0.03)

REVISED EC NO: J2006-2559 DRAWN BY: DRWINESATO CHKD BY: CHKD:NUKITA APPR: NUKITA	GENERAL TOLERANCES (UNLESS SPECIFIED)		DIMENSION STYLE MM ONLY		SCALE ---	DESIGN UNITS METRIC	THIRD ANGLE PROJECTION	
	10 UNDER	± ---	DRAWN BY YIMIZUNO	DATE 2001/07/05	TITLE 0.3 FPC CONN E/O HSG ASSY (H=1.3)			
	10 OVER 30 UNDER	± ---	CHECKED BY SKUNISHI	DATE 2002/12/10	APPROVED BY TYAMAGUCHI			
	30 OVER	± ---	APPROVED BY TYAMAGUCHI		DATE 2002/12/10		MOLEX INCORPORATED	
	ANGULAR	± --- °	MATERIAL NO. SEE CHART		DOCUMENT NO. SD-54809-026		SHEET NO. 2 OF 2	
D	DRAFT WHERE APPLICABLE MUST REMAIN WITHIN DIMENSIONS		SIZE A3		THIS DRAWING CONTAINS INFORMATION THAT IS PROPRIETARY TO MOLEX INCORPORATED AND SHOULD NOT BE USED WITHOUT WRITTEN PERMISSION			

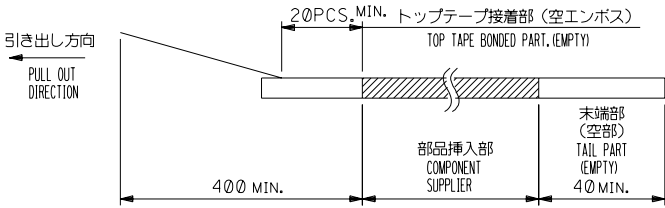
引き出し方向  
PULL OUT



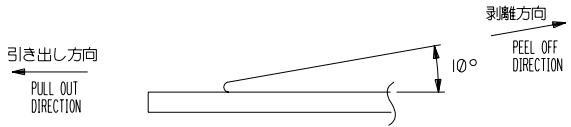
DETAIL "F"

注記 NOTES

- 製品詳細寸法については、図面SD-54809-026を参照下さい。  
RE DETAILED DIMENSION, SEE SD-54809-026.
- 梱包数量：2500個/リール  
NUMBER OF CONNECTORS : 2500PCS/REEL
- リードテープ長さ LEAD TAPE LENGTH



- トップテープの剥離強度：0.1N~0.7N (10.2gf~71.4gf)  
(剥離方向は下図参照)  
尚、本規格値は出荷時に適用。(但し、輸送時に剥離が発生しないこと。)  
PEELING OFF FORCE OF TOP TAPE : 0.1N ~ 0.7N (10.2gf ~ 71.4gf)  
(PEELING DIRECTION AS SHOWN IN FOLLOWING FIG,)  
THIS REQUIREMENT SHOULD BE APPLIED AT SHIPMENT.  
PEEL OFF SHOULD NOT BE ALLOWED, DURING TRANSPORTATION.

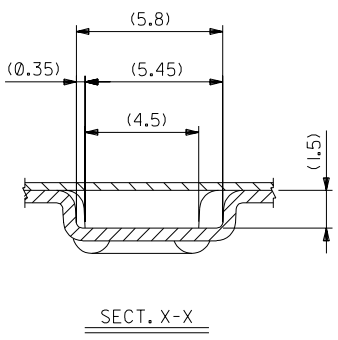
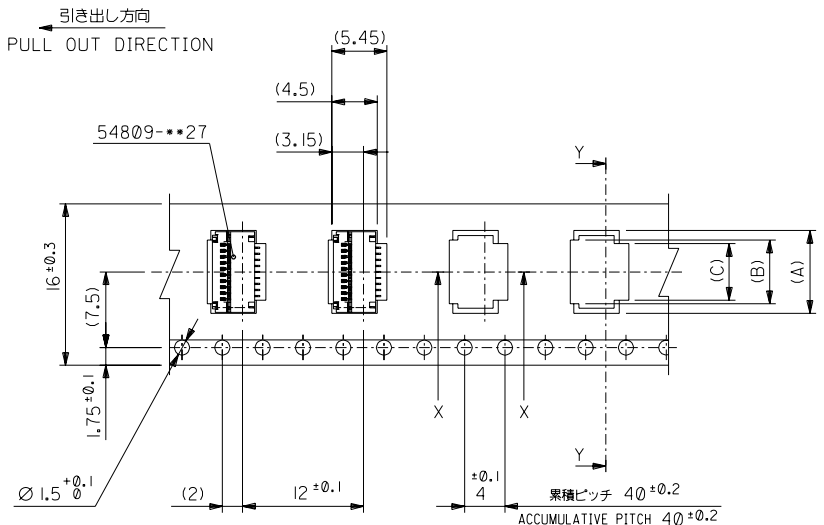
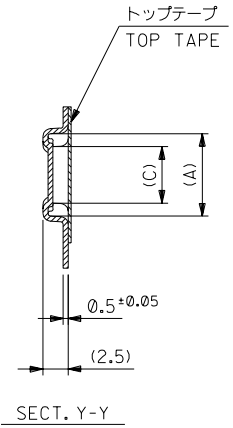


- 材料 (MATERIAL)  
キャリアテープ (CARRIER TAPE) : ポリプロピレン (POLYPROPYLENE)  
トップテープ (TOP TAPE) : PET, PE, PEF  
リール (REEL) : ポリスチレン (PS) <リサイクル材を含む>  
POLYSTYRENE (PS) <RECYCLE MATERIAL CONTAINED>

DO NOT SCALE DRAWING

EC NO. DRWN: CHK: APPR:	REVISED '02/12/10	EC NO. J2003-1623 DRWN: M.HAYASHI CHK: S.KUNISHI APPR: T.YAMAGUCHI	REVISED '02/12/10	EC NO. J2002-1623 DRWN: Y.MIZUNO '02/1/8 CHK: S.KUNISHI APPR: T.YAMAGUCHI	REVISED '02/12/10	EC NO. J2002-1067 DRWN: R.SUMIYA '01/10/31 CHK: S.KUNISHI APPR: T.YAMAGUCHI	RELEASED '02/12/10	EC NO. JC2002-0020 DRWN: Y.MIZUNO '01/7/5 CHK: S.KUNISHI '01/7/6 APPR: T.YAMAGUCHI	MATERIAL 材料	注記参照 SEE NOTES	GENERAL TOLERANCES: (UNLESS SPECIFIED) 一般公差	SCALE	DESIGN UNITS	THIRD ANGLE PROJECTION	DIMENSIONS:	SHT	REV
	FINISH 仕上げ								10 UNDER 未満			±0.2	DRAWN BY & DATE Y.MIZUNO '01/07/05	TITLE: Embstp Pkg FOR 0.3 FPC Conn E/O	mm INCH	mm ONLY	REVISE ON CAD ONLY
C		B		A		0		WIRE RANGE 適用線径範囲	//	ANGLE 角度	±3°	APPROVED BY & DATE T.YAMAGUCHI '02/12/10	CAD FILENAME 54809027.S05	MATERIAL NO. SEE CHART	DRAWING NO. SD-54809-027	SHEET NO. 1 OF 4	SIZE B

THIS DRAWING CONTAINS INFORMATION THAT IS PROPRIETARY TO MOLEX INCORPORATED AND SHOULD NOT BE USED WITHOUT WRITTEN PERMISSION.

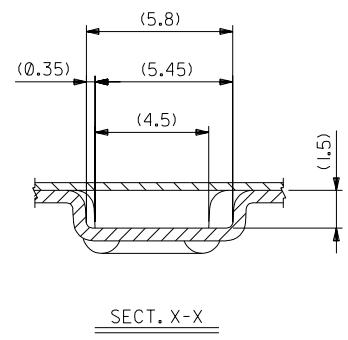
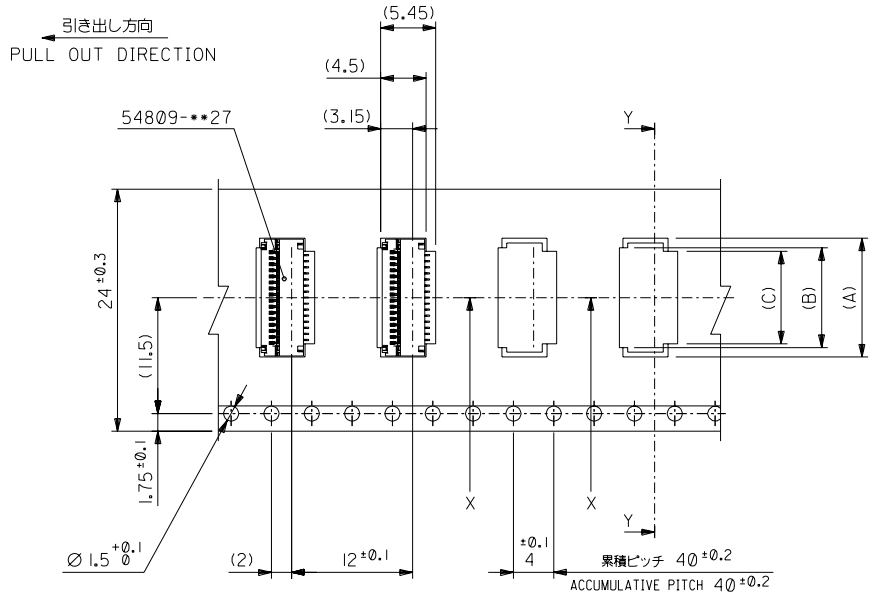
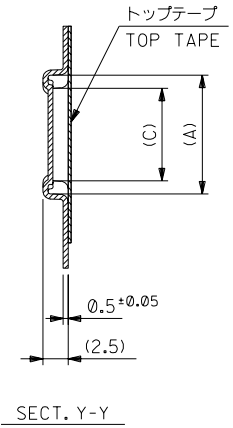


16mm幅キャリアテープ  
16mm WIDTH CARRIER TAPE

16	17.5	6.2	6.9	8.8	54809-2191	21
		5.6	6.3	8.2	54809-1991	19
		4.4	5.1	7.0	54809-1591	15
		3.2	3.9	5.8	54809-1191	11
キャリアテープ幅 CARRIER TAPE WIDTH	D	C	B	A	MATERIAL NO.	種数 CKT.

DO NOT SCALE DRAWING	EC NO. DRWN: CHK: APPR:	REVISED '02/12/10 EC NO. J2003-1623 DRWN: M.HAYASHI CHK: S.KUNISHI APPR: T.YAMAGUCHI	REVISED '02/12/10 EC NO. J2002-1623 DRWN: Y.MIZUNO '02/1/8 CHK: S.KUNISHI APPR: T.YAMAGUCHI	REVISED '02/12/10 EC NO. J2002-1067 DRWN: R.SUMIYA '01/10/31 CHK: S.KUNISHI APPR: T.YAMAGUCHI	RELEASED EC NO. JC2002-0020 DRWN: Y.MIZUNO '01/7/5 CHK: S.KUNISHI '01/7/6 APPR: T.YAMAGUCHI	MATERIAL 材料 //	FINISH 仕上げ //	WIRE RANGE 適用線径範囲 //	INS. RANGE 被覆外径 //	DESCRIPTION //	注記参照 SEE NOTES //	GENERAL TOLERANCES: (UNLESS SPECIFIED) 一般公差 10 UNDER 未滿 ±0.2 10 OVER 以上 30 UNDER 未滿 ±0.25 30 OVER 以上 ±0.3 ANGLE 角度 ±3°	SCALE // DESIGN UNITS <input checked="" type="checkbox"/> mm <input type="checkbox"/> INCH DRAWN BY & DATE Y.MIZUNO '01/07/05 CHECKED BY & DATE S.KUNISHI '02/12/10 APPROVED BY & DATE T.YAMAGUCHI '02/12/10 CAD FILENAME 54809027.S06	MODEL NO. 54809-**91 THIRD ANGLE PROJECTION DIMENSIONS: <input type="checkbox"/> mm <input type="checkbox"/> INCH <input checked="" type="checkbox"/> mm ONLY SHT REV	TITLE: Embstp Pkg FOR 0.3 FPC Conn E/O MOLEX MOLEX INCORPORATED MATERIAL NO. SEE CHART DRAWING NO. SD-54809-027 SHEET NO. 2 OF 4	REVISION ON CAD ONLY	THIS DRAWING CONTAINS INFORMATION THAT IS PROPRIETARY TO MOLEX INCORPORATED AND SHOULD NOT BE USED WITHOUT WRITTEN PERMISSION.	SIZE B		
	C	B	A	0	REV															
	8	7	6	5	4	3	2	1												

DWG. NO. SD-54809-027



24mm幅キャリアテープ  
24mm WIDTH CARRIER TAPE

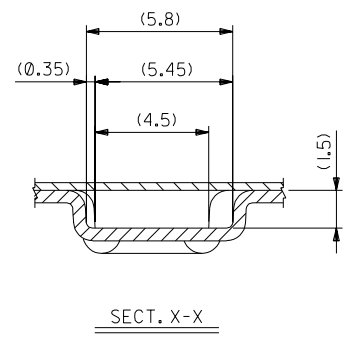
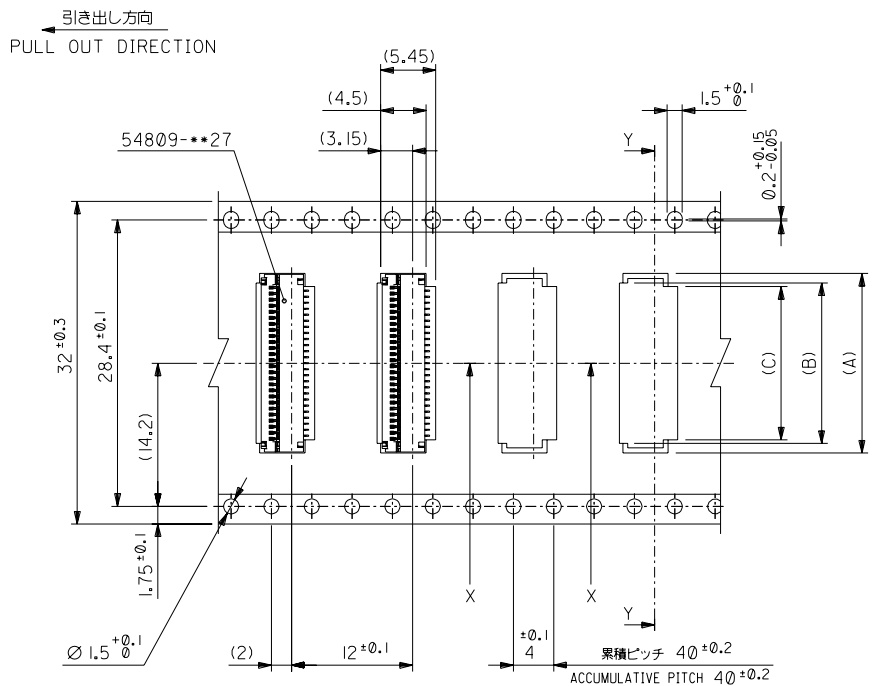
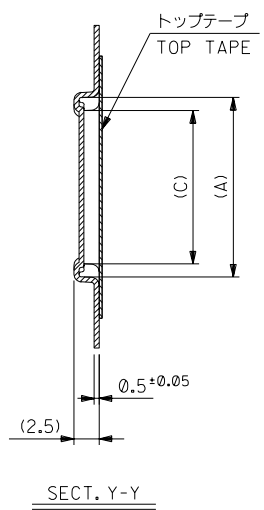
24	25.5	13.4	14.1	16.0	54809-4591	45
		11.6	12.3	14.2	54809-3991	39
		9.8	10.5	12.4	54809-3391	33
		9.2	9.9	11.8	54809-3191	31
		8.0	8.7	10.6	54809-2791	27
		7.4	8.1	10.0	54809-2591	25
キャリアテープ幅 CARRIER TAPE WIDTH	D	C	B	A	MATERIAL NO.	種数 CKT.

DO NOT SCALE DRAWING

EC NO. DRWN: CHK: APPR:	REVISED '02/12/10 EC NO. J2003-1623 DRWN: M.HAYASHI CHK: S.KUNISHI APPR: T.YAMAGUCHI	REVISED EC NO. J2002-1623 DRWN: Y.MIZUNO '02/1/8 CHK: S.KUNISHI APPR: T.YAMAGUCHI	REVISED EC NO. J2002-1067 DRWN: R.SUMIYA '01/10/31 CHK: S.KUNISHI APPR: T.YAMAGUCHI	RELEASED EC NO. JC2002-0020 DRWN: Y.MIZUNO '01/7/5 CHK: S.KUNISHI '01/7/6 APPR: T.YAMAGUCHI	DESCRIPTION MATERIAL 材料 FINISH 仕上げ WIRE RANGE 適用層線範囲 INS. RANGE 被覆外径	注記参照 SEE NOTES // // //
8	C	B	A	0	REV	

54809-***91		MODEL NO.		DIMENSIONS:		SHT	REV
SCALE --	DESIGN UNITS <input checked="" type="checkbox"/> mm <input type="checkbox"/> INCH	<input type="checkbox"/> THIRD ANGLE <input type="checkbox"/> PROJECTION	<input type="checkbox"/> mm <input type="checkbox"/> INCH	<input type="checkbox"/> mm <input type="checkbox"/> mm	<input checked="" type="checkbox"/> mm ONLY		REVISE ON CAD ONLY
DRAWN BY & DATE Y.MIZUNO '01/07/05		TITLE: Embstp Pkg FOR 0.3 FPC Conn E/O					
CHECKED BY & DATE S.KUNISHI '02/12/10		MOLEX MOLEX INCORPORATED					
APPROVED BY & DATE T.YAMAGUCHI '02/12/10		MATERIAL NO. SEE CHART	DRAWING NO. SD-54809-027	SHEET NO. 3 OF 4		SIZE B	
CAD FILENAME 54809027.S07		THIS DRAWING CONTAINS INFORMATION THAT IS PROPRIETARY TO MOLEX INCORPORATED AND SHOULD NOT BE USED WITHOUT WRITTEN PERMISSION.					

DWG. NO. SD-54809-027



32mm幅キャリアテープ  
32mm WIDTH CARRIER TAPE

DO NOT SCALE DRAWING

EC NO. DRWN: CHK: APPR:	REVISED '02/12/10 EC NO. J2003-1623 DRWN: M.HAYASHI CHK: S.KUNISHI APPR: T.YAMAGUCHI	REVISED EC NO. J2002-1623 DRWN: Y.MIZUNO '02/1/8 CHK: S.KUNISHI APPR: T.YAMAGUCHI	REVISED EC NO. J2002-1067 DRWN: R.SUMIYA '01/10/31 CHK: S.KUNISHI APPR: T.YAMAGUCHI	RELEASED EC NO. JC2002-0020 DRWN: Y.MIZUNO '01/7/5 CHK: S.KUNISHI '01/7/6 APPR: T.YAMAGUCHI	DESCRIPTION MATERIAL 材料 FINISH 仕上げ WIRE RANGE 適用層線範囲 INS. RANGE 被覆外径	注記参照 SEE NOTES // // //
----------------------------------	--	---	---	---	--	-------------------------------------

SCALE --// DRAWN BY & DATE Y.MIZUNO '01/07/05	DESIGN UNITS <input checked="" type="checkbox"/> mm <input type="checkbox"/> INCH	MODEL NO. 54809-***91	DIMENSIONS: <input type="checkbox"/> mm <input type="checkbox"/> INCH <input checked="" type="checkbox"/> mm ONLY	SHT 4 OF 4	REV REVISION ON CAD ONLY
CHECKED BY & DATE S.KUNISHI '02/12/10	APPROVED BY & DATE T.YAMAGUCHI '02/12/10	TITLE: Embstp Pkg FOR 0.3 FPC Conn E/O		MATERIAL NO. SD-54809-027	
CAD FILENAME 54809027.S08	MOLEX MOLEX INCORPORATED		DRAWING NO. SD-54809-027		SHEET NO. 4 OF 4
THIS DRAWING CONTAINS INFORMATION THAT IS PROPRIETARY TO MOLEX INCORPORATED AND SHOULD NOT BE USED WITHOUT WRITTEN PERMISSION.					SIZE B

32	33.5	15.2	15.9	17.8	54809-5191	51
キャリアテープ幅 CARRIER TAPE WIDTH	D	C	B	A	MATERIAL NO.	種数 CKT.
					54809-4991	49