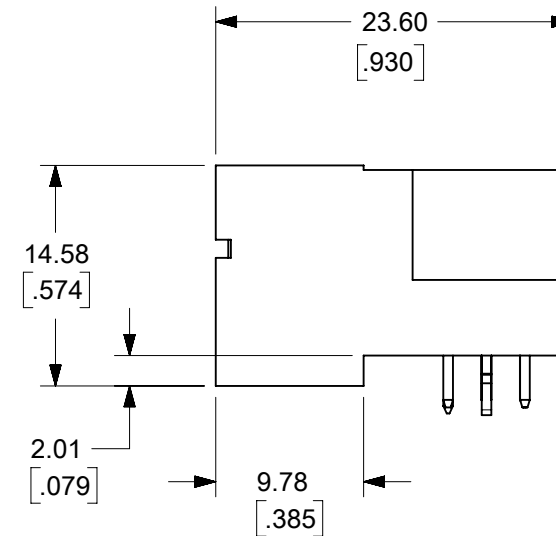


SHORT BLADE OPTION LONG BLADE OPTION

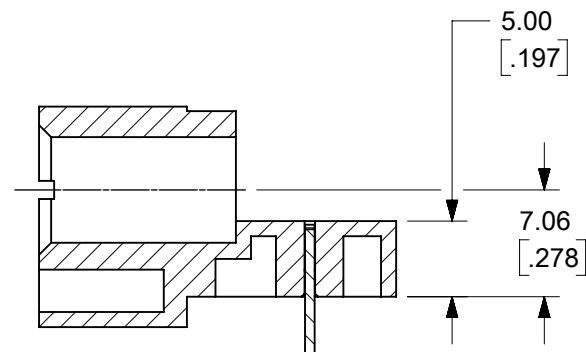
DETAIL R
(SEE TABLE FOR BLADE OPTION)



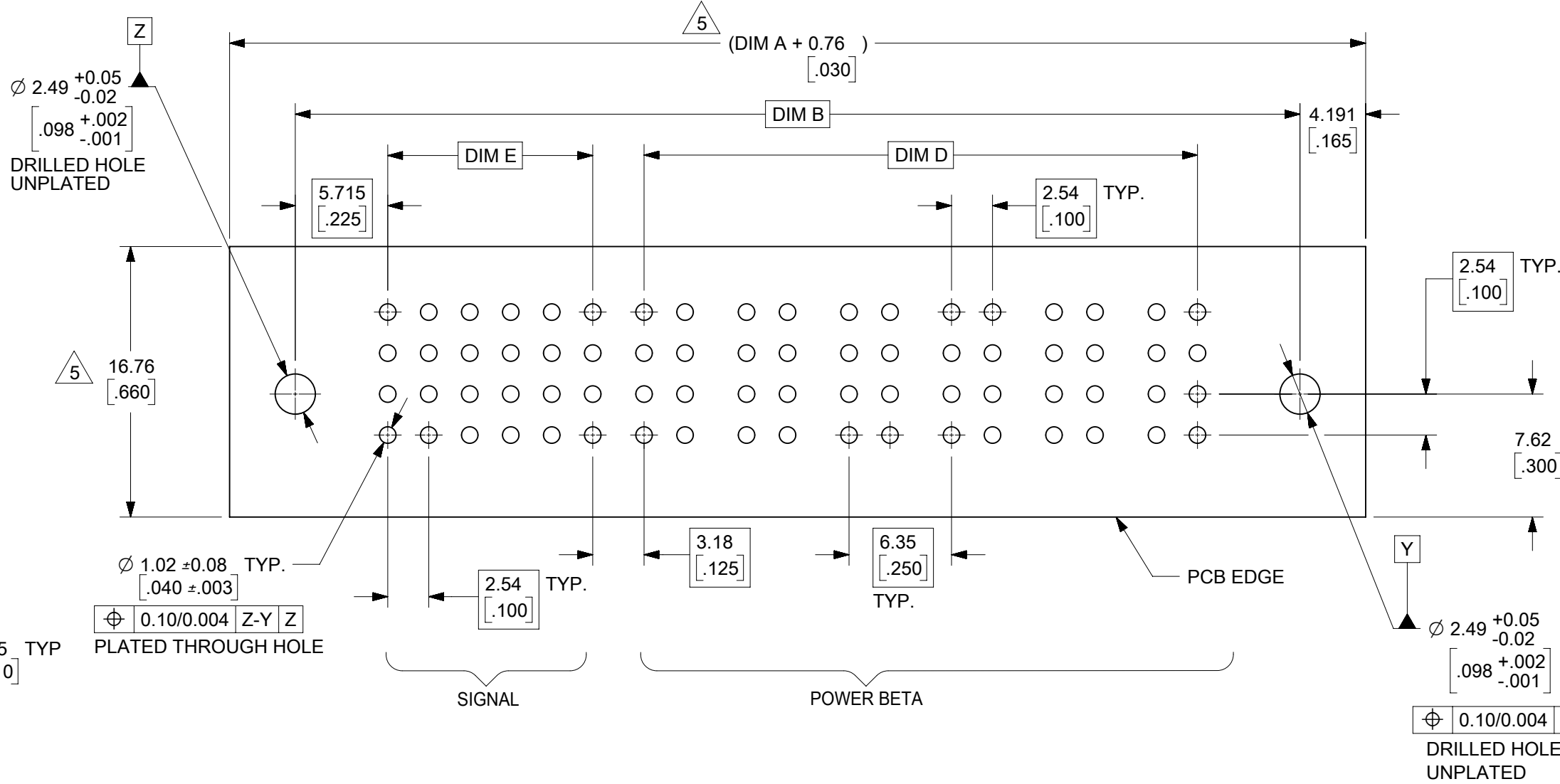
NOTES:

- 1 MATERIALS : HOUSING - LCP, GLASS FILLED, UL94V-0, COLOR: BLACK
POWER PINS - COPPER ALLOY
SIGNAL PINS - COPPER ALLOY
BOARD LOCK - COPPER ALLOY
- 2 FINISHES: POWER AD SIGNAL PINS
SELECTIVE GOLD IN THE CONTACT AREA
THICKNESS = 0.76 MICROMETER / 30 MICROINCH MINIMUM
SELECTIVE TIN IN THE PC TAIL AREA
THICKNESS = 2.54 MICROMETER / 100 MICROINCH MINIMUM
1.27um MINIMUM NICKEL OVERALL UNDERPLATE.
- 3 PRODUCT SPECIFICATIONS : PS-87631-006
- 4 SEE SHEET 2 FOR RECOMMENDED PCB LAYOUT AND THICKNESS
- 5 COMPONENT STAY AWAY ZONE FROM CONNECTOR
- 6 REFER TO THE TABLE ON TOP OF PAGE 3/3 FOR RECESSED PINS LOCATION
- 7 24 SIGNAL - 6 POWER CONNECTOR IS SHOWN FOR ILLUSTRATIO

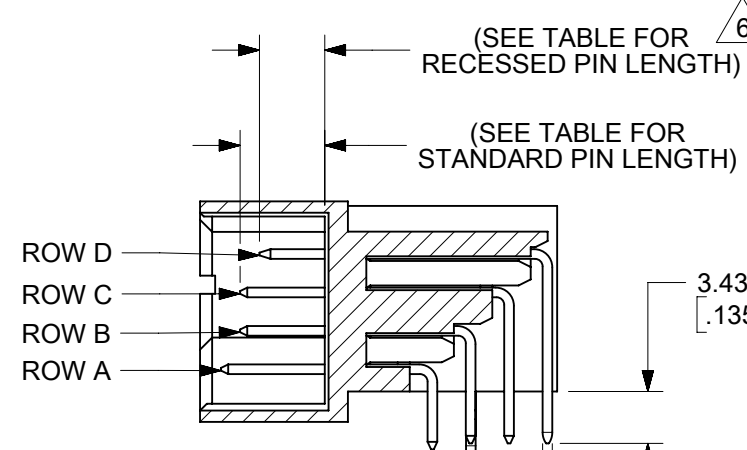
THIS DRAWING CONTAINS INFORMATION THAT IS PROPRIETARY TO MOLEX ELECTRONIC TECHNOLOGIES, LLC AND SHOULD NOT BE USED WITHOUT WRITTEN PERMISSION									
DIMENSION UNITS MM/INCH		SCALE NTS		CURRENT REV DESC: OBSOLETE PART NO				molex	
GENERAL TOLERANCES (UNLESS SPECIFIED)				EC NO: 625872					
4 PLACES ±		±		DRWN: VLOKESHA 2019/09/05				POWER CONNECTOR PLUG	
3 PLACES ±		± 0.01		CHK'D: GB 2019/11/06				S-P(B) CONFIGURATION R/A, T/H, BOARD-LOCK	
2 PLACES ±		± 0.25		APPR: GGA 2019/11/12				PRODUCT CUSTOMER DRAWING	
1 PLACE ±		±		INITIAL REVISION:				DOCUMENT NUMBER	
0 PLACES ±		±		DRWN: BHLOW 2002/10/28				SD-87667-013	
ANGULAR TOL ± 3.0°		± 3.0°		APPR: SKTOH 2002/11/12				DOC TYPE DOC PART REVISION	
DRAFT WHERE APPLICABLE MUST REMAIN WITHIN DIMENSIONS		THIRD ANGLE PROJECTION		DRAWING		SERIES		MATERIAL NUMBER	
		A3-SIZE		87667		SEE TABLE		CUSTOMER	
				CHEROKEE		SHEET NUMBER		1 OF 3	



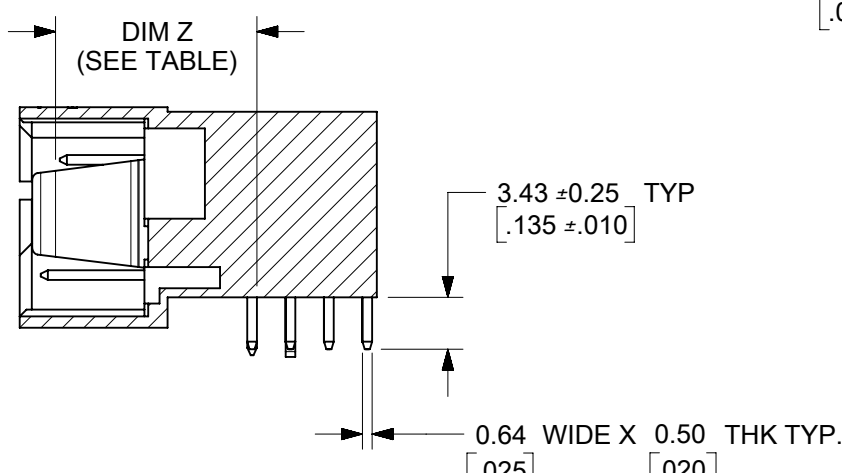
SECTION X-X



RECOMENDED PCB LAYOUT



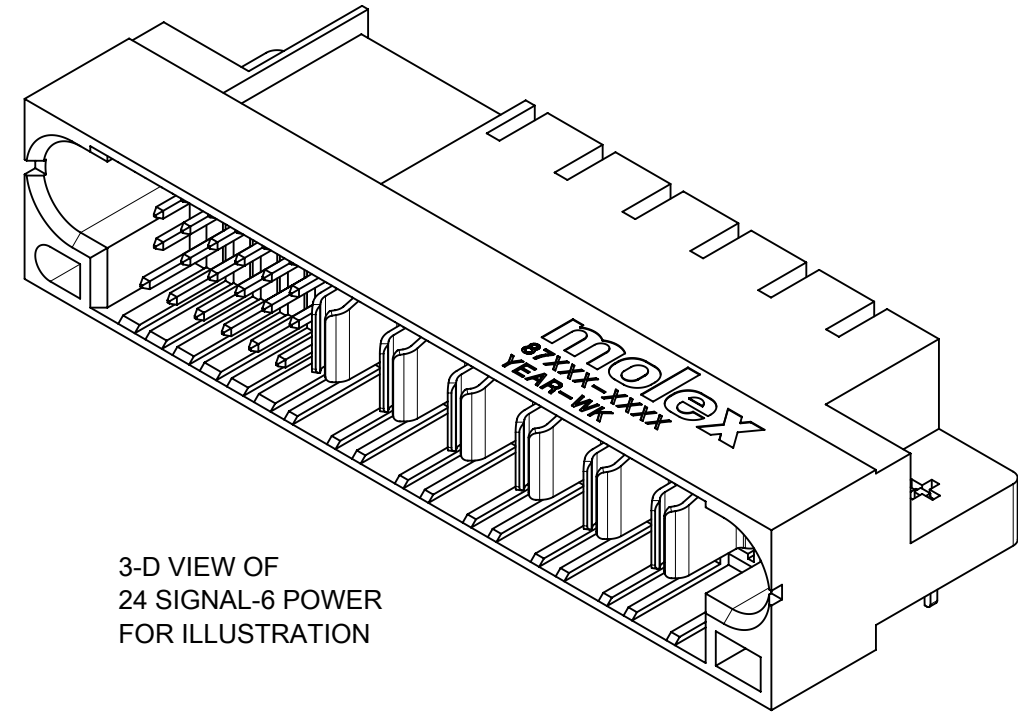
SECTION Y-Y



SECTION Z-Z

THIS DRAWING CONTAINS INFORMATION THAT IS PROPRIETARY TO MOLEX ELECTRONIC TECHNOLOGIES, LLC AND SHOULD NOT BE USED WITHOUT WRITTEN PERMISSION									
DIMENSION UNITS MM/INCH		SCALE NTS		CURRENT REV DESC: OBSOLETE PART NO					
GENERAL TOLERANCES (UNLESS SPECIFIED)				EC NO: 625872					
				4 PLACES ±		±		DRWN: VLOKESHA 2019/09/05	
				3 PLACES ±		± 0.01		CHK'D: GB 2019/11/06	
				2 PLACES ±		0.25 ±		APPR: GGA 2019/11/12	
				1 PLACE ±		±		INITIAL REVISION:	
				0 PLACES ±		±		DRWN: BHLOW 2002/10/28	
				ANGULAR TOL ±		3.0°		APPR: SKTOH 2002/11/12	
DRAFT WHERE APPLICABLE MUST REMAIN WITHIN DIMENSIONS				THIRD ANGLE PROJECTION		DRAWING		SERIES	
						A3-SIZE		87667	
DOCUMENT NUMBER		DOC TYPE		DOC PART		REVISION		SHEET NUMBER	
SD-87667-013		PSD		001		E		2 OF 3	
MATERIAL NUMBER		CUSTOMER		SEE TABLE		CHEROKEE			

PART NUMBER	S-P CONFIGURATION		DIM A	DIM B	DIM C	DIM D	DIM E	POWER BLADE OPTIONS		STANDARD SIGNAL	RECESS SIGNAL		VOID PIN LOCATION	PACKAGING
	SIGNAL	POWER BETA						TYPE	DIM Z±0.13/.005	PIN LENGTH	PIN LENGTH	LOCATION		
87667-5003	24	6	69.85 2.750	62.23 2.450	60.96 2.400	34.29 1.350	12.70 .500	LONG CONTACT	14.12/.556	6.86/.270	5.59/.220	A1,A2, B1,B2, C1,C2, D1,D2	NIL	TRAY
87667-5011	12	10	87.63 3.45	80.01 3.150	78.74 3.100	59.69 2.350	5.08 .200	LONG CONTACT	14.12/.556	6.86/.270	5.59/.220	NIL	NIL	TRAY



3-D VIEW OF
24 SIGNAL-6 POWER
FOR ILLUSTRATION

THIS DRAWING CONTAINS INFORMATION THAT IS PROPRIETARY TO MOLEX ELECTRONIC TECHNOLOGIES, LLC AND SHOULD NOT BE USED WITHOUT WRITTEN PERMISSION												
DIMENSION UNITS MM/INCH		SCALE NTS		CURRENT REV DESC: OBSOLETE PART NO								
GENERAL TOLERANCES (UNLESS SPECIFIED)				EC NO: 625872								
				DRWN: VLOKESHA 2019/09/05				POWER CONNECTOR PLUG				
				CHK'D: GB 2019/11/06				S-P(B) CONFIGURATION R/A, T/H, BOARD-LOCK				
				APPR: GGA 2019/11/12				PRODUCT CUSTOMER DRAWING				
				INITIAL REVISION:				DOCUMENT NUMBER		DOC TYPE	DOC PART	REVISION
				DRWN: BHLOW 2002/10/28				SD-87667-013		PSD	001	E
				APPR: SKTOH 2002/11/12				MATERIAL NUMBER		CUSTOMER		SHEET NUMBER
DRAFT WHERE APPLICABLE MUST REMAIN WITHIN DIMENSIONS		THIRD ANGLE PROJECTION		DRAWING	SERIES	MATERIAL NUMBER	CUSTOMER		SHEET NUMBER			
				A3-SIZE	87667	SEE TABLE	CHEROKEE		3 OF 3			