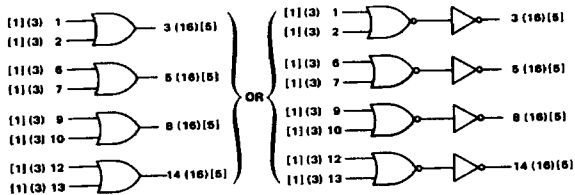


QUAD 2-INPUT
"OR" GATE

PLASTIC MRTL MC700P/800P series

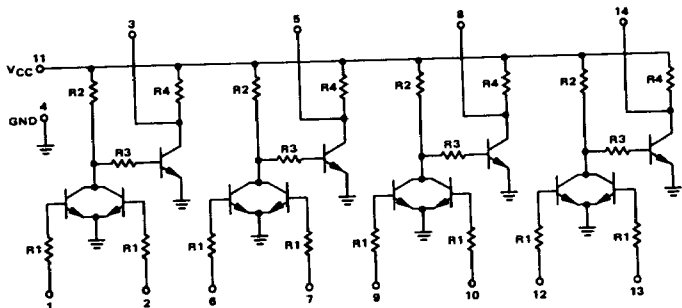
MC9715P • MC9815P

MC9715P/9815P provides increased logic flexibility,
quad 2-input OR gates housed in a single 14-pin dual in-line
plastic package.



$P_D = 100$ mW typ (Inputs Low)
 $= 28$ mW typ (Inputs High)
 Operating $f = 14$ MHz typ

Number in Parentheses indicates mW MRTL Loading Factor.
 Number in Brackets indicates MRTL Loading Factor.



TYPICAL RESISTANCE VALUES
 $R1 = 480 \Omega$ $R3 = 500 \Omega$
 $R2 = 1.8 k$ $R4 = 640 \Omega$

MC9715P, MC9815P (continued)

ELECTRICAL CHARACTERISTICS

Test procedures are shown for only one pin unless otherwise noted. Other pins are tested in the same manner.

Characteristic	Symbol	Pin Under Test	TEST VOLTAGE VALUES (Volts)																								
			0°C			+25°C			+75°C			+15°C			+25°C			+55°C									
			Min	Max	Unit	Min	Max	Unit	Min	Max	Unit	Min	Max	Unit	Min	Max	Unit	Min	Max	Unit							
			MC9815P Test Limits			MC9715P Test Limits			MC9815P Test Limits			MC9715P Test Limits			MC9815P Test Limits			MC9715P Test Limits									
Input Current	I _{in}	1	-	600	-	600	-	570	-	570	-	500	-	500	-	470	-	470	μA	Adc	1	-	2	-	11	4	
		2	-	600	-	600	-	570	-	570	-	500	-	500	-	470	-	470	μA	Adc	2	-	1	-	11	4	
Output Current	I _{AS}	3	3.0	-	3.0	-	2.85	-	2.85	-	2.65	-	2.65	-	2.50	-	2.50	mA	Adc	-	-	-	-	-	11	4	
		3	-	400	-	400	-	300	-	300	-	300	-	300	-	290	-	290	mVdc	-	-	-	-	-	11	4	
Power Supply Drain Current	I _{PD1} I _{PD2}	11	-	-	-	9.5	-	-	-	9.5	-	-	-	33	-	-	-	33	mA	Adc	-	-	-	-	-	11	4
		11	-	-	-	33	-	-	-	33	-	-	-	-	33	-	-	-	33	mA	Adc	-	-	-	-	-	11
Switching Times	t ₁₋₃₊ t ₁₋₃₋ t ₂₋₃₊ t ₂₋₃₋	3	-	-	-	50	-	-	-	50	-	-	-	50	-	-	-	50	ns	-	-	-	-	-	-	11	2,4
		3	-	-	-	45	-	-	-	45	-	-	-	45	-	-	-	45	ns	-	-	-	-	-	-	11	2,4
		3	-	-	-	50	-	-	-	50	-	-	-	50	-	-	-	50	ns	-	-	-	-	-	-	11	1,4
		3	-	-	-	45	-	-	-	45	-	-	-	45	-	-	-	45	ns	-	-	-	-	-	-	11	1,4

Ground unused input pins. Other pins not listed are left open.

*All inputs at V_{BOOT} (inputs 1, 2, 6, 7, 9, 10, 12, 13).

**All inputs at ground (inputs 1, 2, 6, 7, 9, 10, 12, 13).

MC9715P, MC9815P (continued)

SWITCHING TIMES TEST CIRCUIT AND WAVEFORMS

