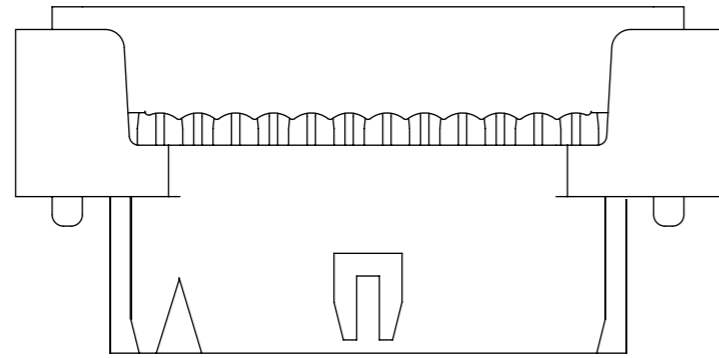


1. MATERIALS:
HOUSING - PBT. GLASS FILLED UL94V-0 BLACK
TERMINAL - COPPER ALLOY
2. FINISHES
PLATING 3 - 15µin (0.38µm) SELECTIVE GOLD IN CONTACT AREA
AND 75µin (1.88µm) TIN IN IDT AREA OVER 50µin (1.25µm)
NICKEL OVERALL.
PLATING 4 - 30µin (0.76µm) SELECTIVE GOLD IN CONTACT AREA
AND 75µin (1.88µm) TIN IN IDT AREA OVER 50µin (1.25µm)
NICKEL OVERALL.
PLATING 5 - 2µin (0.05µm) SELECTIVE GOLD IN CONTACT AREA
AND 75µin (1.88µm) TIN IN IDT AREA OVER 50µin (1.25µm)
NICKEL OVERALL.
3. PRODUCT SPEC PS-87568-004 APPLIES.
4. FOR ILLUSTRATION PURPOSES, 12 CKT IS SHOWN.
5. PART MATES WITH ALL MILLIGRID HEADERS WITH MATING LENGTH (H5)
BETWEEN 2.50mm AND 4.20mm WITH THE RIGHT KEYING OPTION.
6. PART IS DESIGNED FOR 1.00mm PITCH FLAT CABLE, 7 STRANDS,
AWG #28, UL2651 AND UL2678.
7. ALL OTHER CIRCUIT SIZES, CONTACT FACTORY.
8. STRAIN RELIEF TO BE PURCHASED SEPERATELY.
REFER TO SD-87569-008.
9. PACKAGING SPECIFICATION :PK-87568-0001.

THIS DRAWING CONTAINS INFORMATION THAT IS PROPRIETARY TO MOLEX ELECTRONIC TECHNOLOGIES, LLC AND SHOULD NOT BE USED WITHOUT WRITTEN PERMISSION

EC NO: 749397 DRWN: SUAIFR CHK'D: SUAIFR REV APPR: MIRAMAKRISHNA	2023/05/12	GENERAL TOLERANCES (UNLESS SPECIFIED)		DIMENSION UNITS		SCALE										
	2023/05/12	MM	INCH	MM	NTS	DRWN BY						DATE				
	2023/05/13	4 PLACES	±	±	AGARWAL		1997/08/05		MGRID 2MM DUAL ROW IDT RECEPTACLE PRODUCT CUSTOMER DRAWING							
	H5 REV	3 PLACES	±	±	CHK'D BY		DATE						SERIES	MATERIAL NUMBER	CUSTOMER	
		2 PLACES	± 0.15	±	SQUEK		1997/09/03						87568	SEE TABLE	GENERAL MARKET	
1 PLACES		±	±	APPR BY		DATE		DOCUMENT NUMBER	DOC TYPE	DOC PART	SHEET NUMBER					
0 PLACES		±	±	MLONG		2009/11/13		SD-87568-003	PSD	001	1 OF 3					
ANGULAR TOL = 3.0		DRAWING SIZE		THIRD ANGLE PROJECTION												
DRAFT WHERE APPLICABLE MUST REMAIN WITHIN DIMENSIONS		A3														

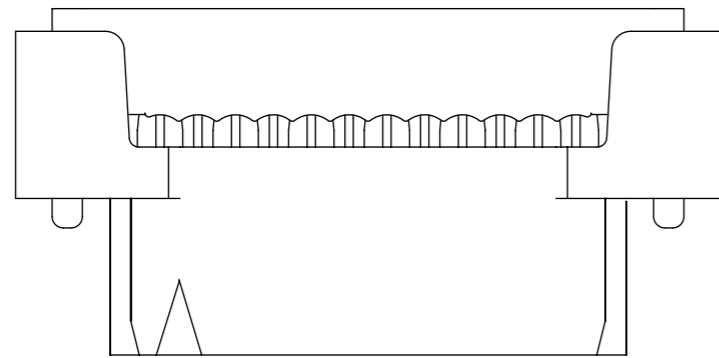
ENGINEERING NUMBER	CKT. SIZE	A	B	C	D	E
87568-10**	10	16.65	8.00	14.90	11.65	10.55
87568-12**	12	18.65	10.00	16.90	13.65	12.55
87568-14**	14	20.65	12.00	18.90	15.65	14.55
87568-16**	16	22.65	14.00	20.90	17.65	16.55
87568-20**	20	26.65	18.00	24.90	21.65	20.55
87568-22**	22	28.65	20.00	26.90	23.65	22.55
87568-24**	24	30.65	22.00	28.90	25.65	24.55
87568-26**	26	32.65	24.00	30.90	27.65	26.55
87568-30**	30	36.65	28.00	34.90	31.65	30.55
87568-32**	32	38.65	30.00	36.90	33.65	32.55
87568-34**	34	40.65	32.00	38.90	35.65	34.55
87568-36**	36	42.65	34.00	40.90	37.65	36.55
87568-40**	40	46.65	38.00	44.90	41.65	40.55
87568-44**	44	50.65	42.00	48.90	45.65	44.55
87568-50**	50	56.65	48.00	54.90	51.65	50.55



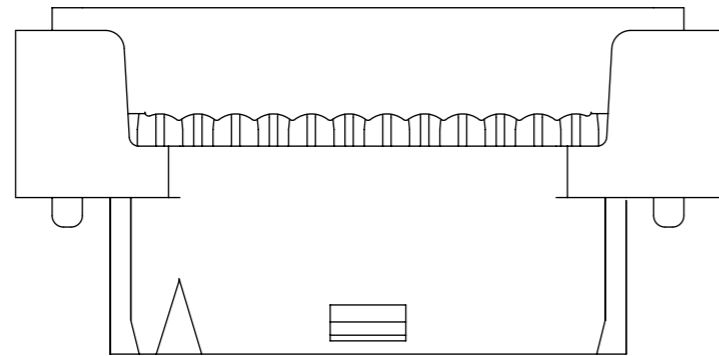
87568-**4*
POLARIZATION ONLY
(APPLICABLE FOR 14 TO 50CKT)



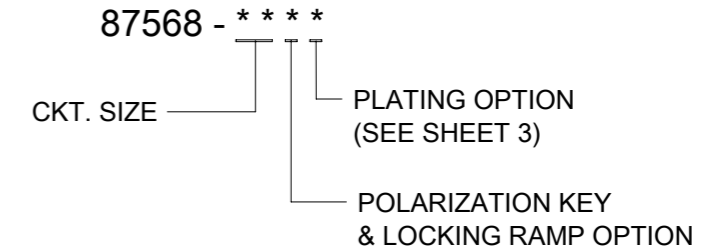
87568-**9*
POLARIZATION AND RAMP LOCKING
(APPLICABLE FOR 14 TO 50 CKT)



87568-**6*
NO POLARIZATION/RAMP FEATURE
(APPLICABLE FOR 10 TO 50 CKT)



87568-**7*
SINGLE RAMP LOCKING ONLY
(APPLICABLE FOR 10 TO 12 CKT)



- 4 - WITH POLARIZATION ONLY FOR 14-50 CKT
- 6 - WITHOUT POLARIZATION AND RAMP LOCKING
- 7 - WITH SINGLE RAMP LOCKING ONLY FOR 10 & 12 CKT
- 9 - WITH POLARIZATION AND RAMP LOCKING 14 - 50 CKT
- 10-12 CIRCUIT SIZE HAS ONLY ONE RAMP FOR LOCKING (OPTIONAL)
- 14-50 CIRCUIT SIZE HAS BOTH POLARIZATION AND RAMP LOCKING (OPTIONAL)

THIS DRAWING CONTAINS INFORMATION THAT IS PROPRIETARY TO MOLEX ELECTRONIC TECHNOLOGIES, LLC AND SHOULD NOT BE USED WITHOUT WRITTEN PERMISSION

EC NO: 749397 DRWN: SUAIFR CHKD: SUAIFR APPR: MRAMAKRISHNA	GENERAL TOLERANCES (UNLESS SPECIFIED)		DIMENSION UNITS	SCALE				
			MM	NTS				
	4 PLACES	±	MM	INCH		DRWN BY	DATE	
	3 PLACES	±	MM	INCH		AGARWAL	1997/08/05	
	2 PLACES	± 0.15	MM	INCH		CHK'D BY	DATE	
1 PLACES	±	MM	INCH	SQUEK	1997/09/03			
0 PLACES	±	MM	INCH	APPR BY	DATE			
				MLONG	2009/11/13			
		ANGULAR TOL = 3.0	DRAWING SIZE	THIRD ANGLE PROJECTION	SERIES	MATERIAL NUMBER	CUSTOMER	
			A3		87568	SEE TABLE	GENERAL MARKET	
		DRAFT WHERE APPLICABLE MUST REMAIN WITHIN DIMENSIONS			DOCUMENT NUMBER	DOC TYPE	DOC PART	SHEET NUMBER
H5					SD-87568-003	PSD	001	2 OF 3

9 8 7 6 5 4 3 2 1

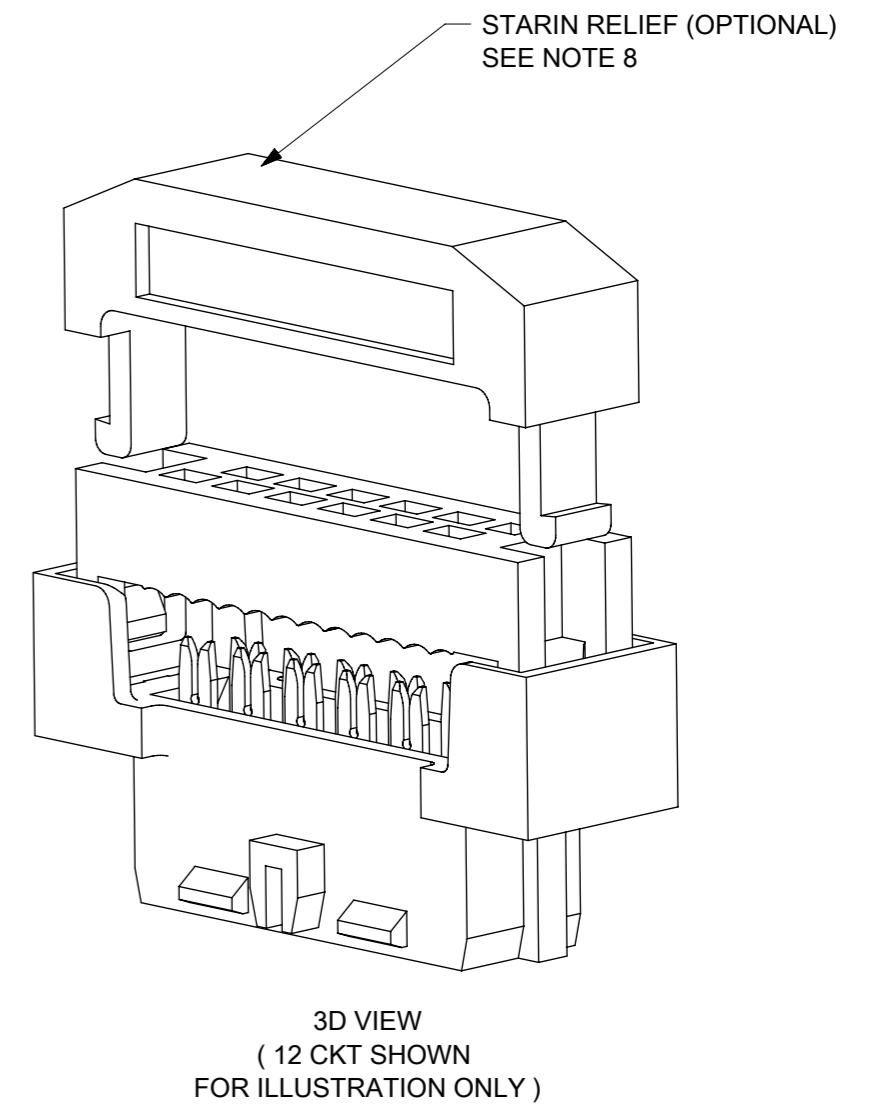
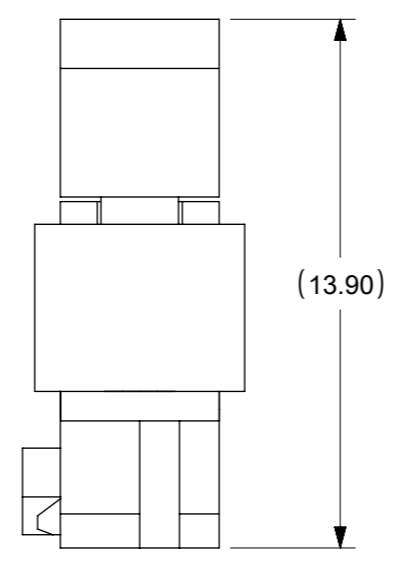
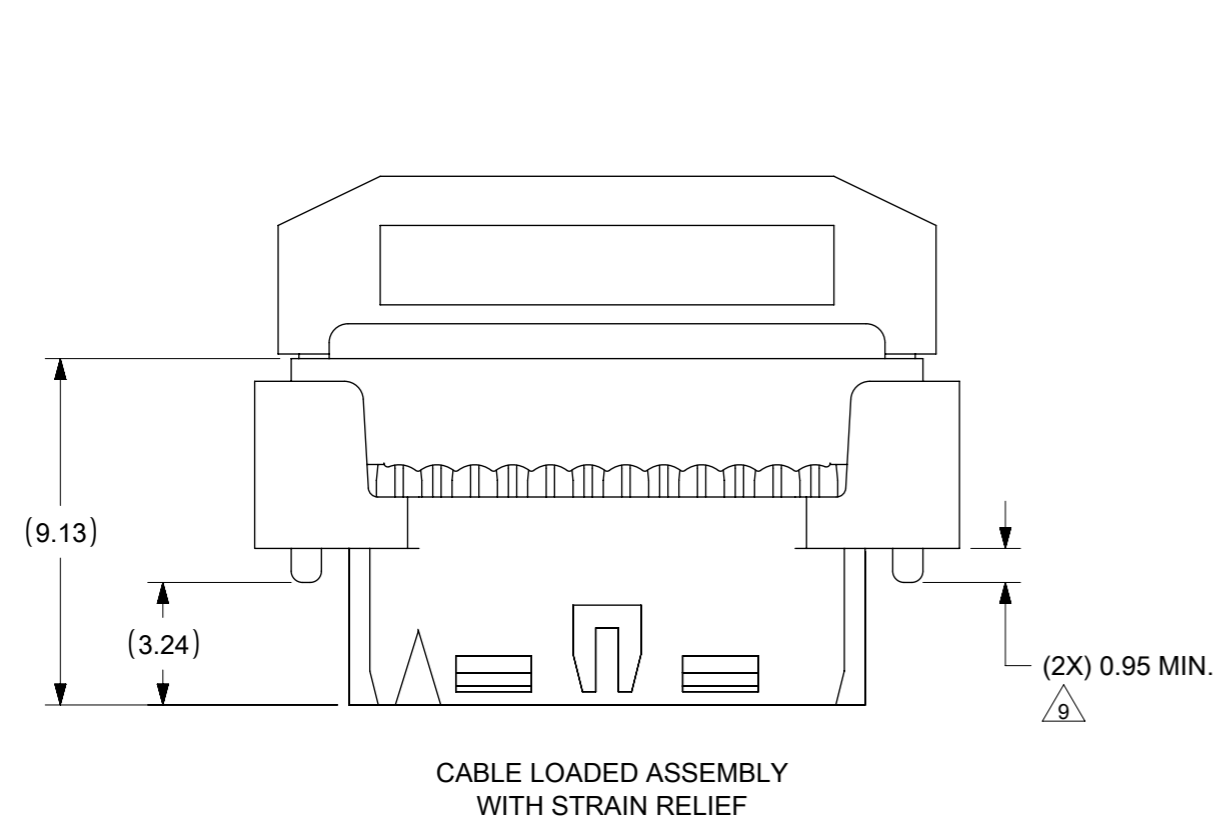
E

D

C

B

A



NOTES

1 THIS DIMENSION IS TO ENSURE GOOD CABLE TERMINATION.

THIS DRAWING CONTAINS INFORMATION THAT IS PROPRIETARY TO MOLEX ELECTRONIC TECHNOLOGIES, LLC AND SHOULD NOT BE USED WITHOUT WRITTEN PERMISSION

EC NO: 749397 DRWN: SUAIFR CHK'D: SUAIFR REV APPR: MIRAMAKRISHNA	2023/05/12	GENERAL TOLERANCES (UNLESS SPECIFIED)		DIMENSION UNITS		SCALE					
	2023/05/12	MM	INCH	MM	NTS						
	2023/05/13	4 PLACES	±	±	DRWN BY	DATE	MGRID 2MM DUAL ROW IDT RECEPTACLE				
		3 PLACES	±	±	AGARWAL	1997/08/05					
		2 PLACES	± 0.15	±	CHK'D BY	DATE					
		1 PLACES	±	±	SQUEK	1997/09/03	PRODUCT CUSTOMER DRAWING				
	0 PLACES	±	±	APPR BY	DATE						
		ANGULAR TOL = 3.0		MLONG	2009/11/13	SERIES	MATERIAL NUMBER	CUSTOMER			
		DRAFT WHERE APPLICABLE MUST REMAIN WITHIN DIMENSIONS		DRAWING SIZE	THIRD ANGLE PROJECTION	87568	SEE TABLE	GENERAL MARKET			
				A3		DOCUMENT NUMBER		DOC TYPE	DOC PART	SHEET NUMBER	
						SD-87568-003		PSD	001	3 OF 3	

RELEASE STATUS	P1	RELEASE DATE	2023/05/13	01:47:28
----------------	----	--------------	------------	----------

9 8 7 6 5 4 3 2 1