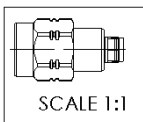
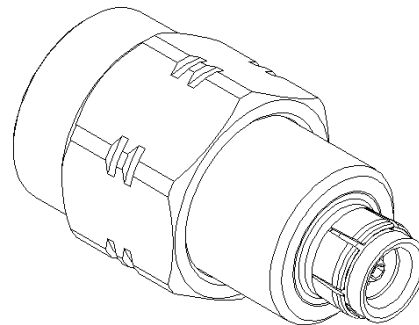
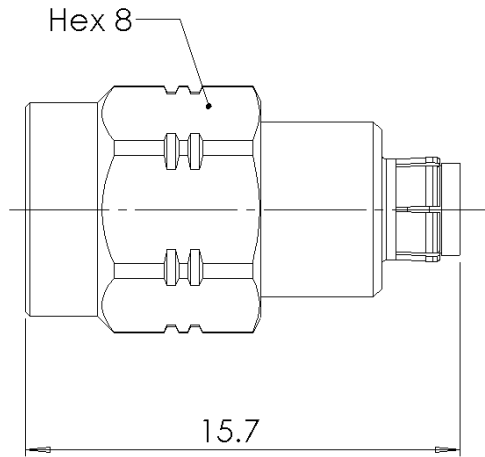
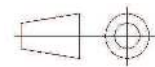


PAGE 1/2	ISSUE 1329A	SERIES ADAPT	PART NUMBER R191389100
----------	-------------	--------------	-------------------------------



All dimensions are in mm.



COMPONENTS	MATERIALS	PLATING (µm)
Body	BRASS	NPGR
Center contact	BERYLLIUM COPPER	GOLD OVER NICKEL
Outer contact	BERYLLIUM COPPER	NPGR
Insulator	PTFE	
Gasket	SILICONE RUBBER	
Others parts	BRASS	GOLD OVER NICKEL
-	-	-
-	-	-

PAGE 2/2	ISSUE 1329A	SERIES ADAPT	PART NUMBER R191389100
----------	-------------	--------------	-------------------------------

PACKAGING

Standard	Unit	Other
	Contact us	Contact us

ELECTRICAL CHARACTERISTICS

Impedance		50	Ω
Frequency		0-12.4	GHz
VSWR	1.083*	+	0.0100 x F(GHz) Maxi
Insertion loss		0.12	√F(GHz) dB Maxi
RF leakage	- (100**	- F(GHz)) dB Maxi
Voltage rating		330	Veff Maxi
Dielectric withstanding voltage		500	Veff mini
Insulation resistance		1000	MΩ mini

ENVIRONMENTAL

Operating	-55/+155°	°C
Hermetic seal	NA	Atm.cm3/s
Panel leakage	NA	

MECHANICAL CHARACTERISTICS

Center contact retention			
Axial force – Mating End		10	N mini
Axial force – Opposite end		10	N mini
Torque		NA	N.cm mini
Recommended torque			
Mating	SMA-COM	100	N.cm
	MMBX	0	N.cm
		0	N.cm
Panel nut		NA	N.cm
Mating life		500	Cycles mini
Weight		3.1570	g

SPECIFICATION

OTHER CHARACTERISTICS

***to 6 GHz**
****Interface MMBX only up to 2.5GHz**