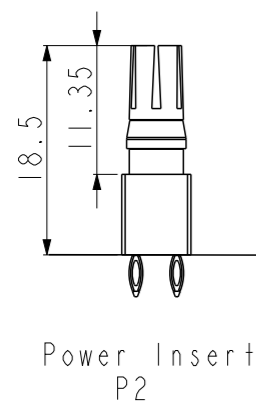
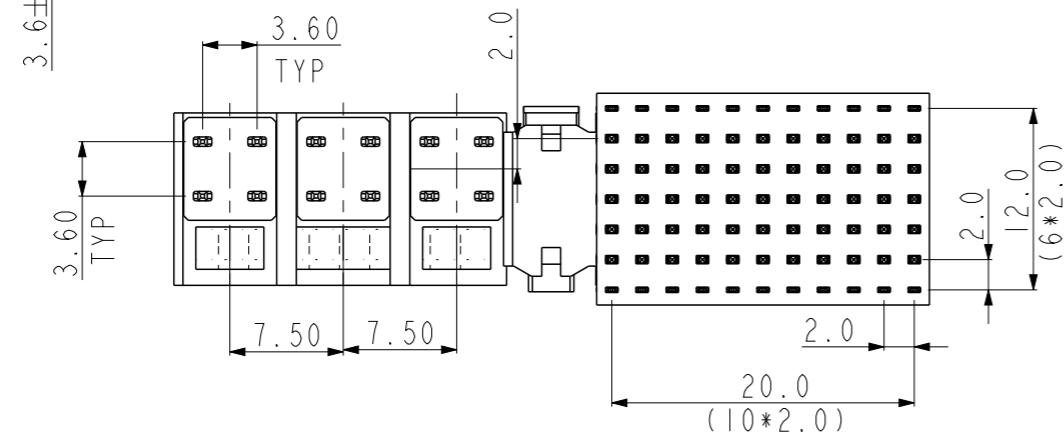
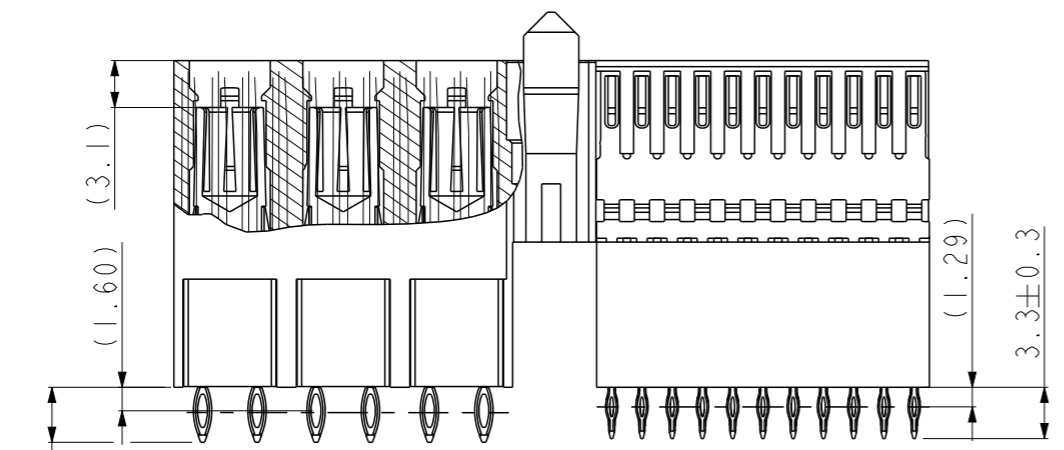
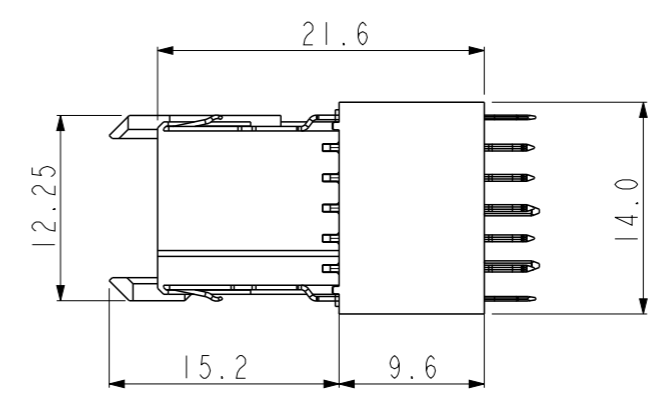
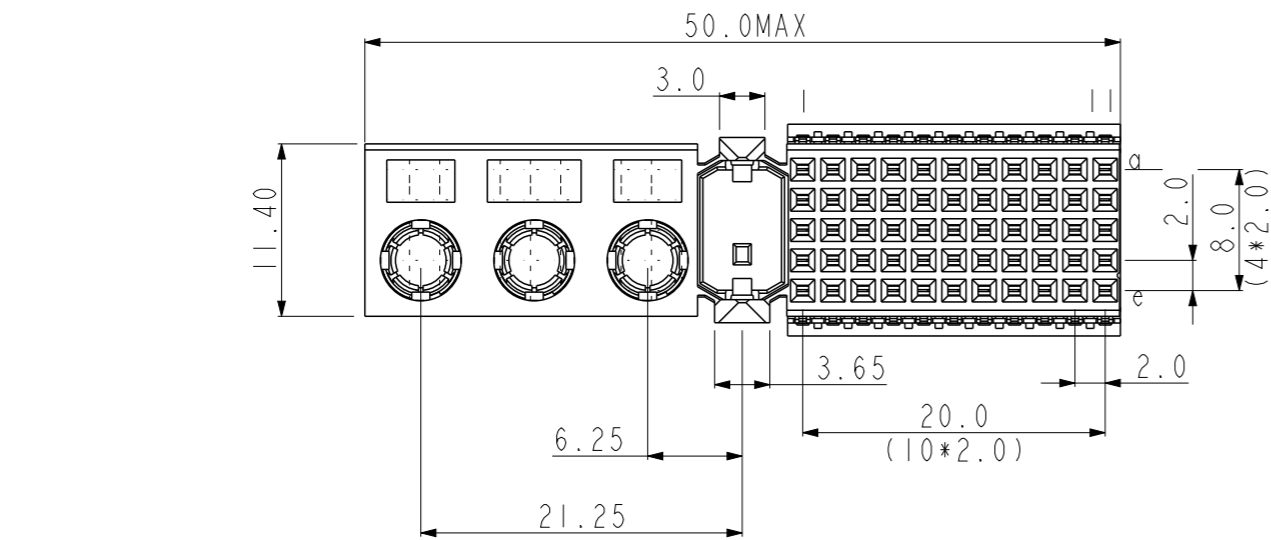
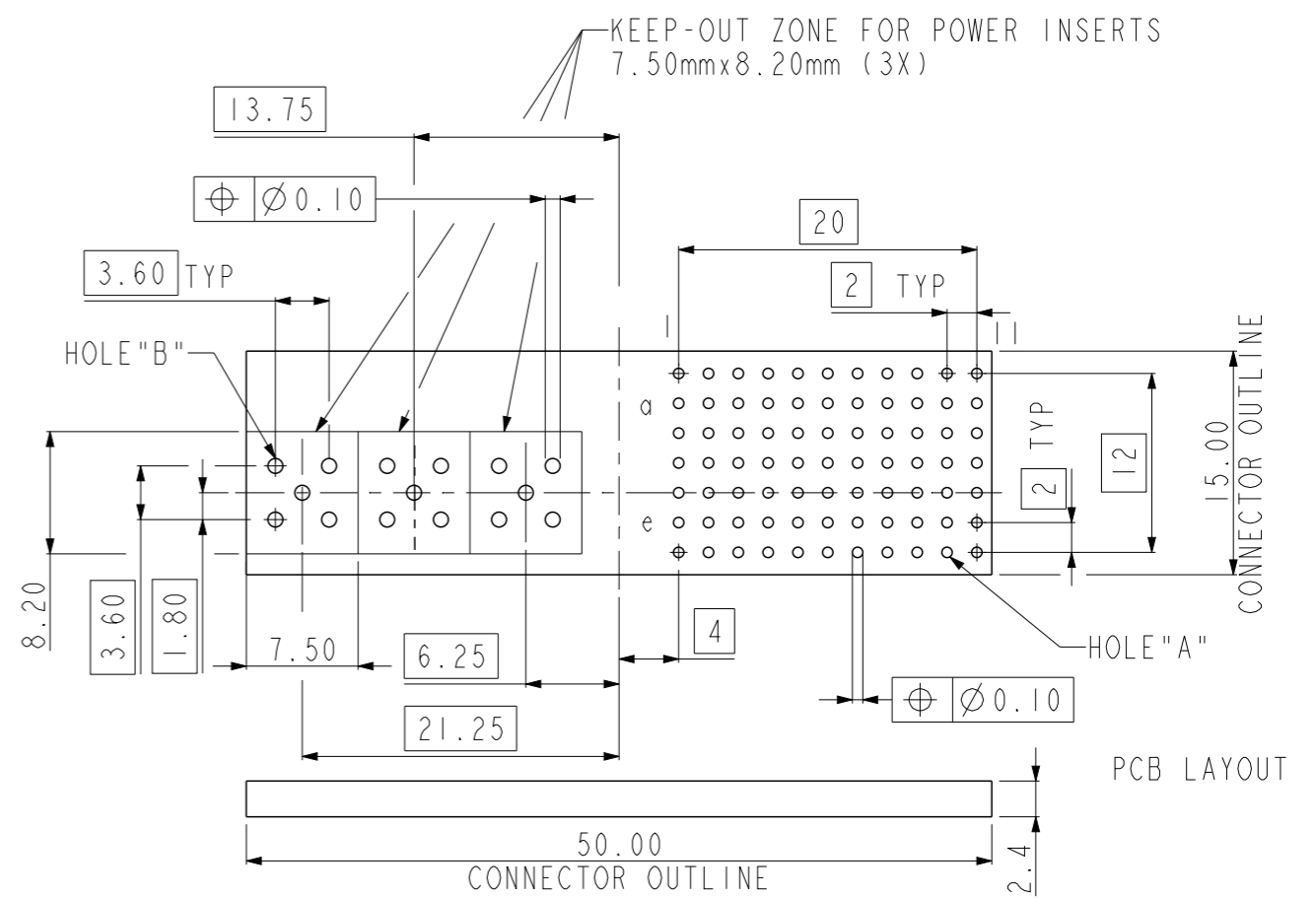




This document is the property of and embodies CONFIDENTIAL and PROPRIETARY information of FCI. No part of the information shown on this document may be used in any way or disclosed to others without the written consent of FCI. Copyright FCI.



PCB Surface



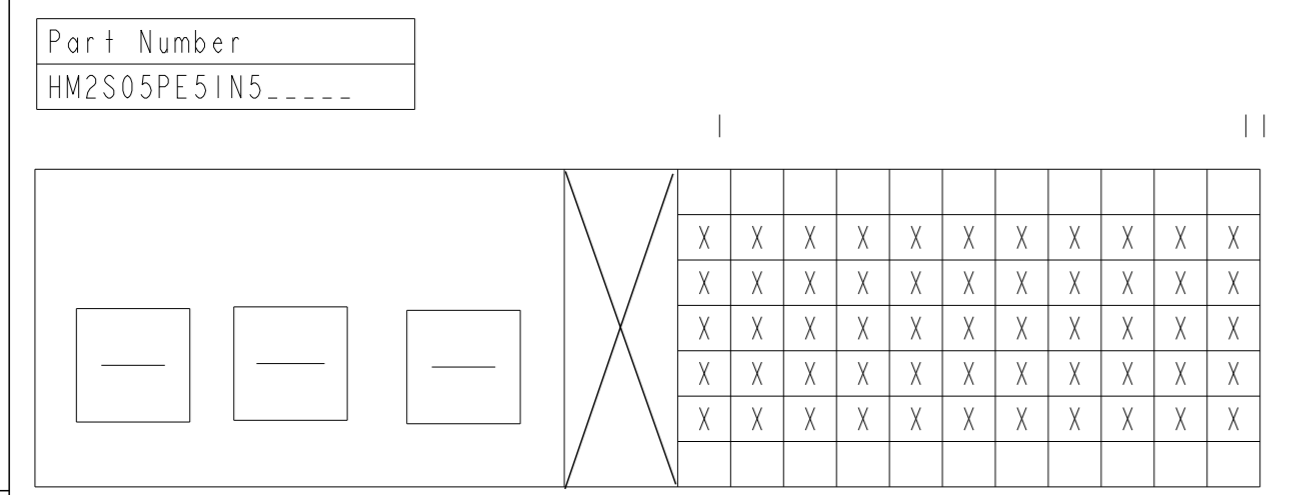
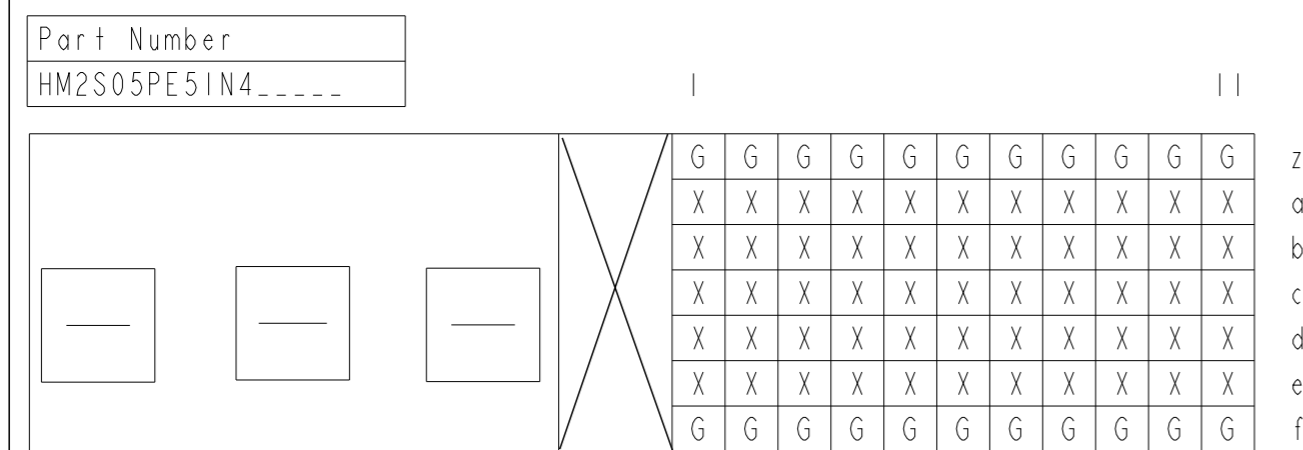
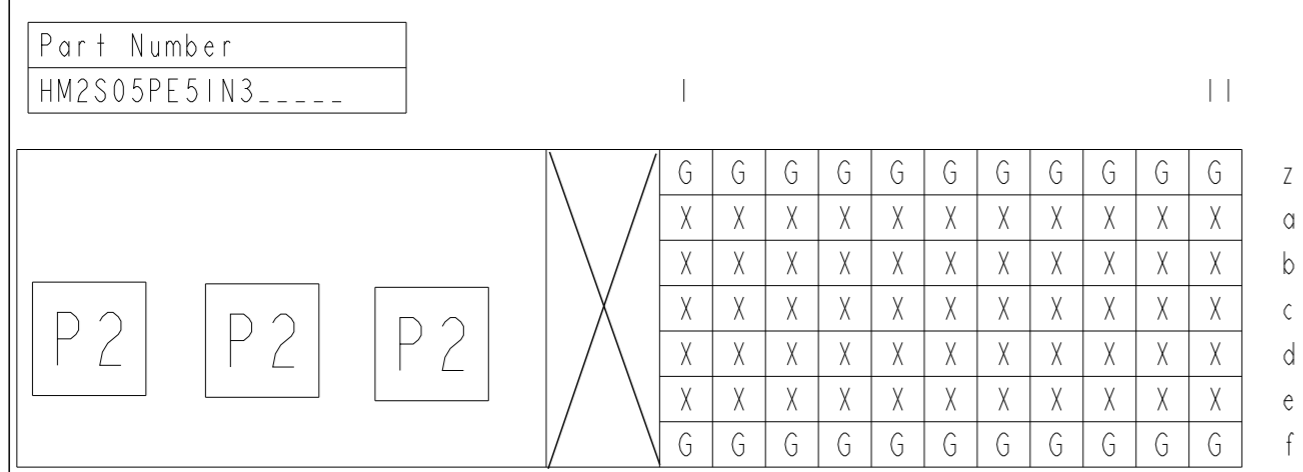
	DRILLED HOLE (MM)	COPPER PLATED (MM)	Sn PLATED (MM)	AFTER PLATING (MM)	LAND SIZE (MM)	NUMBER
HOLE "A"	0.70±0.02	0.025-0.05	0.0008-0.0012	0.60±0.05	1.10	77
HOLE "B"	1.10±0.05	0.025-0.05	0.0008-0.0012	1.00±0.05	1.50	15

Material	*	Spec ref			
Mat code		tolerance	✓	projection	MM
Heatreat				size	Scale
Plating/Finish				A3	2.000
Dr	NotFound DuWa	2010/04/22			
Eng	Tao Zhan	2011/04/17	Product family	MILLIPACS	
Chr	-	-	Model Name	ECN	
Appr	-	-	Model Revision	I	REL Level
					Released

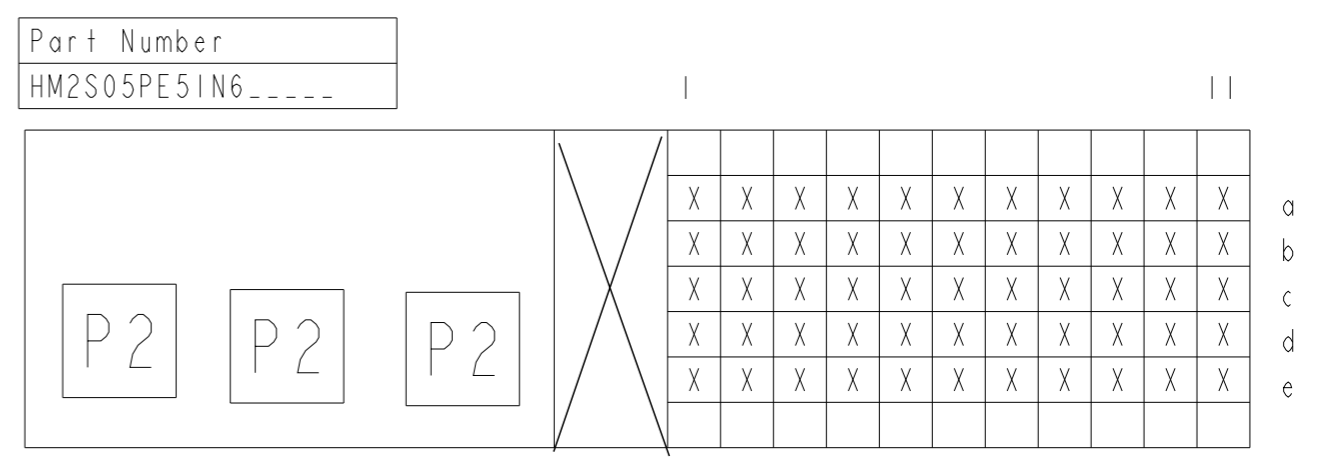
rev	ecn no	dr	date
A	DG09-0234	Cenh	06/29/09
B	DG10-0125	Cenh	03/30/10
C	DG10-0418	Cenh	11/25/10

TOLERANCES UNLESS OTHERWISE SPECIFIED		
LINEAR	0.X	±0.3
	0.XX	±0.15
	0.XXX	±0.050
ANGULAR	0°	±2°

FCI	title	MILLIPACS STR TYPE CONNETOR 25MM HEIGHT	dwg no	BSC201908004	Rev.	C
Pro/E file	catalog no	HM2S05PE5IN-----*	CUSTOMER DRAWING	sheet 1 of 2		



REMARK:
 X: SIGNAL PIN
 G: SHIELDING PIN
 P1: COAX MALE
 P2: POWER FEMALE
 —: EMPTY POSITION



PERFORMANCE CHARACTERISTIC

- CURRENT RATING: 1A FOR SIGNAL PIN(FULL LOADED)
30A FOR POWER PIN.
- IMPEDANCE: 50Ω/CONTACT FOR COAX INSERT.
- RATED VOLTAGE: 500V AC
- OPERATING TEMPERATURE: -55°C TO 125°C
- INSERTION FORCE 0.75N MAX/CONTACT FOR SIGNAL;15N MAX/CONTACT FOR POWER.
RETENTION FORCE 0.15N MIN/CONTACT FOR SIGNAL;1.6N MIN/CONTACT FOR POWER.
0.4N MIN/CONTACT FOR COAX.
- POWER&COAX INSERT INTERFACE WILL BE ACCORDING TO DIN 41626 SPEC.
- CLIP WILL BE USED; POWER AND COAX INSERT WILL BE FLOATING .

NOTES:

- "HM2S05PE5IN" PLATING INFORMATION : N9(IEC PERFORMACE LEVEL 2)
- CONNECTOR WILL BE PACKED BY TRAY.
- THIS PRODUCT (LF) MEETS EUROPEAN UNION DIECTIVES AND OTHER COUNTRY REGULATIONS AS DESCRIBED IN GS-22-008.
- CONNECTOR MATERIALS:
HOUSING: GLASS FILLED, HIGH TEMPERATURE RESIN UL 94-V0 COMPLANT
Terminal: Copper Alloy

Material *		Spec ref		
Mat code		tolerance	projection	MM
Heattreat				
Plating/Finish				
Dr	NotFound DuWa	2010/04/22	size	Scale
Eng	Tao Zhan	2011/04/17	A3	1.000
Chr	-	-	Product family	MILLIPACS
Appr	-	-	Model Name	ECN
			Model Revision	D
REL Level		Released		
FCI		MILLIPACS STR TYPE CONNETOR 25MM HEIGHT		Rev.
Pro/E file		catalog no	HM2S05PE5IN----- *	BSC201908004
		CUSTOMER DRAWING		sheet 2 of 2