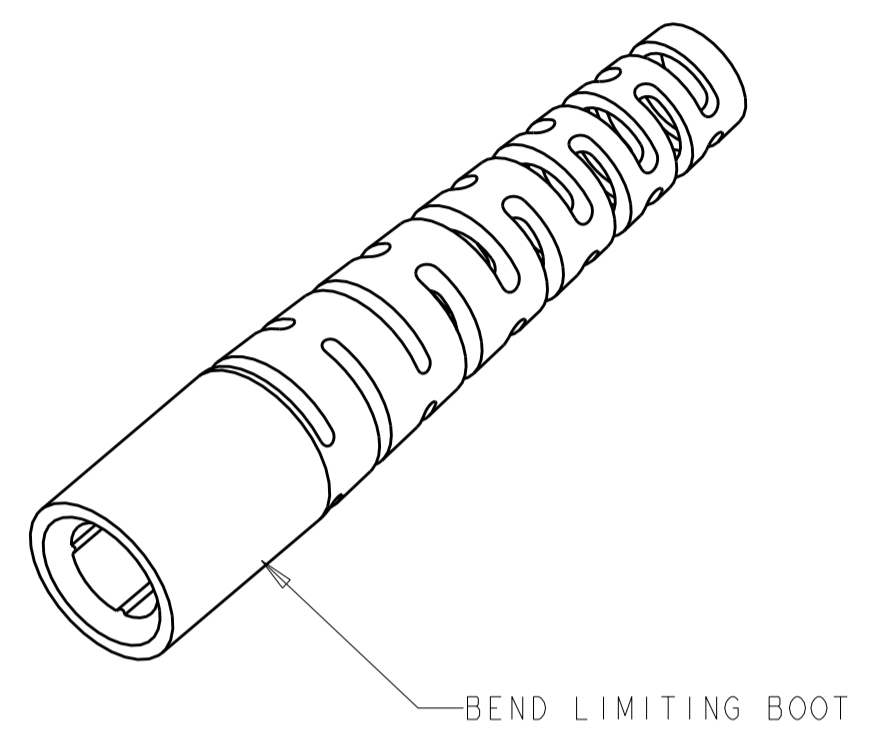
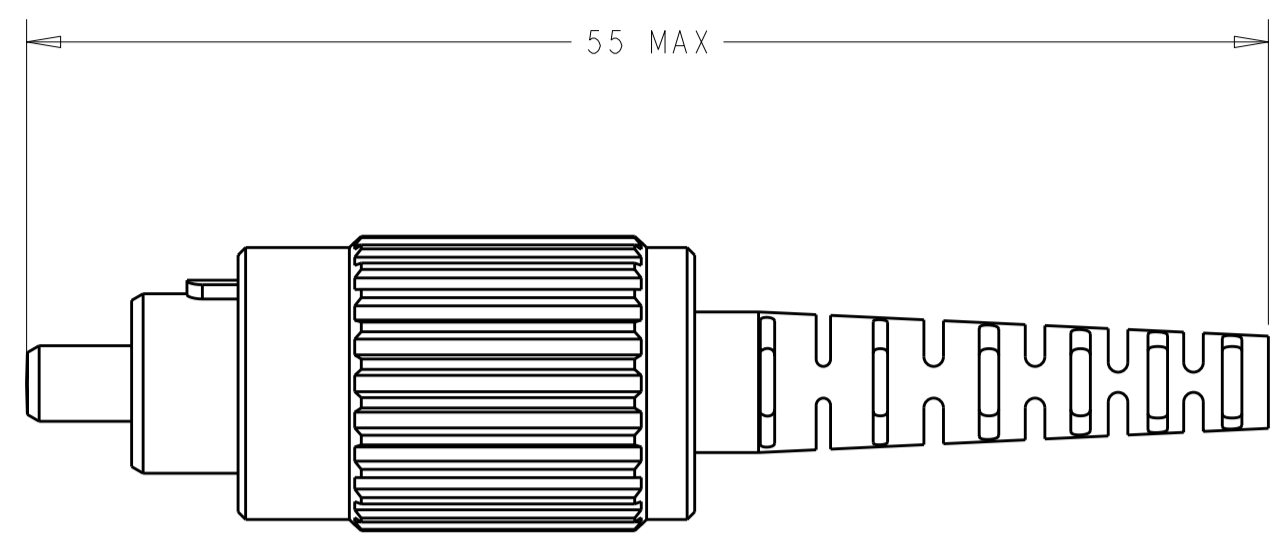
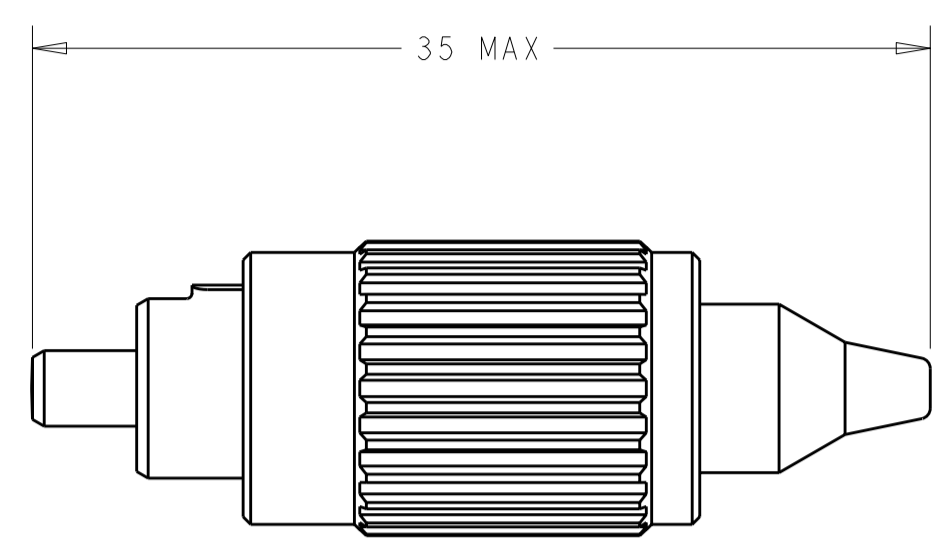


THIS DRAWING IS UNPUBLISHED. RELEASED FOR PUBLICATION 20  
 © COPYRIGHT 20 BY TYCO ELECTRONICS CORPORATION. ALL RIGHTS RESERVED.

LOC	DIST	REVISIONS			
P	LTR	DESCRIPTION	DATE	DWN	APVD
CE	00	A	RELEASE ECR-08-023822	30SEP2008	BB SM
		AI	ADD NOTE 4	16MAR2009	BB SB

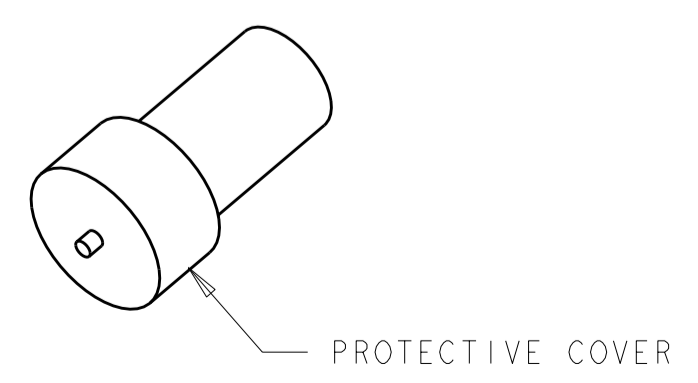
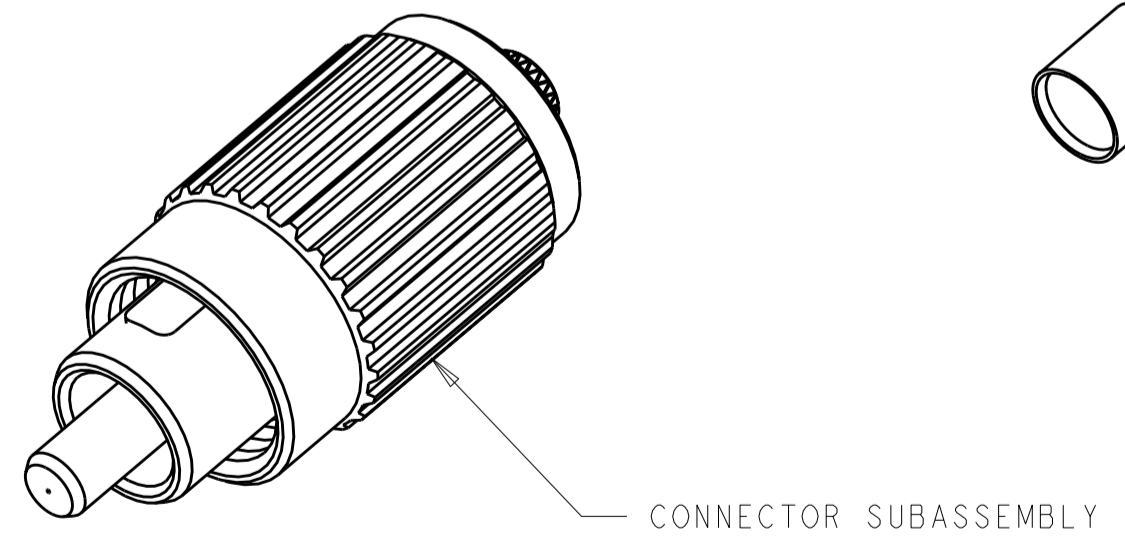
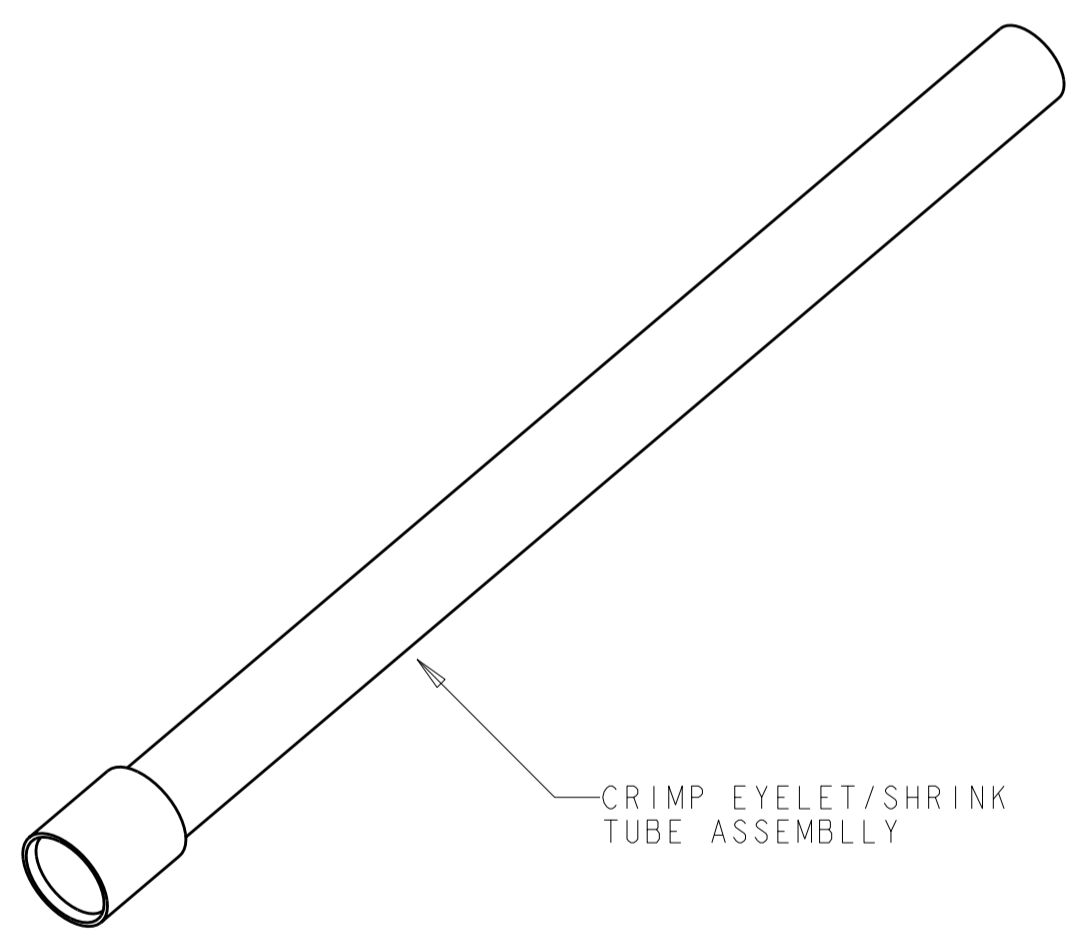


1 MATERIAL:  
 PROTECTIVE COVER: LDPE, COLOR: BLACK, NON-FR  
 CONNECTOR SUBASSEMBLY:  
 COUPLING NUT: ELECTOLESS NICKEL PLATED BRASS  
 PLUG BODY: PPS-GF40, COLOR: BEIGE.\*  
 RETAINER BODY: ALUMINUM, CLEAR ANODIZE.  
 SPRING: STAINLESS STEEL  
 FERRULE ASSEMBLY: CERAMIC/PBT-GF17.\*  
 EPOXY FILL TUBING: PTFE, COLOR: CLEAR, UL VW-1 RATED  
 BUFFER BOOT: TPE, COLOR: BLUE.\*  
 CRIMP EYELET/SHRINK TUBE ASSEMBLY: ALUMINUM/POLYOLEFIN,  
 COLOR: YELLOW/BLACK (2.4mm) , UL VW-1 RATED.  
 BEND LIMITED BOOT: PP, COLOR: BLUE.\*  
 \*UL94 V-0 RATED AT QUALIFYING THICKNESS.

2 TO BE USED WITH 900um BUFFERED FIBER.

3 BULK PACKAGE.

4. INSTRUCTION SHEET: 408-8674 AVAILABLE FOR DOWNLOAD AT  
[www.tycoelectronics.com/documents](http://www.tycoelectronics.com/documents) OR  
[www.ampnetconnect.com/foguide](http://www.ampnetconnect.com/foguide).



	NONE	6754264-8
3	1.6-2.0mm	6754264-7
3	2.4mm	6754264-6
	2.4mm	6754264-5
	1.6-2.0mm	6754264-4
2	SHORT BUFFER	6754264-2
	BOOT	PART NUMBER

THIS DRAWING IS A CONTROLLED DOCUMENT FOR TYCO ELECTRONICS CORPORATION IT IS SUBJECT TO CHANGE AND THE CONTROLLING ENGINEERING ORGANIZATION SHOULD BE CONTACTED FOR THE LATEST REVISION.		DWN B. BRIGGS 15JUL2005 CHK S. MILLER 15JUL2005 APVD S. BUCHTER 15JUL2005	<b>Tyco Electronics</b> Tyco Electronics Harrisburg, PA 17105-3608
DIMENSIONS: mm 	TOLERANCES UNLESS OTHERWISE SPECIFIED: 0 PLC ± 1 PLC ± 2 PLC ± 3 PLC ± 4 PLC ± ANGLES ± FINISH	PRODUCT SPEC APPLICATION SPEC WEIGHT CUSTOMER DRAWING	NAME SIZE CAGE CODE DRAWING NO RESTRICTED TO A2 00779 C-6754264 - SCALE NTS SHEET 1 OF 1 REV AI