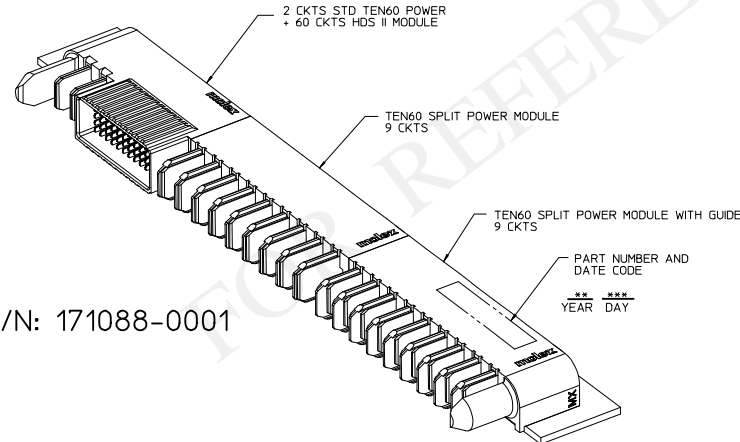
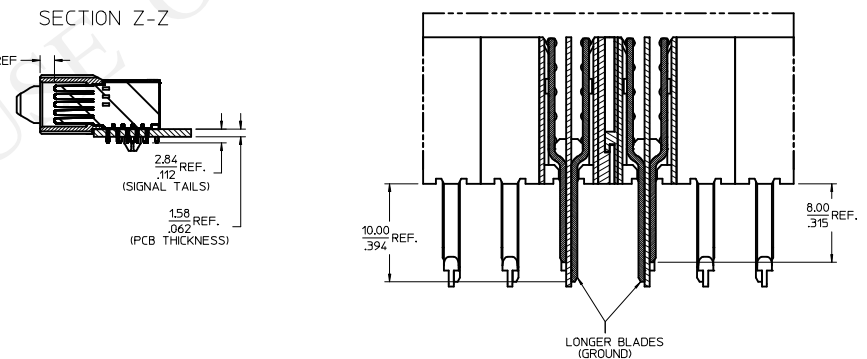
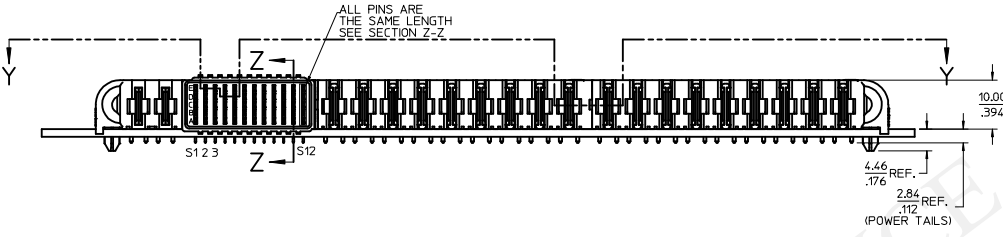
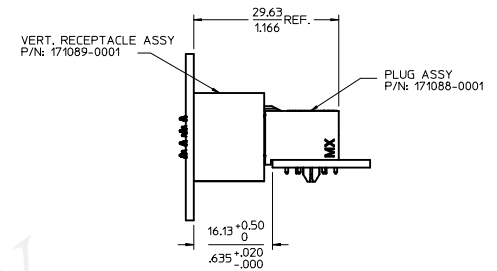
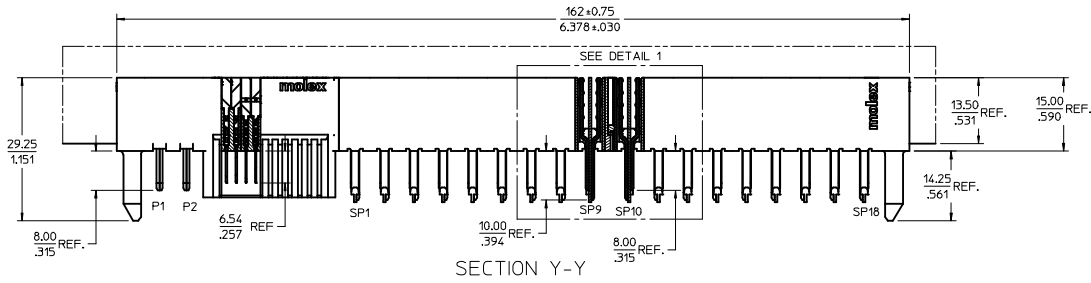
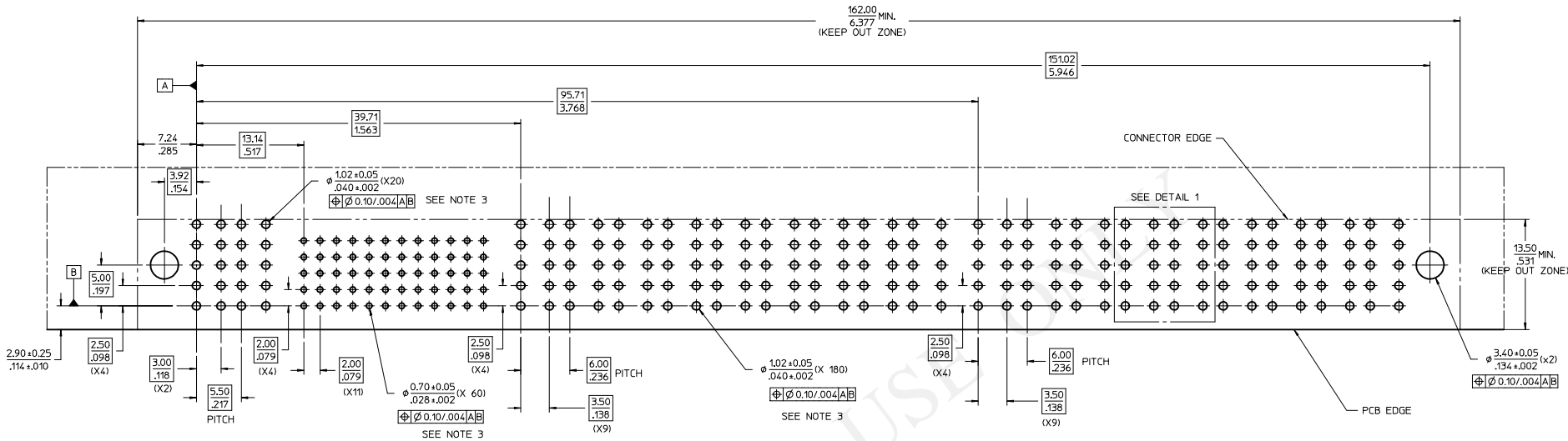


3D MODEL NO: TM-171088-0001

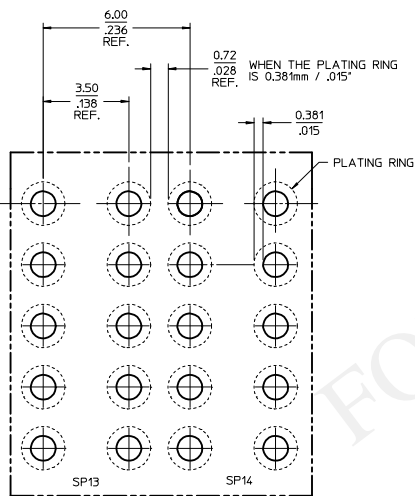


- NOTES:
- MATERIAL:
 - HOUSINGS: LCP UL94, V-0, COLOR : BLACK
 - TERMINALS: HIGH CONDUCTIVITY COPPER ALLOY
 - PLATING: 127 MICROMETER (50 MICROINCH) NICKEL OVERALL WITH 2.54 MICROMETER (100 MICROINCH) SELECTIVE TIN ON TAILS AND 0.762 MICROMETER (30 MICROINCH) SELECTIVE GOLD ON CONTACT AREA
 - PACKAGING: ASSEMBLIES TO BE TRAY PACKED PER PACKAGING SPEC: TBD
 - PLATED THRU HOLE SIZE REFERS TO PS-171088-0000 FOR DETAILS
 - PRODUCT SPEC: PS-171088-0000
 - APPLICATION SPEC: AS-46436-100
 - PRODUCT TO MEET ROHS REQUIREMENTS
 - ASSEMBLY MATES TO MOLEX RECEPTACLE ASSEMBLY P/N 171089-0001
 - TAIL DESIGN: SOLDER TAIL
 - SIGNAL CONTACTS ARE LUBRICATED.

ENTER DESCRIPTION IEC NO. UCP2013-1517 DRAWN BY CHKD. APPR: VLN REV	2012/10/10	2012/10/17	QUALITY SYMBOLS	GENERAL TOLERANCES (UNLESS SPECIFIED)	DIMENSION STYLE	SCALE	DESIGN UNITS	THIRD ANGLE PROJECTION
			▽=0	mm INCH	MM/IN	2:1	METRIC	☉
			▽=0	4 PLACES ± --- ± ---	DRAWN BY DATE	VLIN 2011/05/18	TITLE	TEN60 SPLIT POWER PLUG ASSY
			▽=0	3 PLACES ± --- ± .010	CHECKED BY DATE			G-2P-60S-9SP-9SP-G
			1 PLACE ± 0.25 ± ---	APPROVED BY DATE	VLIN 2012/10/10	MATERIAL NO.	MOLEX INCORPORATED	SHEET NO.
			ANGULAR ± 1/2°	DRAFT WHERE APPLICABLE MUST REMAIN WITHIN DIMENSIONS	SIZE	171088-0001	DOCUMENT NO.	SD-171088-0001
					D			1 OF 3



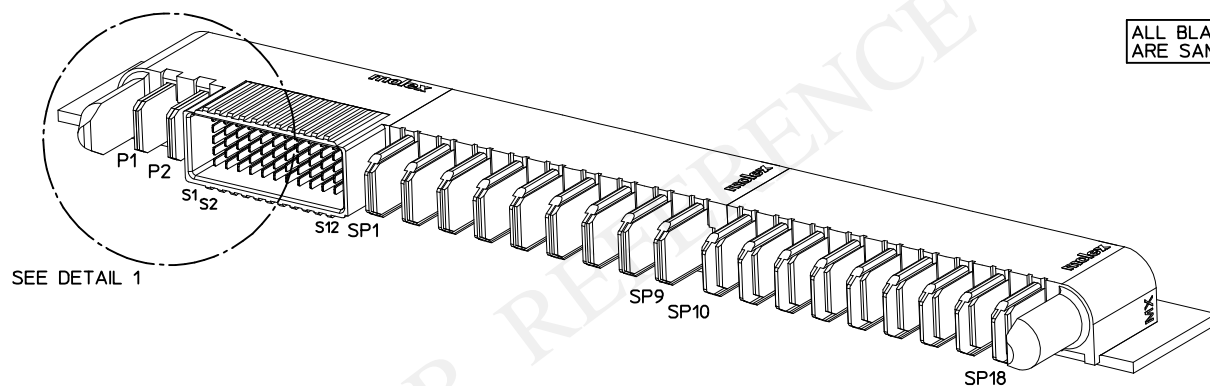
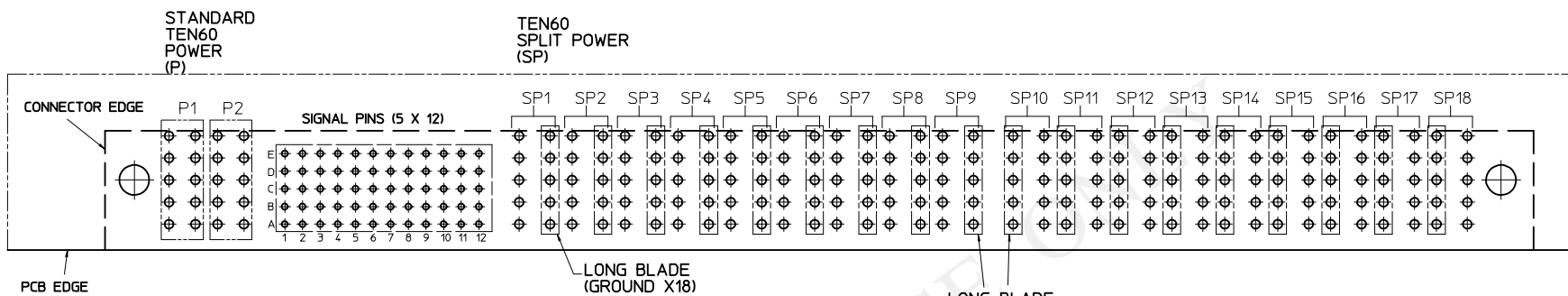
RECOMMENDED PCB LAYOUT AND KEEP OUT ZONE
(SEE SHEET 3 FOR PIN ASSIGNMENT)



DETAIL 1
SCALE 10:1

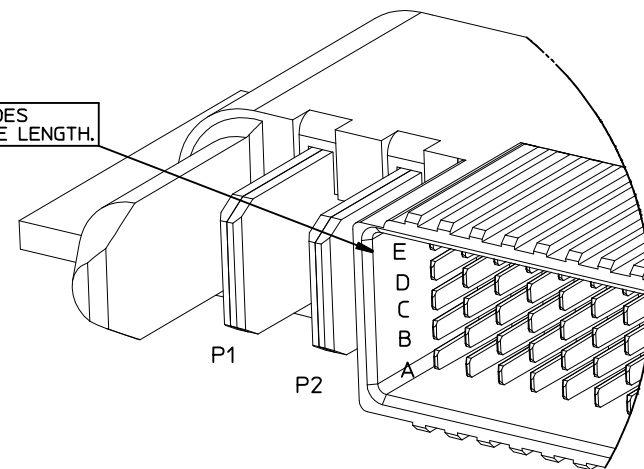
ENTER DESCRIPTION IEC NO. UCP2013-1517 DRAWN/VL IN CHKD: APPR:VL IN REV:	QUALITY SYMBOLS ∇=0 ∇=0 ∇=0	GENERAL TOLERANCES (UNLESS SPECIFIED) <table border="1"> <tr> <th></th> <th>mm</th> <th>INCH</th> </tr> <tr> <td>4 PLACES</td> <td>± .010</td> <td>± .010</td> </tr> <tr> <td>3 PLACES</td> <td>± .010</td> <td>± .010</td> </tr> <tr> <td>2 PLACES</td> <td>± 0.25</td> <td>± .010</td> </tr> <tr> <td>1 PLACE</td> <td>± 0.25</td> <td>± .010</td> </tr> <tr> <td colspan="3">ANGULAR ±1/2°</td> </tr> </table>		mm	INCH	4 PLACES	± .010	± .010	3 PLACES	± .010	± .010	2 PLACES	± 0.25	± .010	1 PLACE	± 0.25	± .010	ANGULAR ±1/2°			DIMENSION STYLE MM/IN SCALE 4:1 DESIGN UNITS METRIC THIRD ANGLE PROJECTION	DRAWN BY VL IN DATE 2011/05/18 CHECKED BY DATE APPROVED BY VL IN DATE 2012/10/10	TITLE TEN60 SPLIT POWER PLUG ASSY G-2P-60S-9SP-9SP-G MOLEX INCORPORATED
		mm	INCH																				
	4 PLACES	± .010	± .010																				
	3 PLACES	± .010	± .010																				
2 PLACES	± 0.25	± .010																					
1 PLACE	± 0.25	± .010																					
ANGULAR ±1/2°																							
DRAFT WHERE APPLICABLE MUST REMAIN WITHIN DIMENSIONS	MATERIAL NO. 171088-0001	DOCUMENT NO. SD-171088-0001	SHEET NO. 2 OF 3																				
THIS DRAWING CONTAINS INFORMATION THAT IS PROPRIETARY TO MOLEX INCORPORATED AND SHOULD NOT BE USED WITHOUT WRITTEN PERMISSION																							

PCB PIN ASSIGNMENT



SEE DETAIL 1

ALL BLADES ARE SAME LENGTH.



DETAIL 1
SCALE 8:1

ENTER DESCRIPTION IEC NO. UCP2013-1517 DRAWN BY: [blank] CHKD: [blank] APPR: VLN DATE: 2012/10/17	QUALITY SYMBOLS ∇=0 ∇=0 ∇=0	GENERAL TOLERANCES (UNLESS SPECIFIED)		DIMENSION STYLE MM/IN	SCALE 4:1	DESIGN UNITS METRIC	THIRD ANGLE PROJECTION		
		4 PLACES ± --- ± --- 3 PLACES ± --- ± .010 2 PLACES ± 0.25 ± --- 1 PLACE ± 0.25 ± ---	INCH --- --- ---	DRAWN BY VLN	DATE 2011/05/18	TITLE TEN60 SPLIT POWER PLUG ASSY G-2P-60S-9SP-9SP-G			
		ANGULAR ±1/2°		CHECKED BY [blank]	DATE [blank]	MOLEX INCORPORATED			
		DRAFT WHERE APPLICABLE MUST REMAIN WITHIN DIMENSIONS		APPROVED BY VLN	DATE 2012/10/10	MATERIAL NO. SEE SHEET 1	DOCUMENT NO. SD-171088-0001	SHEET NO. 3 OF 3	

THIS DRAWING CONTAINS INFORMATION THAT IS PROPRIETARY TO MOLEX INCORPORATED AND SHOULD NOT BE USED WITHOUT WRITTEN PERMISSION