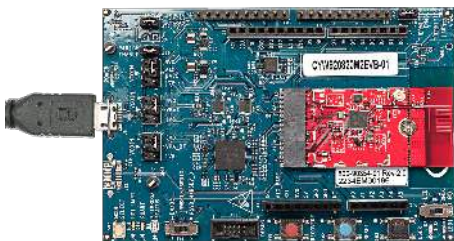


Quick start guide

AIROC™ CYW20820 Bluetooth® and Bluetooth® LE system on chip evaluation kit
CYW920820M2EVB-01



Kit contents

1. CYW9BTM2BASE2 baseboard
2. CYW920820M2IPA1 Bluetooth® radio card
(connected to the baseboard using the M.2 connector)
3. USB standard-A to Micro-B cable
4. Quick start guide (this document)



Before you start

1. Download and install ModusToolbox™ software v2.4 (or later) with the Bluetooth® SDK at <https://www.infineon.com/modustoolbox>.
2. Scan the QR code to download and install the LightBlue App.
3. Connect a USB cable between the PC and CYW920820M2EVb-01 (J6) to power the kit.

Download the code example

1. In Eclipse IDE for ModusToolbox™, select **File > New > ModusToolbox™ application**. This launches the Project Creator.
2. In the Project Creator, click **AIROC™ Bluetooth® BSPs**.
3. Select the 'CYW920820M2EVb-01' kit and click **Next**.
4. Select the 'LE Find Me' code example, and then click **Create**.

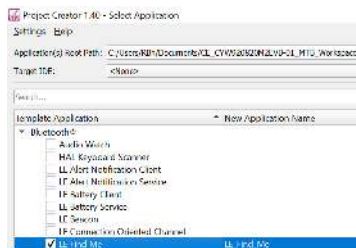
Note: The kit is pre-programmed with the 'LE Find Me' code example so you do not need to program the kit to try it.

For more information, see the ModusToolbox™ software user guide at <https://www.infineon.com/modustoolbox>.

Download the LightBlue app



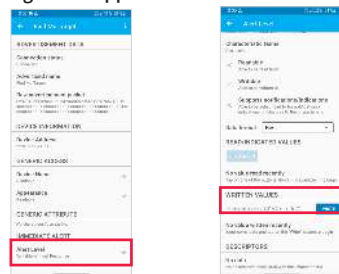
Selecting the code example in Eclipse IDE for ModusToolbox™



Run the LightBlue mobile application

1. Turn ON Bluetooth® on your Android or iOS device.
2. Launch the LightBlue mobile app.
3. Press the reset switch on the board to start sending advertisements.
4. Swipe down on the LightBlue app home screen to start scanning for LE Peripheral devices.
5. Your device ("Find me Target") appears on the home screen. Tap Connect to establish a Bluetooth® LE connection with the device.
6. Observe the changes in the yellow LED (LED1) before and after establishing the connection.
7. Select the 'Alert Level' service and provide the alert value '0' for No Alert, '1' for Mid Alert, and any other value for High Alert.
8. Observe that the state of the red LED (LED2) changes based on the alert level.

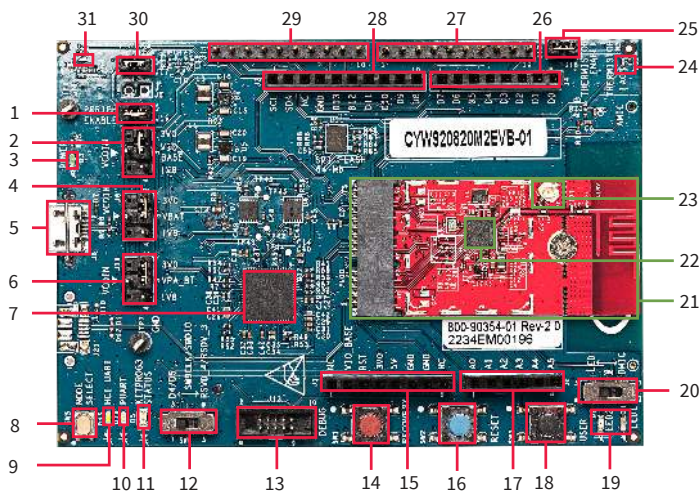
LightBlue app on Android



LightBlue app on iOS

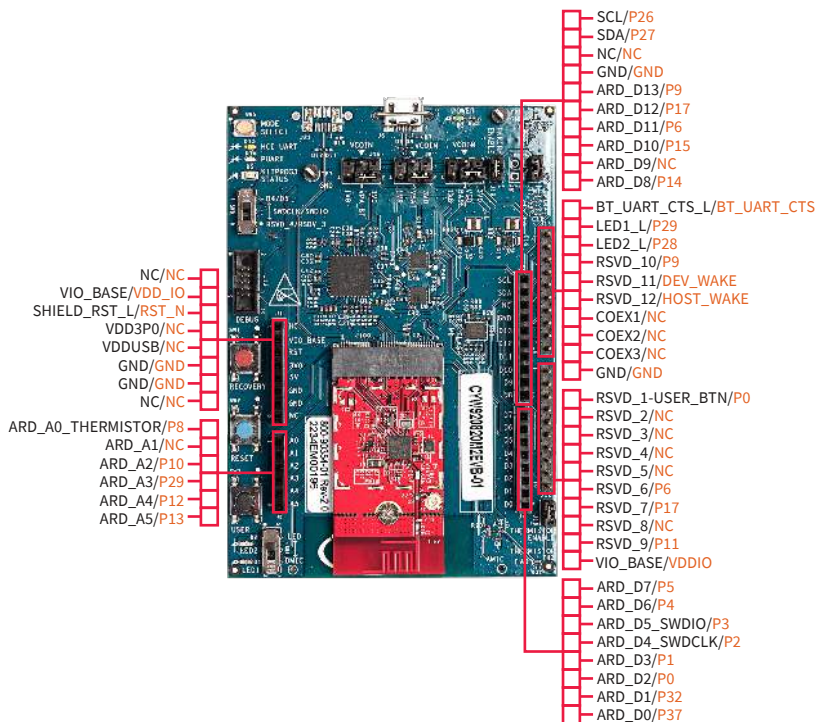


AIROC™ CYW920820M2EVB-01 evaluation kit details



- | | |
|--|--|
| 1. Peripheral enable jumper (J19) | 19. User LEDs (LED1, LED2) |
| 2. VDDIO select jumper (J7) | 20. User LED/DMIC switch (SW4) |
| 3. Baseboard power status LED (D3) | 21. CYW920820M2IPA1 Bluetooth® M.2 radio card |
| 4. VBAT select jumper (J8) | 22. AIROC™ CYW920820 Bluetooth® and Bluetooth® LE system on chip (CYW920820M2IPA1.U1A) |
| 5. USB connector for programming/USB-UART (J6) | 23. External antenna connector (CYW920820M2IPA1.J1) |
| 6. VPA select jumper (J16) | 24. Thermistor (TH2) |
| 7. KitProg3 based on PSoC™ 5LP MCU (U12) | 25. Thermistor enable jumper (J18) |
| 8. KitProg3 mode select (SW5) | 26. Header compatible with Arduino (J4) |
| 9. HCI UART status LED (D15) | 27. Bluetooth® I/O header (J12) |
| 10. PUART status LED (D16) | 28. Header compatible with Arduino (J3) |
| 11. KitProg3 status LED (D5) | 29. Bluetooth® I/O header (J11) |
| 12. Debug interface select jumper (SW8) | 30. VDDIO current measurement jumper (J17) |
| 13. Debug header (J13) | 31. Ambient light sensor (U10) |
| 14. Recovery button (SW1) | |
| 15. Header compatible with Arduino (J1) | |
| 16. Reset button (SW2) | |
| 17. Header compatible with Arduino (J2) | |
| 18. User button (SW3) | |

AIROC™ CYW920820M2EVB-01 evaluation kit pinout details



Legend ■ Baseboard I/Os ■ CYW20820 I/Os

www.infineon.com

Published by
Infineon Technologies AG
81726 Munich, Germany

© 2022 Infineon Technologies AG.
All Rights Reserved.

Please note!

This document is for information purposes only and any information given herein shall in no event be regarded as a warranty, guarantee or description of any functionality, conditions and/or quality of our products or any suitability for a particular purpose. With regard to the technical specifications of our products, we kindly ask you to refer to the relevant product data sheets provided by us. Our customers and their technical departments are required to evaluate the suitability of our products for the intended application.

We reserve the right to change this document and/or the information given herein at any time.

Additional information

For further information on technologies, our products, the application of our products, delivery terms and conditions and/or prices, please contact your nearest Infineon Technologies office (www.infineon.com).

Warnings

Due to technical requirements, our products may contain dangerous substances. For information on the types in question, please contact your nearest Infineon Technologies office.

Except as otherwise explicitly approved by us in a written document signed by authorized representatives of Infineon Technologies, our products may not be used in any life-endangering applications, including but not limited to medical, nuclear, military, life-critical or any other applications where a failure of the product or any consequences of the use thereof can result in personal injury.