



Mini Metal Gear Motor - N20 DC 12V/100RPM

SKU: 80600 Weight: 12.00 Gram

Note: This motor does NOT come with connecting wire, please choose motor cable of corresponding current to work with it.

Description:

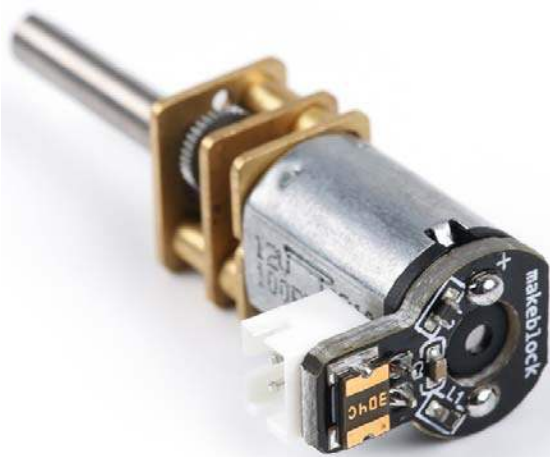
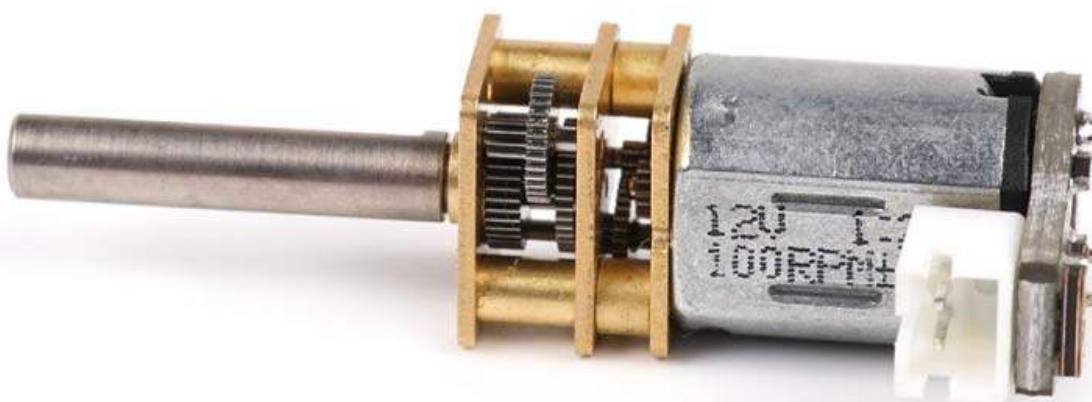
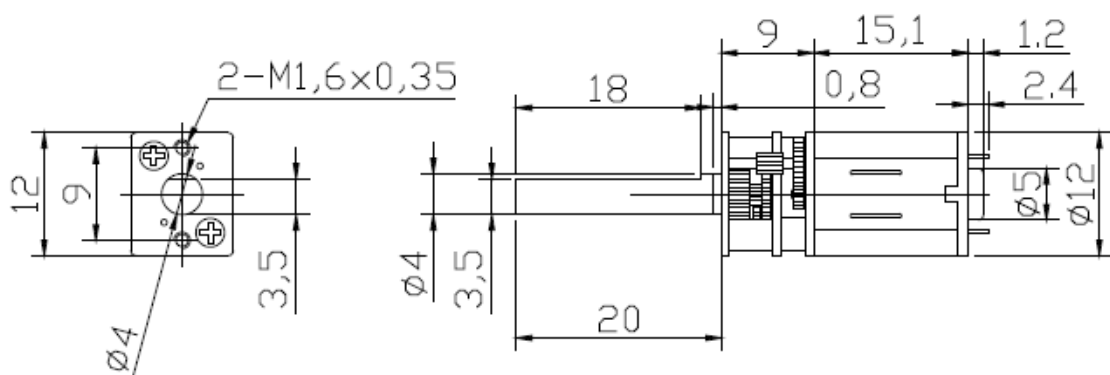
Makeblock mini metal gear motor has a mini body, delicate gears and easy connector, and is widely used many DIY projects.

Makeblock has three different revolving speed for your choice.

Specification:

- Rated Voltage: DC 12V
- Revolving Speed: 100RPM/210RPM/390RPM (Depends on your needs)
- Total Size : 46 x 12mm
- Operating Temperature Range: -20°C~+60°C

Size Charts(mm):



<https://store.makeblock.com/mini-metal-gear-motor-n20-dc-12v/2-19-19>