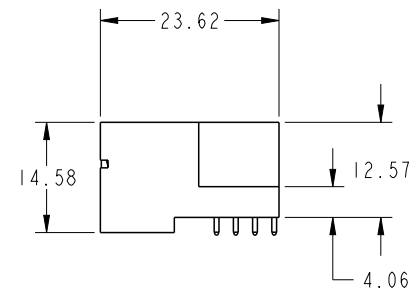
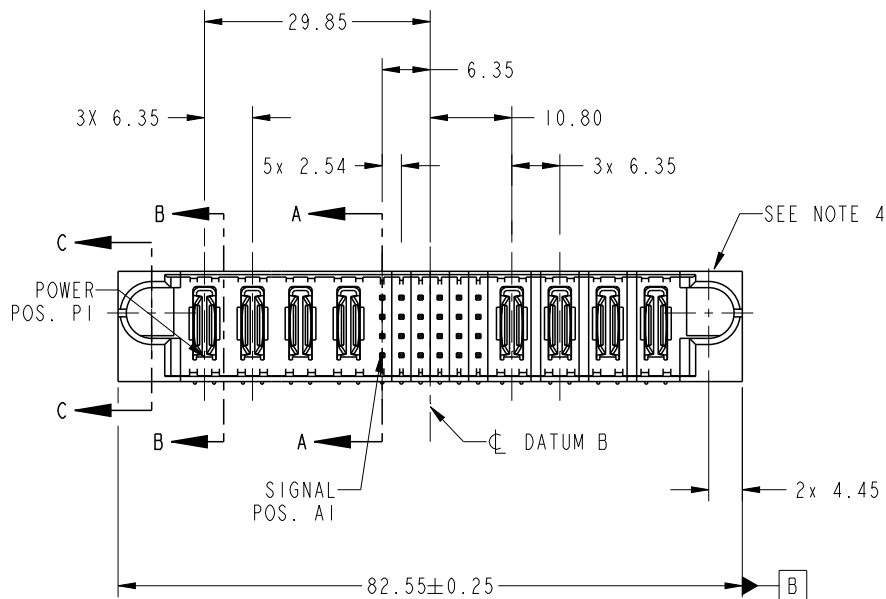


PRODUCT NO.	ROWS	POWER				SIGNAL						POWER				E2
		E1	P1	P2	P3	P4	1	2	3	4	5	6	P5	P6	P7	
51730-218-- NOTE 3	D C B A		PC	PC	PC	PC	V	Q	P	N	A	PC	PC	PC	PC	



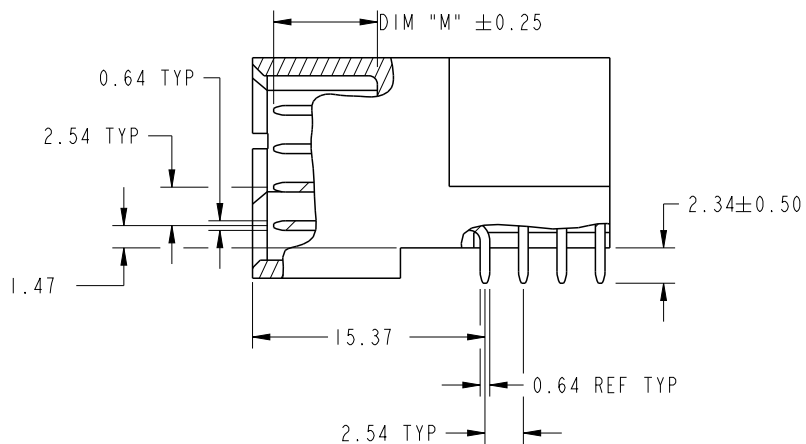
CODE	DIM "M" MATING LENGTH	CONTACT TYPE
V	[6.86]	SIGNAL
Q	[6.86]	SIGNAL
P	[6.86]	SIGNAL
N	[6.86]	SIGNAL
A	[5.59]	SIGNAL
PC	[N/A]	POWER

spec ref	*	dr	Ruan MT	2014/01/23	projection 	MM ←→	size	A4	scale	1:1	
tolerance std	TOLERANCES UNLESS OTHERWISE SPECIFIED	eng	Ruan MT	2014/02/14			ecn no	-			
ASME Y14.5		chr	-	-							
surface	linear	appr	Pei-Ming Zheng	2014/02/14	product family	PwrBlade	rel level	Released			
ASME Y14.5		angular	0°	±2°	www.fci.com	title	4P + 24S + 4P RIGHT ANGLE SOLDER HEADER	cat. no.	-	Product - Customer Drw	sheet 1 of 4
							dwg no	51730-218		rev	A

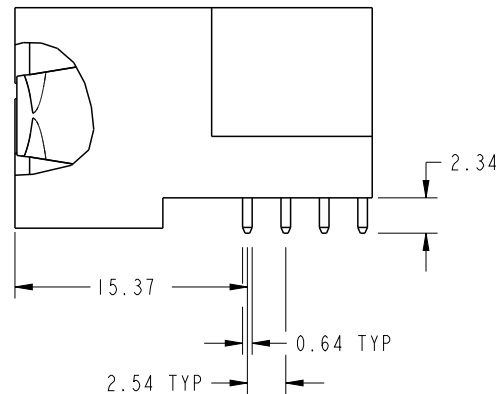
PrdE File - REV C - 2009-06-09

PRODUCT NUMBER

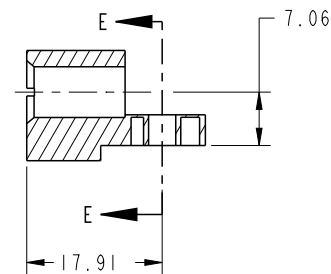
51730-218--  
NOTE: 3



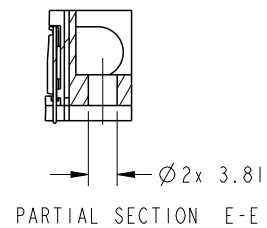
BROKEN-OUT SECTION A-A  
SCALE 2:1



BROKEN-OUT SECTION B-B  
SCALE 2:1



SECTION C-C



PARTIAL SECTION E-E

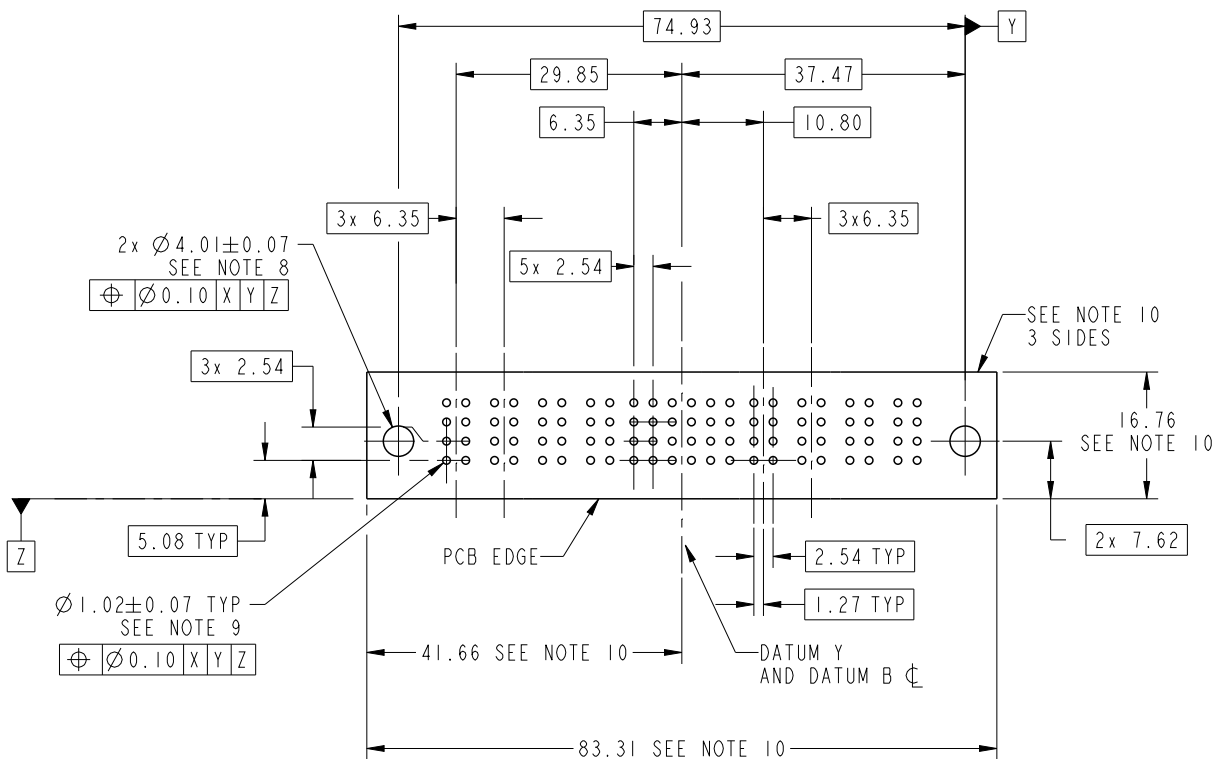
dr	Ruan MT	2014/01/23	projection 	MM 	size	A4	scale	1:1
eng	Ruan MT	2014/02/14			ecn no	-		
chr	-	-			rel level	Released		
appr	Pei-Ming Zheng	2014/02/14	product family	PwrBlade				
	title	4P + 24S + 4P		dwg no	51730-218		rev	A
www.fci.com	cat. no.	-	Product - Customer Drw		sheet 2 of 4			



Copyright FCI.

PRODUCT NUMBER

51730-218\_\_  
NOTE: 3



RECOMMENDED PCB LAYOUT

dr	Ruan MT	2014/01/23	projection 	MM 	size	A4	scale	1:1	
eng	Ruan MT	2014/02/14			ecn no	-			
chr	-	-			rel level	Released			
appr	Pei-Ming Zheng	2014/02/14	product family	PwrBlade					
	title	4P + 24S + 4P RIGHT ANGLE SOLDER HEADER			dwg no	51730-218		rev	A
www.fci.com	cat. no.	-	Product - Customer Drw			sheet 3 of 4			

PRODUCT NUMBER

51730-218--  
NOTE: 3

NOTES:

1. DIMENSIONS AND TOLERANCES ARE IN ACCORDANCE WITH ASME Y14.5M, 1994 UNLESS OTHERWISE SPECIFIED.

CONNECTOR NOTES:

- 2. HOUSING MATERIAL: UL 94 V-0 GLASS FILLED HIGH-TEMP THERMOPLASTIC  
POWER CONTACT MATERIAL: COPPER ALLOY  
SIGNAL PIN MATERIAL: COPPER ALLOY
- 3. SEE ITEM 1 & 2 IN PRINT 10064183 FOR PLATING SPEC OF 51730-218 AND 51730-218LF RESPECTIVELY.
- 4. MANUFACTURER'S NAME, DATE CODE AND OPTIONAL P/N TO APPEAR ON THIS SURFACE. THE MARK CAN BE OMITTED IF THERE IS NOT ENOUGH SPACE ON THIS SURFACE.
- 5. PRODUCT SPECIFICATION GS-12-149.  
APPLICATION SPECIFICATION BUS-20-067.
- 6. PACKAGED IN TRAYS.

PCB NOTES:

- 7. ALL HOLE DIAMETERS ARE FINISHED HOLE SIZE.
- 8. MOUNTING HOLES, WHERE APPLICABLE, ARE UNPLATED.
- 9.  $\varnothing 1.151 \pm 0.025$  DRILLED HOLES PLATED WITH  
0.008 MIN SnPb OR Sn OVER 0.03  
TO 0.08 Cu PLATING TO ACHIEVE  
 $\varnothing 1.02 \pm 0.07$  HOLE.
- 10. CONNECTOR KEEP-OUT ZONE.

A

B

C

D

A

B

C

D



Copyright FCI.

dr	Ruan MT	2014/01/23	projection 	MM 	size	A4	scale	1:1	
eng	Ruan MT	2014/02/14			ecn no	-			
chr	-	-							
appr	Pei-Ming Zheng	2014/02/14	product family	PwrBlade	rel level	Released			
	title	4P + 24S + 4P RIGHT ANGLE SOLDER HEADER			dwg no	51730-218		rev	A
www.fci.com	cat. no.	-	Product - Customer Drw			sheet 4 of 4			