

OUTPUT

Frequency

10 MHz

Level

+10 dBm ±3 dB into 50 ohms

STABILITY

Aging

±5 x 10⁻¹⁰ per day after 30 days operating, typical

±5 x 10⁻⁸ per year after 180 days operating, typical

Phase Noise L(f)

10 Hz -126 dBc/Hz

100 Hz -146 dBc/Hz

1 kHz -160 dBc/Hz

10 kHz -165 dBc/Hz

100 kHz -165 dBc/Hz

Temperature Stability

±2 x 10⁻⁸, 0°C to +50°C (Ref +25°C)

±5 x 10⁻⁸, -20°C to +70°C (Ref +25°C)

±1 x 10⁻⁷, -40°C to +85°C (Ref +25°C)

MECHANICAL

Dimensions

≤ 1.03" x 1.03" x 0.515"

Connectors

Solder pins on base

Packaging

Solder sealed steel can

POWER REQUIREMENTS

Warm-Up Power

<4W for 3 min

Total Power

< 1.5W at +25°C steady state, typical

Supply Voltage

+12 VDC, ±5%

ADJUSTMENT

Electrical Tuning

±1 x 10⁻⁶, 0 - 10 VDC

Positive slope

CRYSTAL

Type

10 MHz SC-cut, 3e-10/g typical

OTHER

Label

Label as follows:

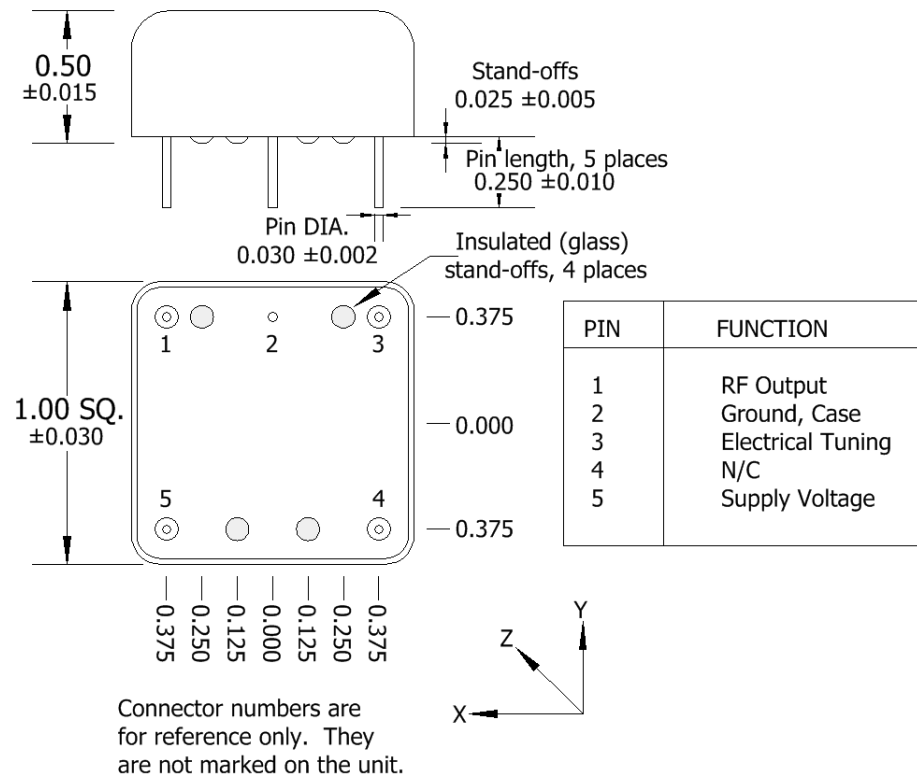
501-33920


10 MHz

VDC

SN – Date Code

REV	DATE	REVISION RECORD	DWN	AUTH
-	04-28-21	Draft	BH	LR



 Wenzel Associates, Inc. Austin, Texas				
Title:				
10 MHz-SC Onyx IV Crystal Oscillator				
P/N:	Rev:	Date:	Drawn:	Ref:
501-33920	-	04-28-21		22578
Tolerances: (except as noted) Dimensions are in inches		0.XX Dec: ±0.030"	0.XXX Dec: ±0.010"	FSCM: 62821
				Page 1 of 1