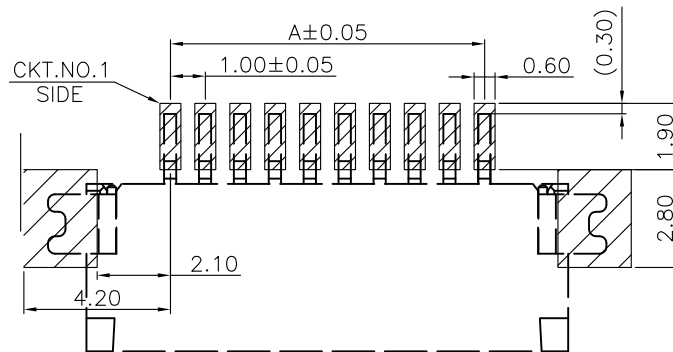
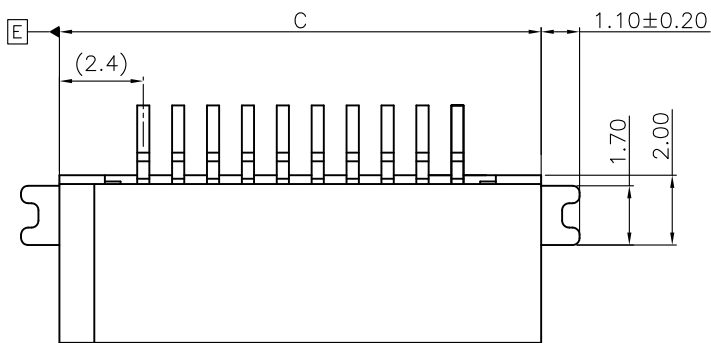


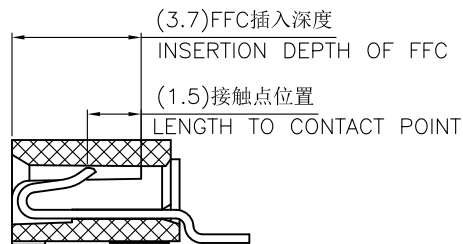
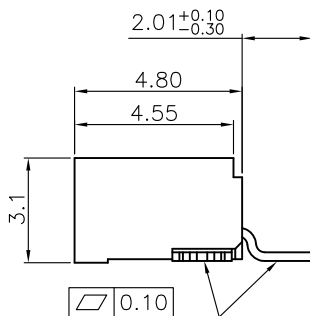
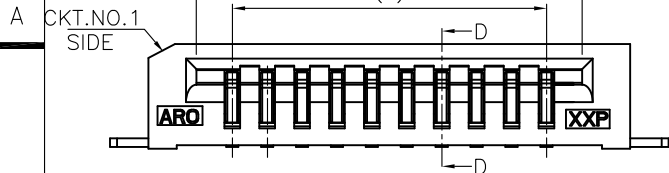
This document is the property of Amphenol Aorora Corporation and is delivered on the express condition that it is not to be disclosed, reproduced or used, in whole or in part, for manufacture or sale by anyone other than Amphenol Aorora Corporation without its prior consent, & that no right is granted to disclose or to use any information in this document.

REV.	ECR/ECN No.	DESCRIPTION	DRAWN/DATE	CHECKED/DATE	APPROVED/DATE
A	/	NEW RELEASE	May 2017-12-08	Rain 2017-12-08	Hongkui.liu 2017-12-08
B	/	New gold-plated specification	May 2018-11-27	Rain 2018-11-27	Hongkui.liu 2018-11-27



RECOMMENDED P.C.BOARD LAYOUT TOL:±0.05

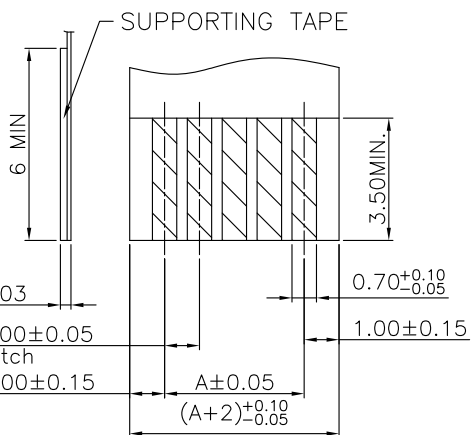
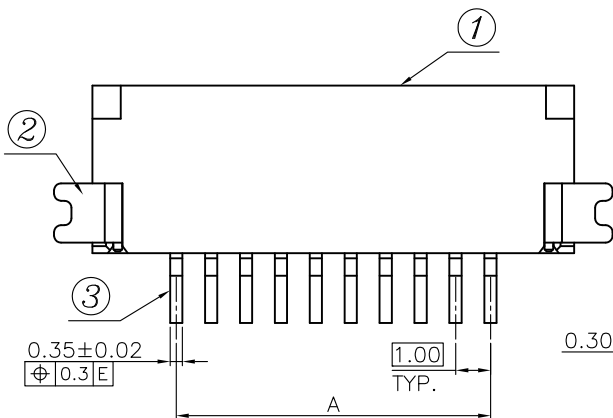
NOTE:  
 1.ALL MATERIAL MUST BE COMPLY WITH SS-00259 OR RoHS.  
 2.PART ON. LEGEND:  
 F519-1A7\*1-110\*\*--E200  
 NO. OF POSITIONS  
 7A:2~4um TIN  
 7Q:GOLD FLASH (1B)  
 1A:LCP NATURAL



SECTION D-D

DIMENSION LIST:

NO. OF POS.	A	B	C	NO. OF POS.	A	B	C
3	2.0	4.05	6.8	17	16.0	18.05	20.8
4	3.0	5.05	7.8	18	17.0	19.05	21.8
5	4.0	6.05	8.8	19	18.0	20.05	22.8
6	5.0	7.05	9.8	20	19.0	21.05	23.8
7	6.0	8.05	10.8	21	20.0	22.05	24.8
8	7.0	9.05	11.8	22	21.0	23.05	25.8
9	8.0	10.05	12.8	23	22.0	24.05	26.8
10	9.0	11.05	13.8	24	23.0	25.05	27.8
11	10.0	12.05	14.8	25	24.0	26.05	28.8
12	11.0	13.05	15.8	26	25.0	27.05	29.8
13	12.0	14.05	16.8	27	26.0	28.05	30.8
14	13.0	15.05	17.8	28	27.0	29.05	31.8
15	14.0	16.05	18.8	29	28.0	30.05	32.8
16	15.0	17.05	19.8	30	29.0	31.05	33.8



APPLICABLE FPC/FFC RECOMMEND DIMENSION

UNLESS OTHERWISE SPECIFIED TOLERANCES				ANGLE OF PROJECTION	
X.	±0.50	X. °	± 1'		
X.X	±0.30	X.X °	± 0.5'		
X.XX	±0.20	X.XX °	± 0.5'	DOC TYP Customer Drw	
X.XXX	±0.10	X.XXX °	± 1'	DRAWN DATE May 2018-11-27	
LINEAR DIMS		ANGLES DIMS		DESIGN DATE May 2018-11-27	
P/N: F519-1A7*1-110**--E200				CHECKED DATE Rain 2018-11-27	
MATERIAL		SEE NOTES		APPROVED DATE Hongkui.liu 2018-11-27	
FINISHED		SEE NOTES			



Amphenol Aorora Technology (Huizhou) Co.,Ltd

TITLE: Assembly Drawing For FFC/FPC P1.0 NON-ZIF HORIZONTAL TYPE SMT SERIES (BOTTOM CONTACT)

SIZE DWG NO. A4 A-S0472

SCALE 1:1 UNIT: mm SHEET 1 OF 1