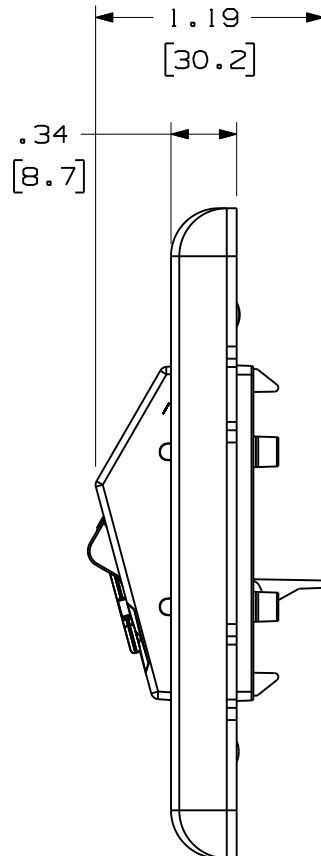
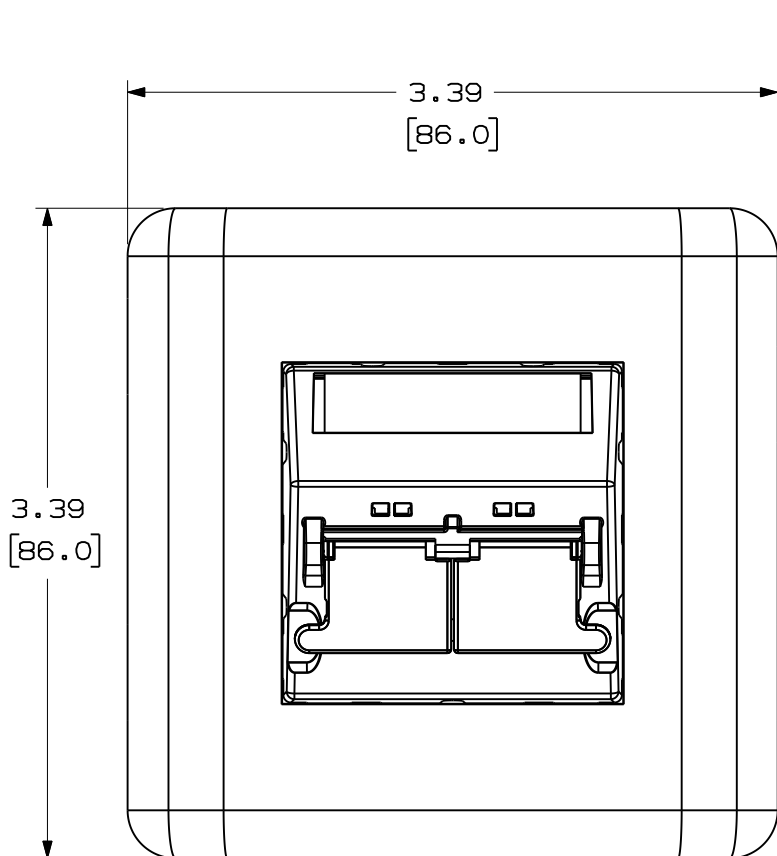


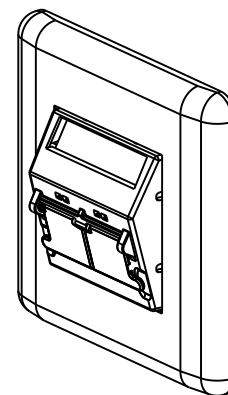
THIS COPY IS PROVIDED ON A RESTRICTED BASIS AND IS NOT TO BE USED IN ANY WAY DETRIMENTAL TO THE INTERESTS OF PANDUIT CORP.



| PANDUIT P/N | WEIGHT |
|--------------|-----------------------------|
| CFPL86S2S**S | .090 LB/EACH 41.0 g/EACH |

NOTES:

- SEE CURRENT CATALOG FOR ADDITIONAL PART NUMBER SUFFIXES TO INDICATE COLOR AND/OR PACKAGE QUANTITY.
- SEE CATALOG FOR COMPLETE LIST OF PARTS APPLICABLE FOR USE WITH THIS PART.
- DIMENSIONS IN [] ARE IN METRIC.
- PART INCLUDES:
 - 1- MOUNTING FRAME
 - 1- FACEPLATE COVER
 - 1- 2 POSITION 45mmX45mm SHUTTERED MODULE
 - 2- M3.5x0.5x30mm RSD COUNTERSINK SLOTTED MACHINE SCREWS



| | | | |
|---|-------------------|--------------------------|---|
| MODEL FILENAME | 12M320AA/01 | SIZE | A |
| DRAWING FILENAME | 12M320AA_DC02/00A | | |
| MINI-COM 2 POSITION SLOPED SHUTTERED 86X86 STAINLESS STEEL FACEPLATE CUSTOMER DRAWING | | | |
| TINLEY PARK, IL 60487 | | I.I. NUMBER | |
| | | PRODUCT SPEC/ PKG SPEC | |
| THIRD ANGLE PROJECTION | | ASSY METHOD/ TEST METHOD | |
| | | SCALE NONE | |
| DRAWN BY BJJ | | PART NO. | |
| DATE 3-12-12 | | CFPL86S2S**S | |
| CHK'D RJDU | | DRAWING NO. | |
| REVIEW DRAWING NUMBERS | | 12M320AA-02 | |
| MATERIAL STAINLESS STEEL & ABS | | | |

| REV | DATE | BY | CHK | DESCRIPTION | ECN | R | CUST | SUP | OTH |
|-----|---------|-----|------|------------------------|-------------|------|------|-----|-----|
| R | 3-12-12 | BJJ | RJDU | RELEASED TO PRODUCTION | 12M320AA-02 | RJDU | RJDU | | |