



Solution Products



TISP4145M3BJR-S



MF-RX018/250

Design Kit



PN-DESIGNKIT 10

Objective

Integrated Services Digital Network (ISDN) simultaneously transmits voice, video, and data over public switched telephone network circuits. This solution protects ISDN circuit interfaces against surge and power contact threats.

Solution

- 4 Thyristors: TISP4145M3BJR-S
- 4 Multifuse[®] PTCs: MF-RX018/250

Compliance

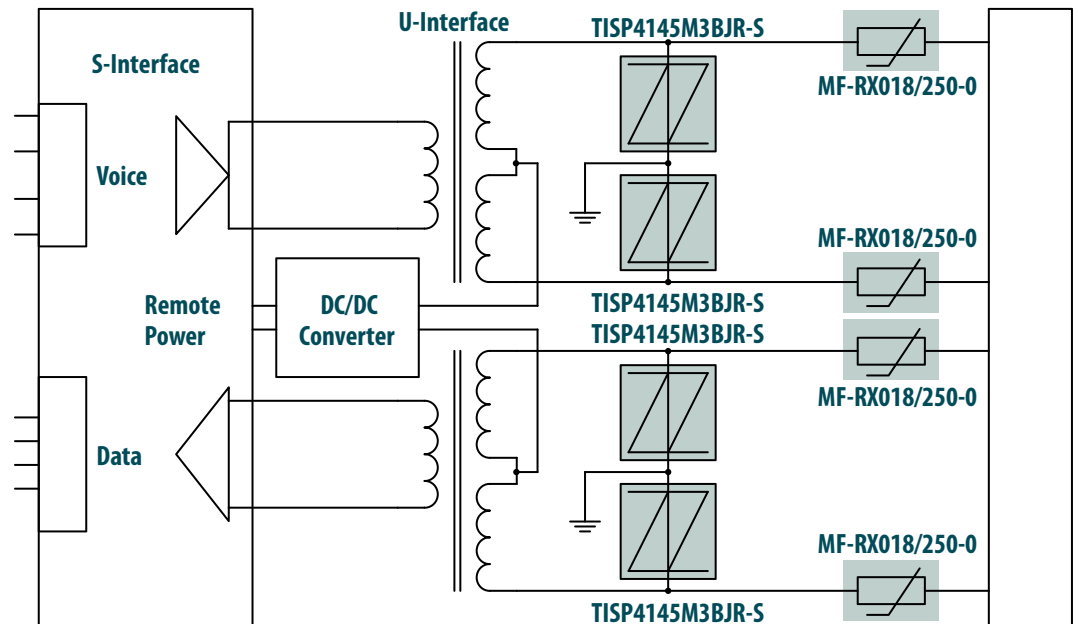
ITU-T K.21

Alternate Recommendations

For GR-1089-CORE designs, the TISP4145H3 and B1250T are recommended.

Benefit

This solution provides a high level of protection within a small amount of PCB area.



The schematic above illustrates the application protection and does not constitute the complete circuit design. Customers should verify actual device performance in their specific applications.