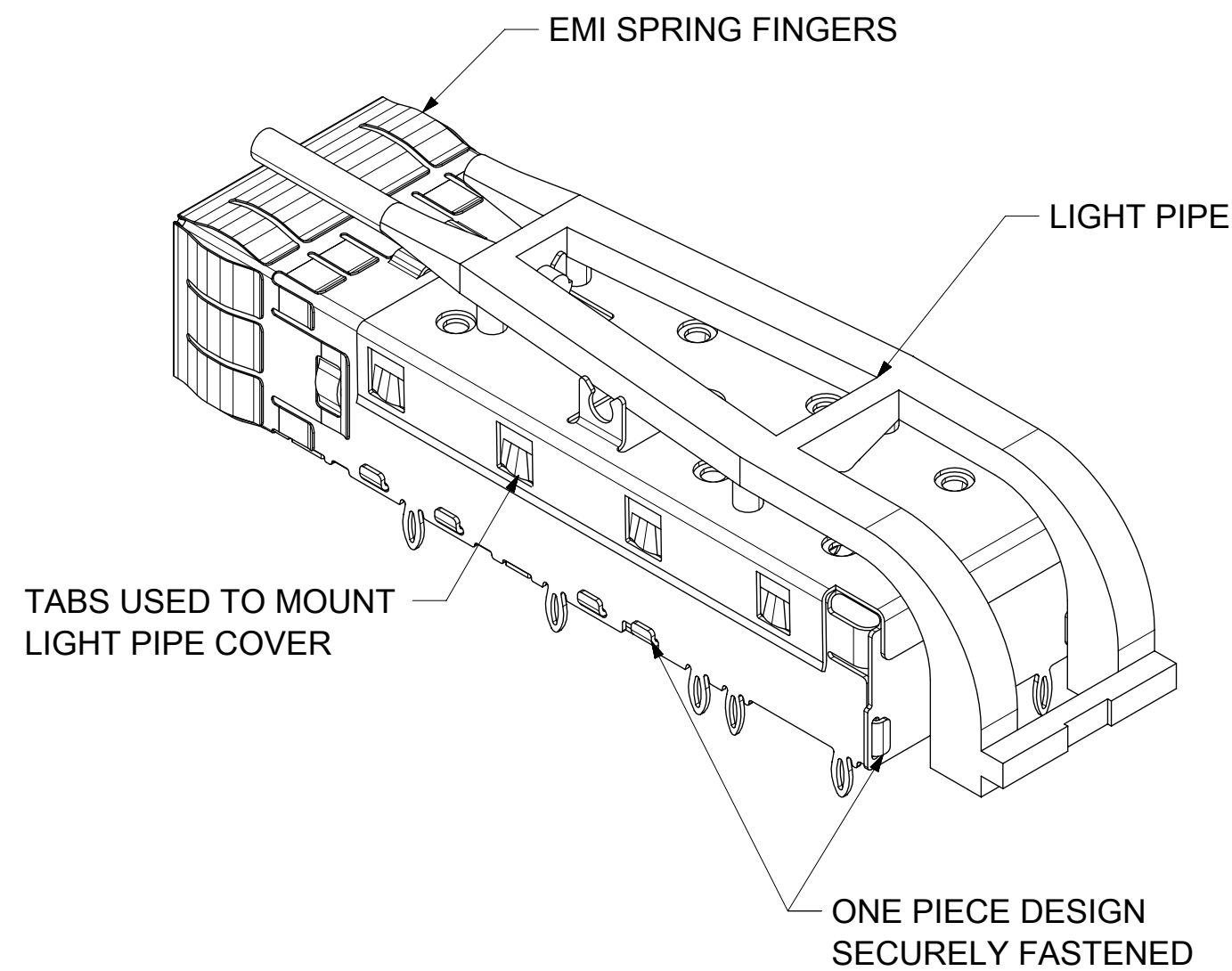


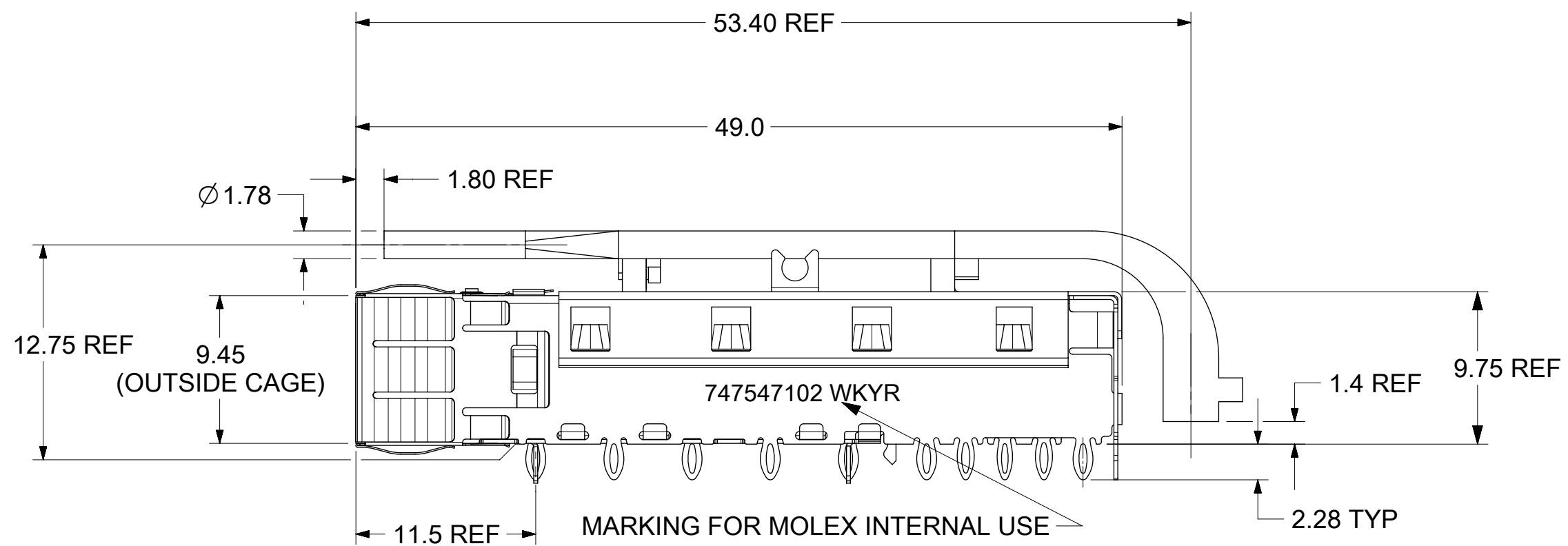
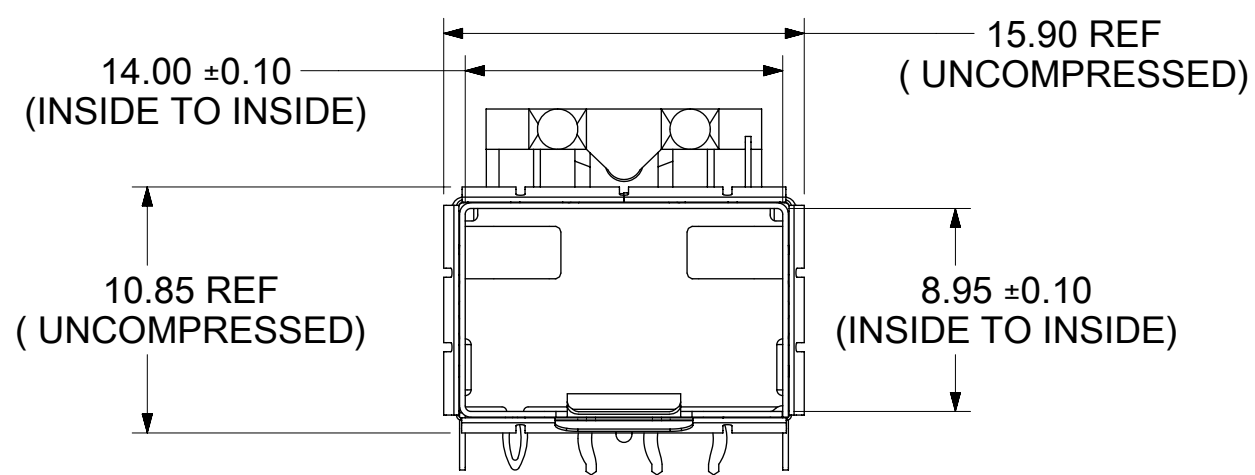
747548725 SHOWN

COMMON DETAILS



PART NO. AND WEEK/YEAR DATE CODE TO BE PRINTED ON THE SIDE OF COMPLETED CAGE ASSEMBLY APPROXIMATELY AS SHOWN
SEE TABLE BELOW FOR DATE CODE INFORMATION

WEEK/YEAR DATE CODE TABLE	
WK	01 THRU 52 OR 53 EXAMPLE: 01 = FIRST WEEK OF YEAR 52 = LAST WEEK OF YEAR
YR	LAST TWO DIGITS OF THE YEAR, 23, 24, 25 ETC. EXAMPLE: YEAR 2023 = 23



NOTES:

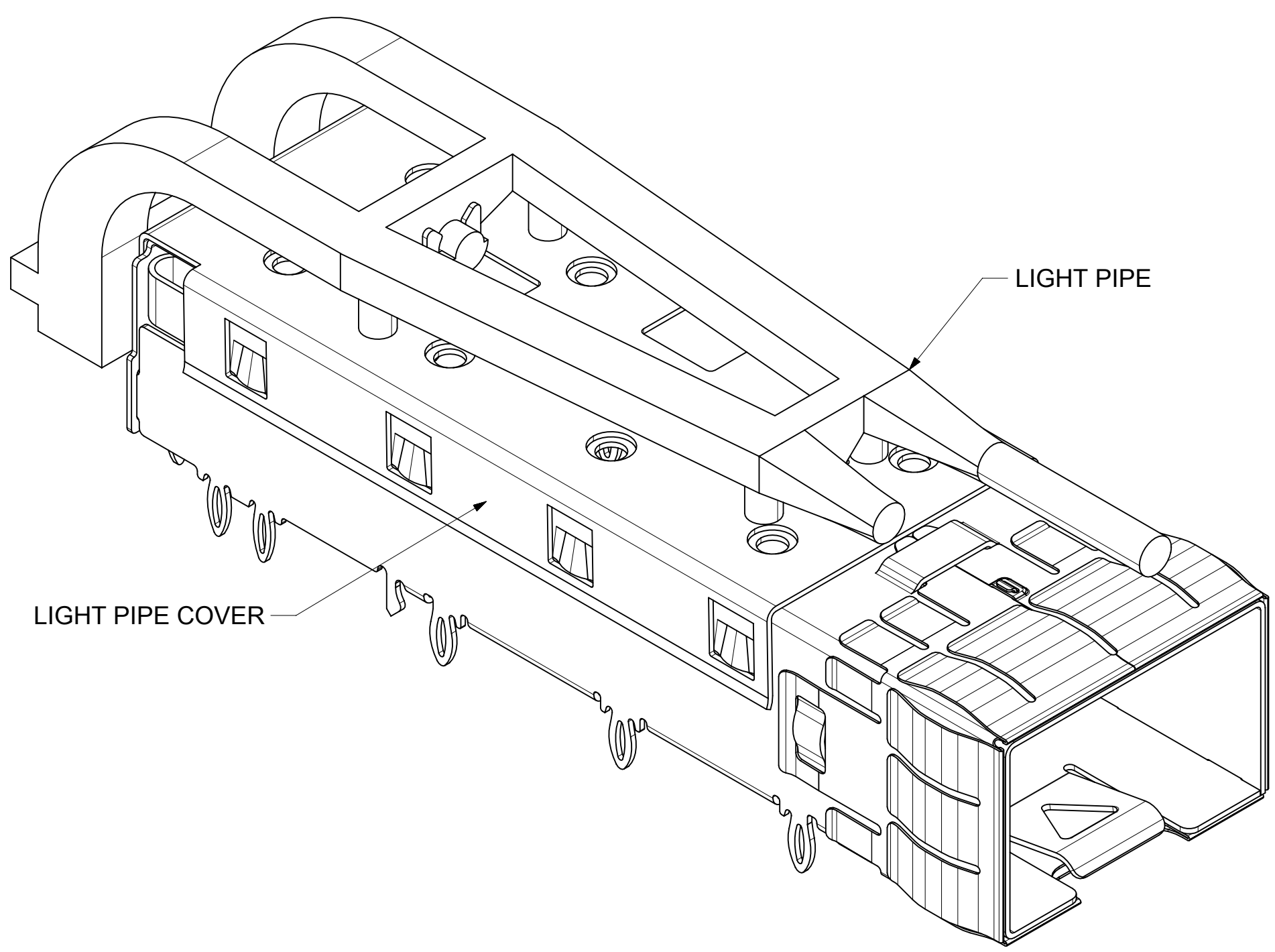
- MATERIAL:**
CAGE: 0.25mm THICK COPPER ALLOY, NICKEL PLATED
SPRING FINGER: STAINLESS STEEL.
LIGHT PIPE COVER: COPPER ALLOY
LIGHT PIPE: POLYCARBONATE (94-V0 RATED)
- PRESS FIT LEGS 2.28mm LONG:**
1.57mm MINIMUM PCB THICKNESS FOR SINGLE SIDED USE
3.00mm MINIMUM PCB THICKNESS FOR BELLY TO BELLY USE
- OPTIONAL LIGHT PIPE ASSEMBLY AVAILABLE**
- PORTS ARE DESIGNED FOR SFP+ TRANSCEIVERS AND ARE COMPATIBLE WITH SFP TRANSCEIVERS**
- THE RECOMMENDATION LED PACKAGE TYPE IS 0402 (INCH)**
- NO RoHS EXEMPTIONS.**

THIS DRAWING CONTAINS INFORMATION THAT IS PROPRIETARY TO MOLEX ELECTRONIC TECHNOLOGIES, LLC AND SHOULD NOT BE USED WITHOUT WRITTEN PERMISSION

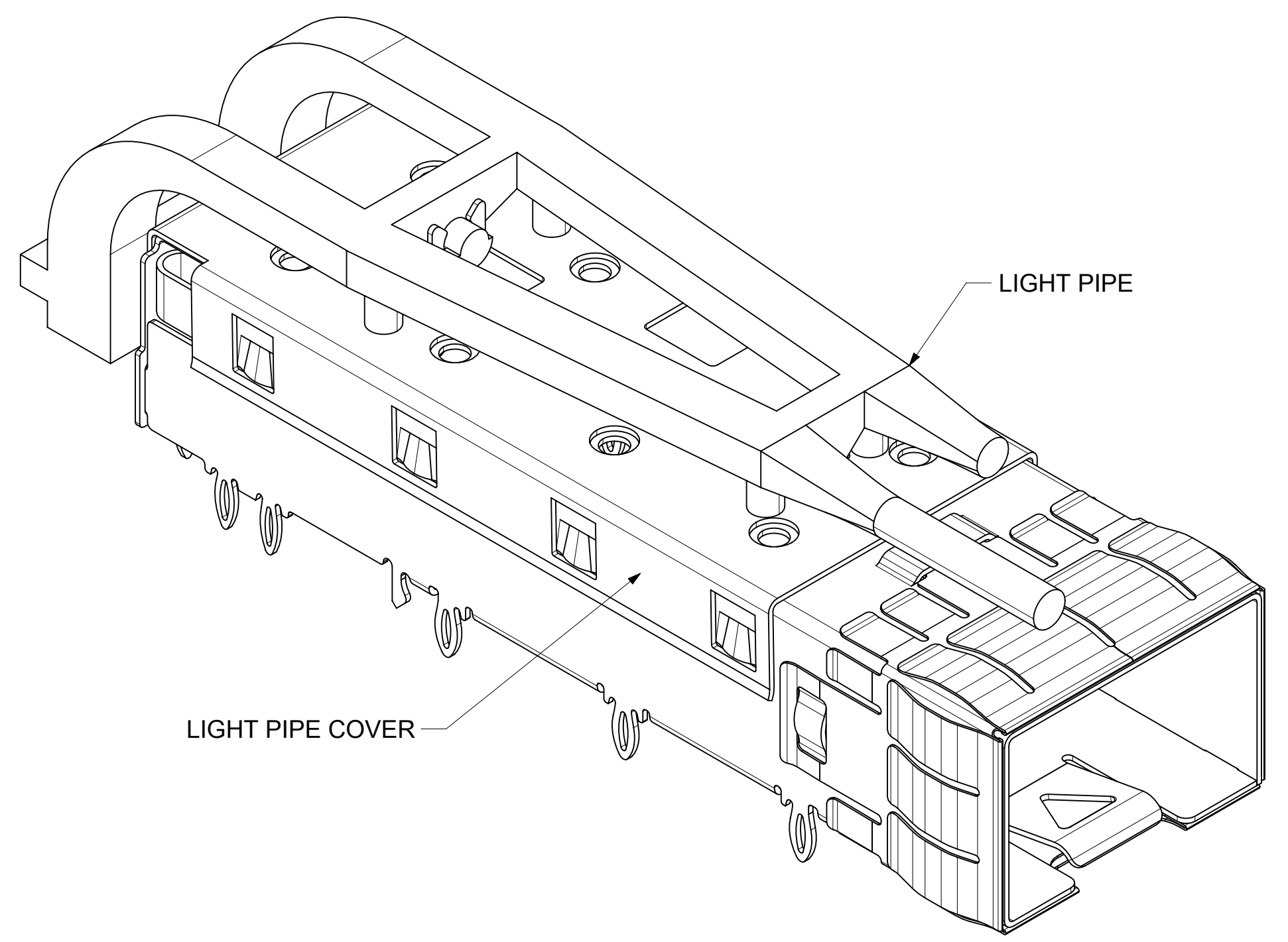
DIMENSION UNITS	SCALE	CURRENT REV DESC: SEE REV TABLE		molex			
mm	3:1			SFP+ 1X1 CAGE ASSY PRESS FIT TYPE, W/ SUS EMI SPRING FINGER & CUSTOM LIGHT PIPE			
GENERAL TOLERANCES (UNLESS SPECIFIED)		EC NO: 743532		PRODUCT CUSTOMER DRAWING			
ANGULAR TOL ± 1.0°		DRWN: PKH 2022/09/13		DOCUMENT NUMBER			
4 PLACES ±		CHK'D: AMRUTH 2023/03/23		747548725			
3 PLACES ±		APPR: TKUMARKC 2023/03/24		PSD ASY A1			
2 PLACES ± 0.15		INITIAL REVISION:		DOC TYPE DOC PART REVISION			
1 PLACE ± 0.25		DRWN: PKH 2022/04/06		MATERIAL NUMBER CUSTOMER SHEET NUMBER			
0 PLACES ±		APPR: SCHIEN 2022/05/26		SEE SHEET 2 1 OF 7			
DRAFT WHERE APPLICABLE MUST REMAIN WITHIN DIMENSIONS		THIRD ANGLE PROJECTION		DRAWING C-SIZE		SERIES 74754	

DOCUMENT STATUS	P1	RELEASE DATE	2023/03/24	02:49:02
-----------------	----	--------------	------------	----------

747548725 SHOWN



747548726 SHOWN

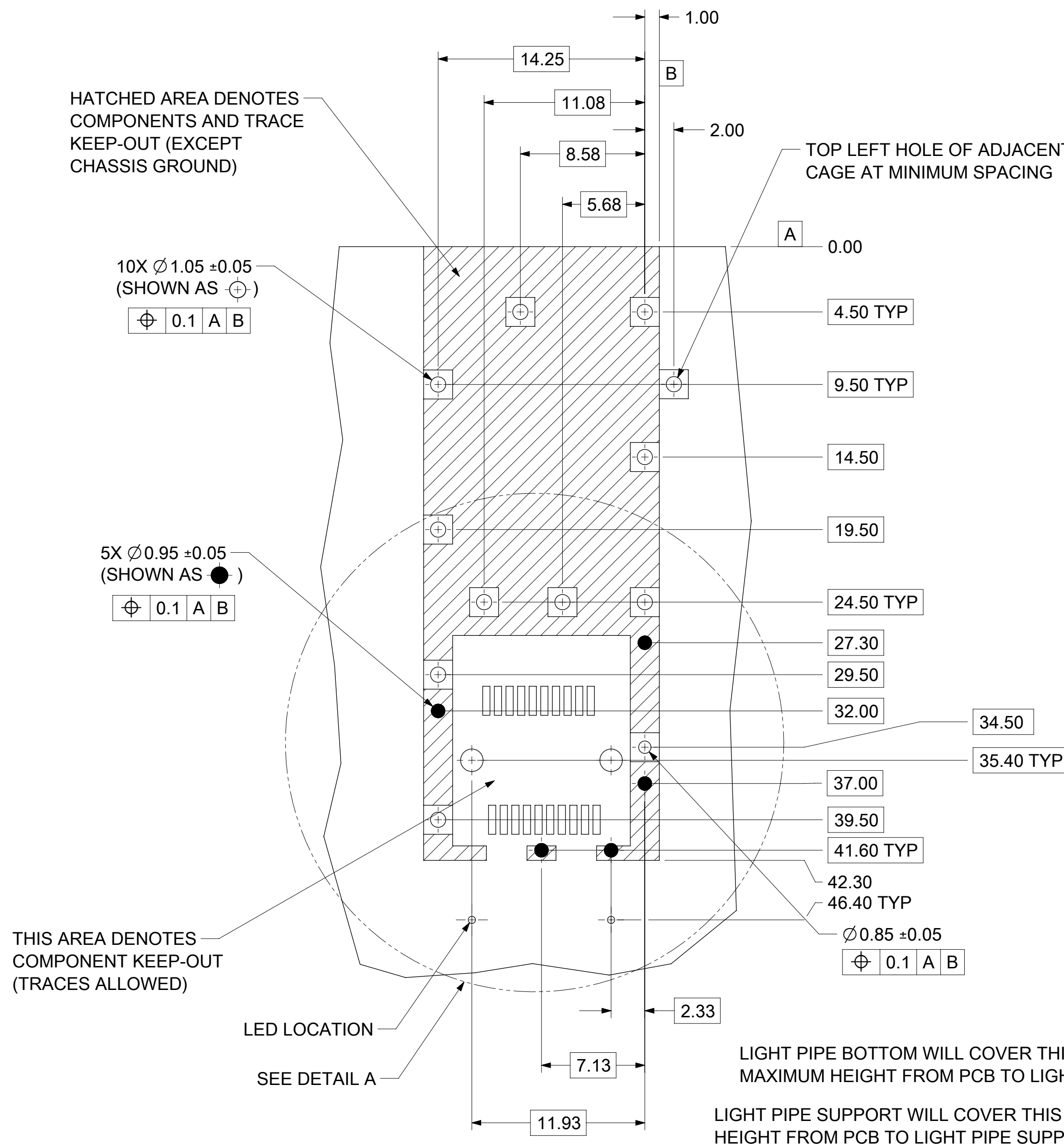


SL NO	FG PART NUMBER	DESCRIPTION	LIGHT PIPE
1	747548725	SFP+ 1X1 CAGE 2.28MM PRESS FIT PINS,SUS EMI SPRING FINGER W/ CUSTOM LIGHT PIPE	LEFT SIDE LIGHT PIPE TIP REMOVED
2	747548726	SFP+ 1X1 CAGE 2.28MM PRESS FIT PINS,SUS EMI SPRING FINGER W/ CUSTOM LIGHT PIPE	RIGHT SIDE LIGHT PIPE TIP REMOVED

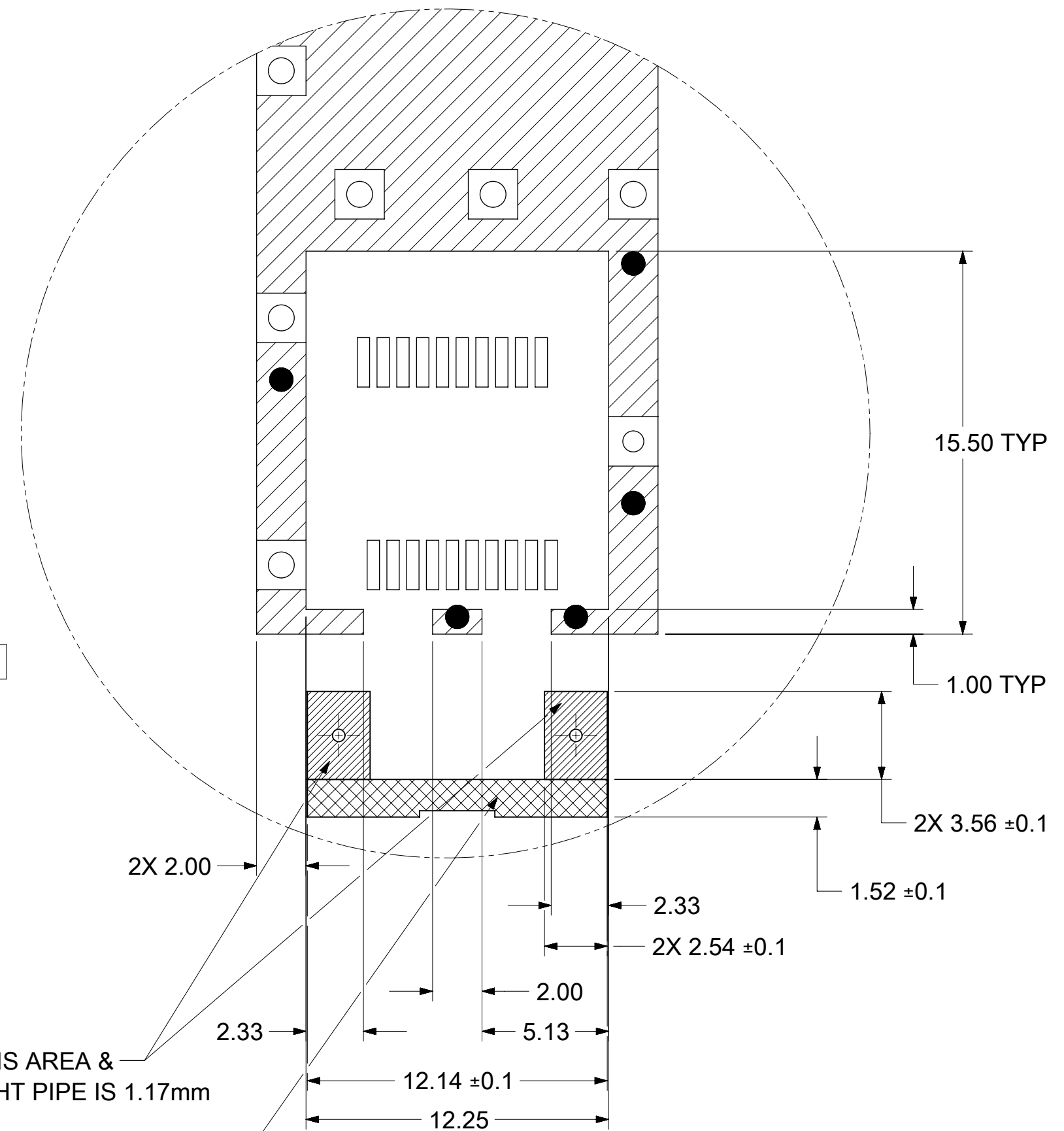
THIS DRAWING CONTAINS INFORMATION THAT IS PROPRIETARY TO MOLEX ELECTRONIC TECHNOLOGIES, LLC AND SHOULD NOT BE USED WITHOUT WRITTEN PERMISSION

DIMENSION UNITS	SCALE	CURRENT REV DESC: SEE REV TABLE	
mm	5:1		
GENERAL TOLERANCES (UNLESS SPECIFIED)		<p>molex</p> <p>SFP+ 1X1 CAGE ASSY PRESS FIT TYPE, W/ SUS EMI SPRING FINGER & CUSTOM LIGHT PIPE</p> <p>PRODUCT CUSTOMER DRAWING</p>	
ANGULAR TOL	± 1.0°		
4 PLACES	±		
3 PLACES	±		
2 PLACES	± 0.15		
1 PLACE	± 0.25	EC NO: 743532	2022/09/13
0 PLACES	±	DRWN: PKH	2023/03/23
		CHK'D: AMRUTH	2023/03/24
		APPR: TKUMARKC	
		INITIAL REVISION:	
		DRWN: PKH	2022/04/06
		APPR: SCHIEN	2022/05/26
DRAFT WHERE APPLICABLE MUST REMAIN WITHIN DIMENSIONS		THIRD ANGLE PROJECTION	DRAWING SERIES
		C-SIZE	74754
DOCUMENT STATUS		DOCUMENT NUMBER	DOC TYPE DOC PART REVISION
P1	RELEASE DATE	747548725	PSD ASY A1
2023/03/24	02:49:02	SEE SHEET 2	
		MATERIAL NUMBER	CUSTOMER
			SHEET NUMBER
			2 OF 7

PCB LAYOUT FOR SINGLE SIDE MOUNT



HOST CONNECTOR DETAIL

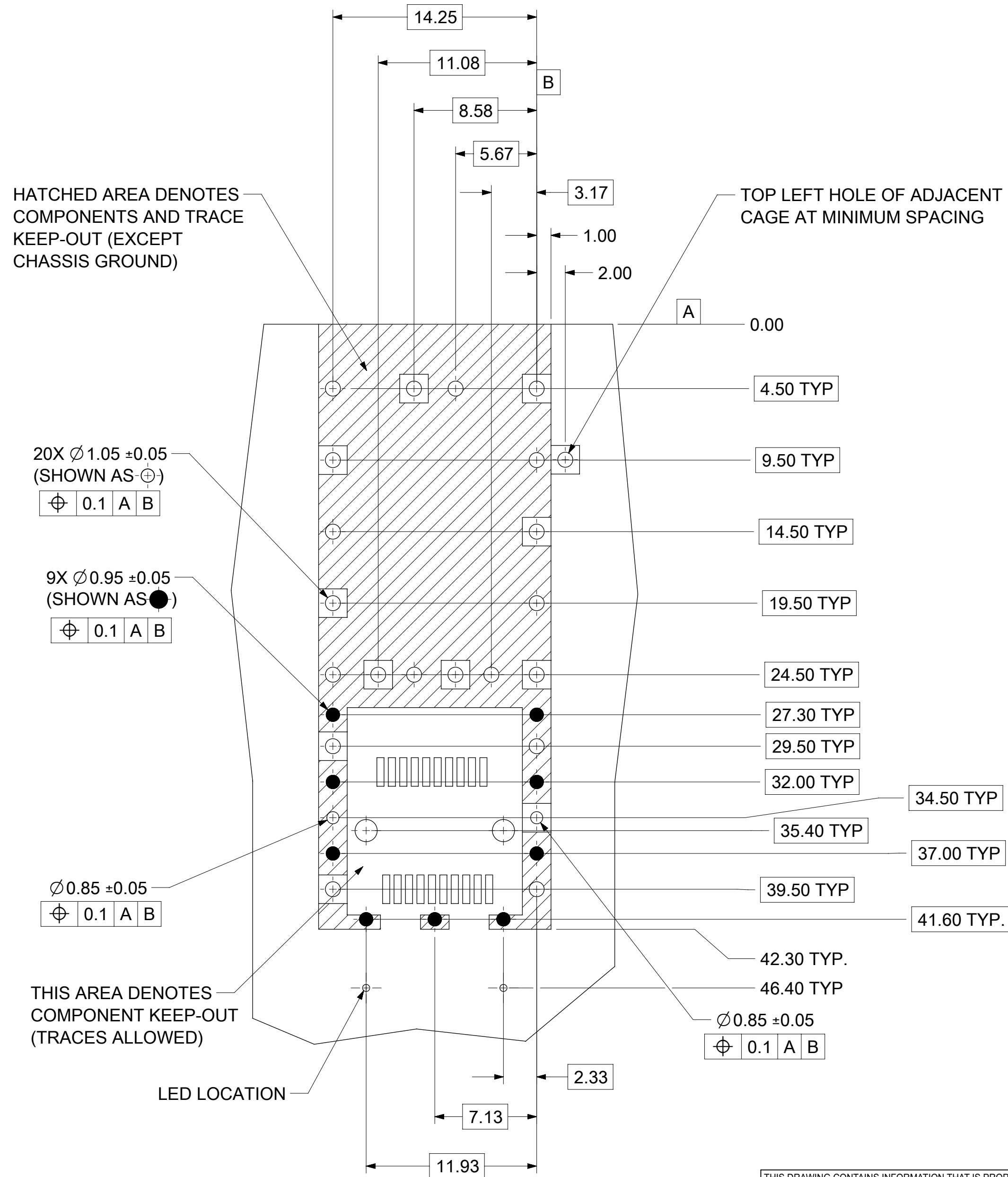


DETAIL A
SCALE 5:1

- NOTES:
1. PADS AND VIAS CONNECT TO CHASSIS GROUND (RECOMMEND PADS TO BE 2.00mm SQUARE)
 2. RECOMMEND THRU HOLE PLATING INCLUDES HASL, OSP, OR IMMERSION (GOLD, SILVER, OR TIN)
 3. CONNECTOR PAD LAYOUT PER SFP+ MSA WILL ACCOMMODATE MOLEX CONNECTOR SERIES 74441 OR EQUIVALENT

THIS DRAWING CONTAINS INFORMATION THAT IS PROPRIETARY TO MOLEX ELECTRONIC TECHNOLOGIES, LLC AND SHOULD NOT BE USED WITHOUT WRITTEN PERMISSION									
DIMENSION UNITS		SCALE		CURRENT REV DESC: SEE REV TABLE					
mm		4:1							
GENERAL TOLERANCES (UNLESS SPECIFIED)									
ANGULAR TOL		± 1.0°		EC NO: 743532					
4 PLACES		±		DRWN: PKH		2022/09/13			
3 PLACES		±		CHK'D: AMRUTH		2023/03/23			
2 PLACES		± 0.15		APPR: TKUMARKC		2023/03/24			
1 PLACE		± 0.25		INITIAL REVISION:					
0 PLACES		±		DRWN: PKH		2022/04/06		DOCUMENT NUMBER	
				APPR: SCHIEN		2022/05/26		747548725	
DRAFT WHERE APPLICABLE MUST REMAIN WITHIN DIMENSIONS		THIRD ANGLE PROJECTION		DRAWING		SERIES		MATERIAL NUMBER	
				C-SIZE		74754		SEE SHEET 2	
								CUSTOMER	
								PSD ASY A1	
								SHEET NUMBER	
								3 OF 7	

PCB LAYOUT FOR BELLY TO BELLY MOUNTING



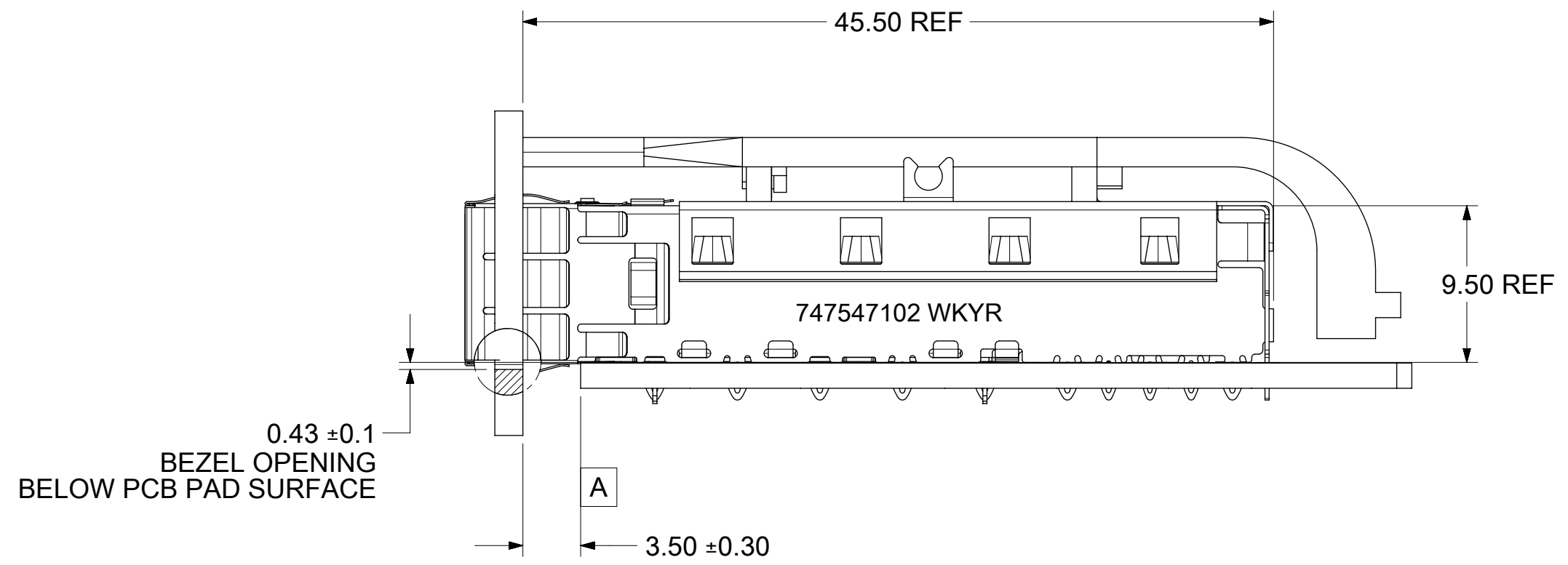
NOTE:
SEE SHEET 3 FOR
HOST CONNECTOR DETAIL

NOTES:

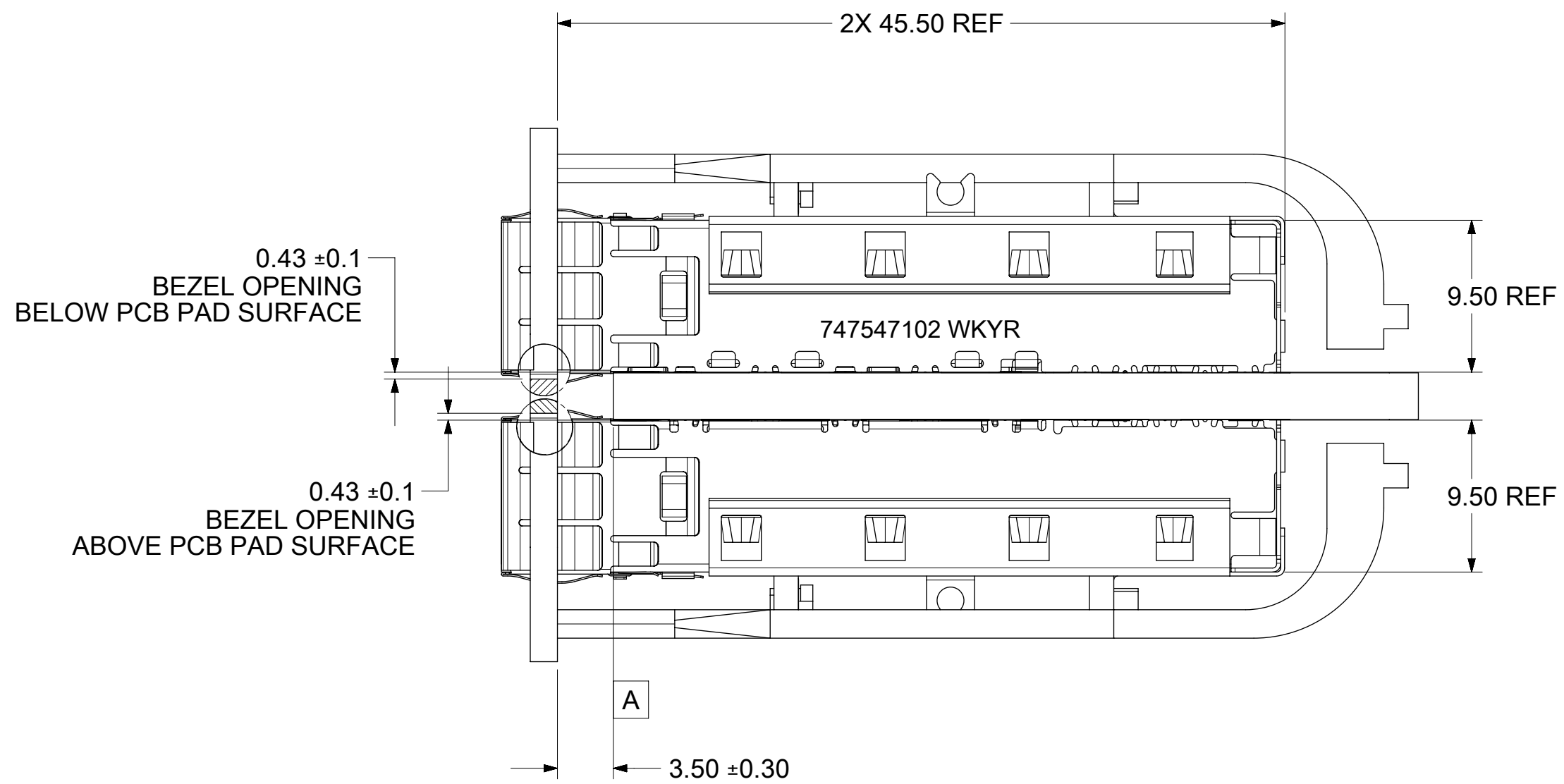
1. PADS AND VIAS CONNECT TO CHASSIS GROUND (RECOMMEND PADS TO BE 2.00mm SQUARE)
2. RECOMMENDED THRU HOLE PLATING INCLUDES HASL, OSP, OR IMMERSION (GOLD, SILVER, OR TIN).
3. CONNECTOR PAD LAYOUT PER SFP+ MSA WILL ACCOMMODATE MOLEX CONNECTOR SERIES 74441 OR EQUIVALENT.

THIS DRAWING CONTAINS INFORMATION THAT IS PROPRIETARY TO MOLEX ELECTRONIC TECHNOLOGIES, LLC AND SHOULD NOT BE USED WITHOUT WRITTEN PERMISSION									
DIMENSION UNITS		SCALE		CURRENT REV DESC: SEE REV TABLE				molex	
mm		4:1							
GENERAL TOLERANCES (UNLESS SPECIFIED)				EC NO: 743532				SFP+ 1X1 CAGE ASSY PRESS FIT TYPE, W/ SUS EMI SPRING FINGER & CUSTOM LIGHT PIPE	
ANGULAR TOL ± 1.0°				4 PLACES ±		DRWN: PKH 2022/09/13		PRODUCT CUSTOMER DRAWING	
				3 PLACES ±		CHK'D: AMRUTH 2023/03/23		DOCUMENT NUMBER	
				2 PLACES ± 0.15		APPR: TKUMARKC 2023/03/24		747548725	
				1 PLACE ± 0.25		INITIAL REVISION:		DOC TYPE DOC PART REVISION	
				0 PLACES ±		DRWN: PKH 2022/04/06		PSD ASY A1	
				APPR: SCHIEN 2022/05/26		MATERIAL NUMBER		SHEET NUMBER	
DRAFT WHERE APPLICABLE MUST REMAIN WITHIN DIMENSIONS				THIRD ANGLE PROJECTION		DRAWING		CUSTOMER	
				C-SIZE		SERIES		SEE SHEET 2	
				74754				4 OF 7	

BEZEL AND BOARD POSITION DIMENSIONS FOR SINGLE SIDE MOUNTING (CAGE WITH SPRING FINGER)



BEZEL AND BOARD POSITION DIMENSIONS FOR BELLY TO BELLY MOUNTING (CAGE WITH SPRING FINGER)



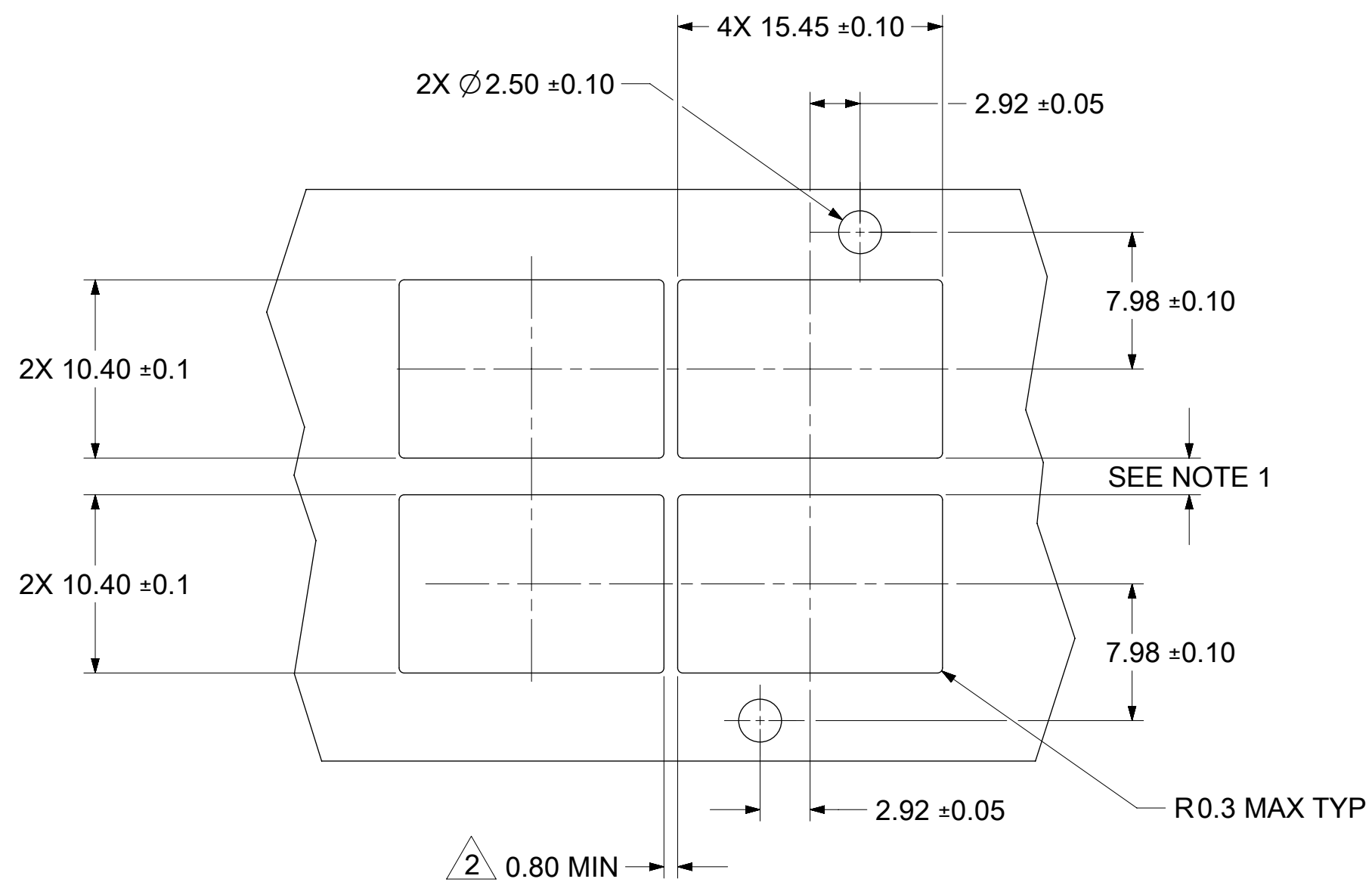
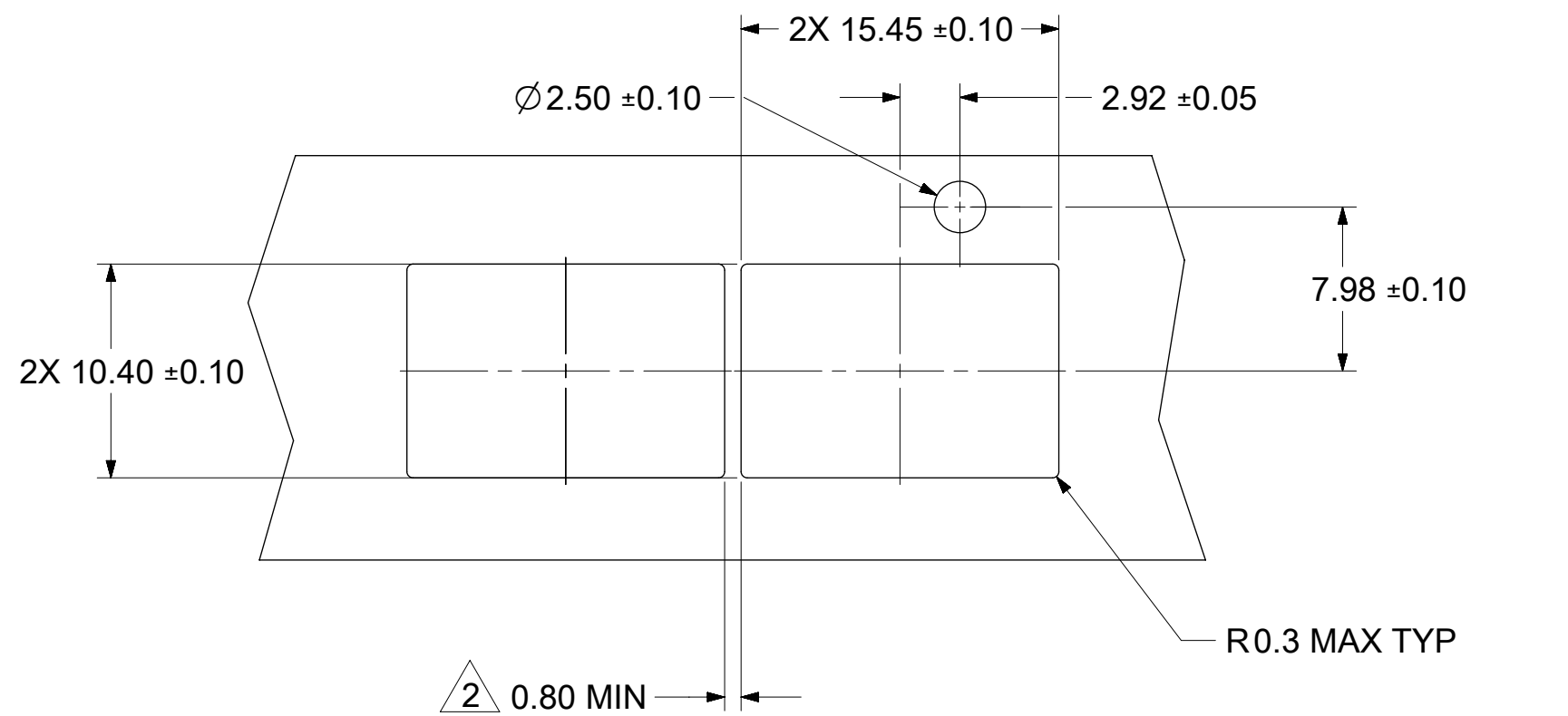
THIS DRAWING CONTAINS INFORMATION THAT IS PROPRIETARY TO MOLEX ELECTRONIC TECHNOLOGIES, LLC AND SHOULD NOT BE USED WITHOUT WRITTEN PERMISSION

DIMENSION UNITS	SCALE	CURRENT REV DESC: SEE REV TABLE		molex		
mm	3:1					
GENERAL TOLERANCES (UNLESS SPECIFIED)		EC NO: 743532		SFP+ 1X1 CAGE ASSY PRESS FIT TYPE, W/ SUS EMI SPRING FINGER & CUSTOM LIGHT PIPE		
ANGULAR TOL	± 1.0°	DRWN: PKH	2022/09/13	PRODUCT CUSTOMER DRAWING		
4 PLACES	±	CHK'D: AMRUTH	2023/03/23	DOCUMENT NUMBER		
3 PLACES	±	APPR: TKUMARKC	2023/03/24	747548725		
2 PLACES	± 0.15	INITIAL REVISION:		DOC TYPE	DOC PART	REVISION
1 PLACE	± 0.25	DRWN: PKH	2022/04/06	PSD	ASY	A1
0 PLACES	±	APPR: SCHIEN	2022/05/26	MATERIAL NUMBER		SHEET NUMBER
DRAFT WHERE APPLICABLE MUST REMAIN WITHIN DIMENSIONS		THIRD ANGLE PROJECTION	DRAWING	SERIES	CUSTOMER	SEE SHEET 2
			C-SIZE	74754		5 OF 7

DOCUMENT STATUS	P1	RELEASE DATE	2023/03/24 02:49:02
-----------------	----	--------------	---------------------

747548725 SHOWN

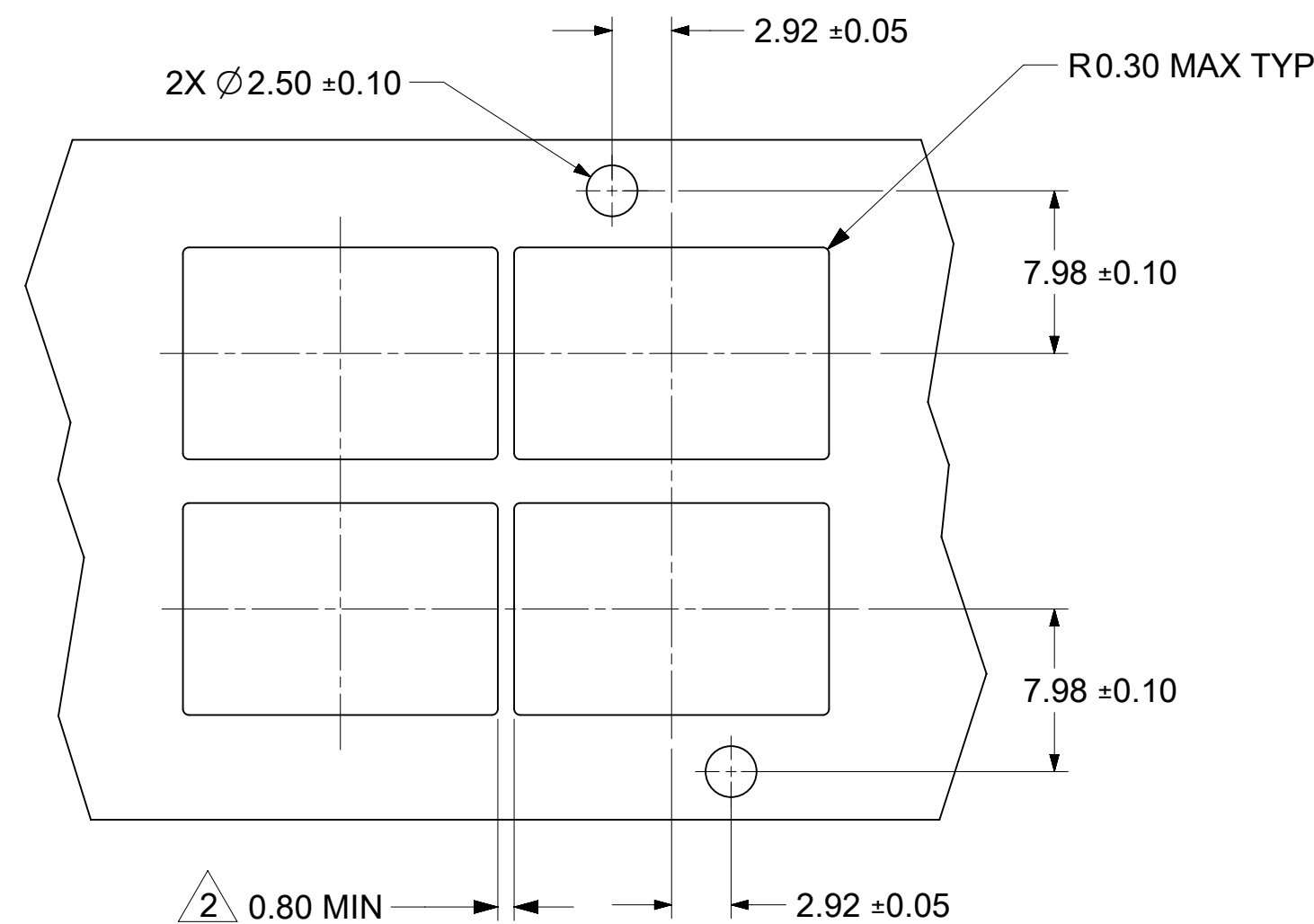
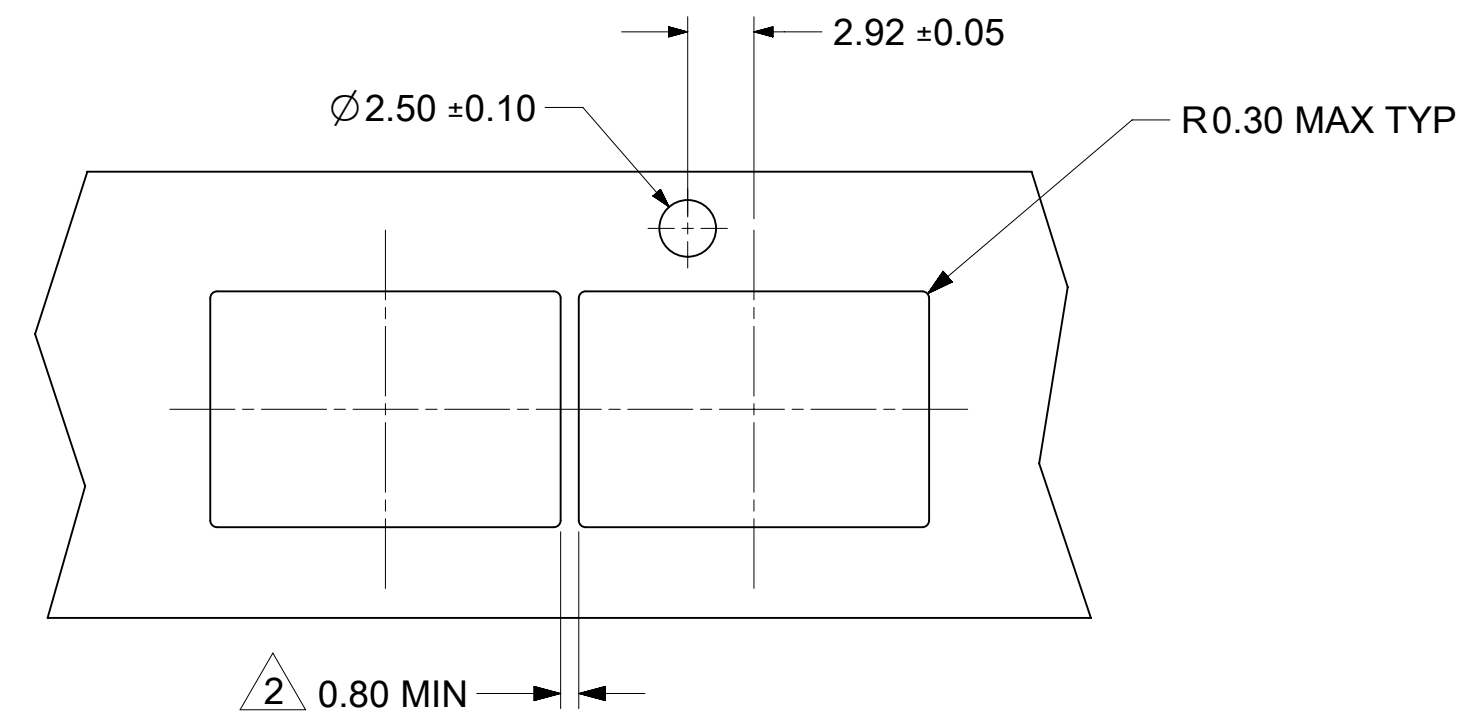
BEZEL DETAILS



NOTE:
 1. PCB THICKNESS VARIATION MUST BE CONSIDERED WHEN DETERMINING BEZEL OPENING AND LOCATION
 2. THIS DIMENSION IS FOR REFERENCE ONLY. USER CAN MODIFY IT DEPENDS ON APPLICATION.
 (THIS DIMENSION VARIES BASED ON DISTANCE OF "HOLE OF ADJACENT CAGE" ON PCB LAYOUT)

747548726 SHOWN

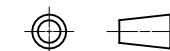
BEZEL DETAILS



THIS DRAWING CONTAINS INFORMATION THAT IS PROPRIETARY TO MOLEX ELECTRONIC TECHNOLOGIES, LLC AND SHOULD NOT BE USED WITHOUT WRITTEN PERMISSION									
DIMENSION UNITS		SCALE		CURRENT REV DESC: SEE REV TABLE				molex	
mm		1:1							
GENERAL TOLERANCES (UNLESS SPECIFIED)				EC NO: 743532				SFP+ 1X1 CAGE ASSY PRESS FIT TYPE, W/ SUS EMI SPRING FINGER & CUSTOM LIGHT PIPE	
ANGULAR TOL		± 1.0°		DRWN: PKH		2022/09/13		PRODUCT CUSTOMER DRAWING	
4 PLACES		±		CHK'D: AMRUTH		2023/03/23		DOCUMENT NUMBER	
3 PLACES		±		APPR: TKUMARKC		2023/03/24		747548725	
2 PLACES		± 0.15		INITIAL REVISION:				DOC TYPE DOC PART REVISION	
1 PLACE		± 0.25		DRWN: PKH		2022/04/06		PSD ASY A1	
0 PLACES		±		APPR: SCHIEN		2022/05/26		SHEET NUMBER	
DRAFT WHERE APPLICABLE MUST REMAIN WITHIN DIMENSIONS				THIRD ANGLE PROJECTION		DRAWING		MATERIAL NUMBER	
						C-SIZE		SERIES	
						74754		CUSTOMER	
						SEE SHEET 2		6 OF 7	

12 11 10 9 8 7 6 5 4 3 2 1

REV	DATE	DESCRIPTION
A	2022/05/19	INITIAL RELEASE
A1	2023/03/23	SHEET 01: G12 : NEW VIEW ADDED AND SHOWED THE UPDATED DATE CODE DETAILS. SHEET 02: B02 : DESCRIPTION UPDATED.

THIS DRAWING CONTAINS INFORMATION THAT IS PROPRIETARY TO MOLEX ELECTRONIC TECHNOLOGIES, LLC AND SHOULD NOT BE USED WITHOUT WRITTEN PERMISSION													
DIMENSION UNITS		SCALE		CURRENT REV DESC: SEE REV TABLE				molex					
mm		1:1											
GENERAL TOLERANCES (UNLESS SPECIFIED)				EC NO: 743532 DRWN: PKH 2022/09/13 CHK'D: AMRUTH 2023/03/23 APPR: TKUMARKC 2023/03/24				SFP+ 1X1 CAGE ASSY PRESS FIT TYPE, W/ SUS EMI SPRING FINGER & CUSTOM LIGHT PIPE					
ANGULAR TOL ± 1.0°								PRODUCT CUSTOMER DRAWING					
4 PLACES ±								INITIAL REVISION:		DOCUMENT NUMBER		DOC TYPE DOC PART REVISION	
3 PLACES ±								DRWN: PKH 2022/04/06		747548725		PSD ASY A1	
2 PLACES ± 0.15				APPR: SCHIEN 2022/05/26		MATERIAL NUMBER		CUSTOMER					
1 PLACE ± 0.25				DRAFT WHERE APPLICABLE MUST REMAIN WITHIN DIMENSIONS		THIRD ANGLE PROJECTION		SHEET NUMBER					
0 PLACES ±						DRAWING		SERIES					
DOCUMENT STATUS		P1		RELEASE DATE		2023/03/24 02:49:02		C-SIZE					
12		11		10		9		74754					
								SEE SHEET 2					
								CUSTOMER					
								7 OF 7					