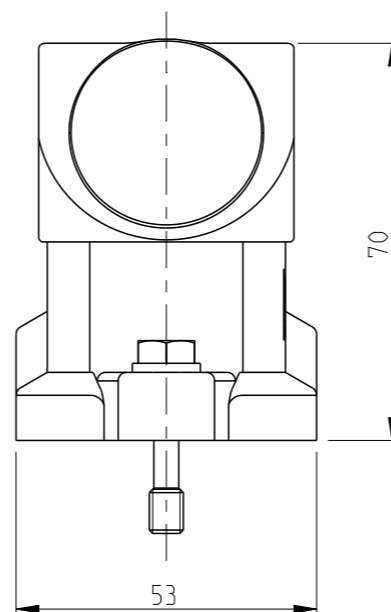
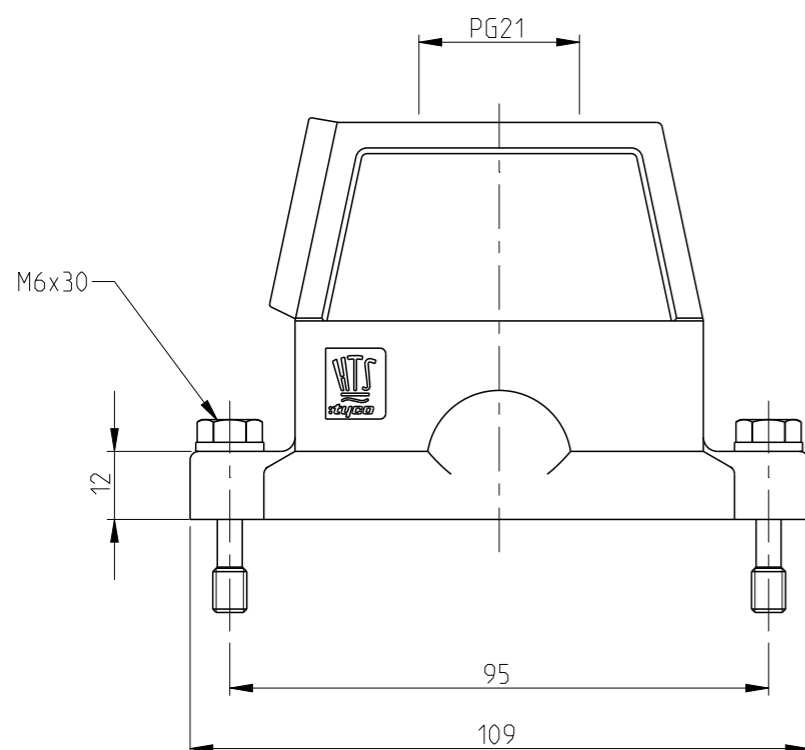


REVISIONS

P	LTR	DESCRIPTION	DATE	DWN	APVD
	C3	RELEASED AS PER ECR 08-023624	18-SEP-2008	GG	TS
	C4	REVISED PER ECR-16-016768	21AUG2017	AP	MKO

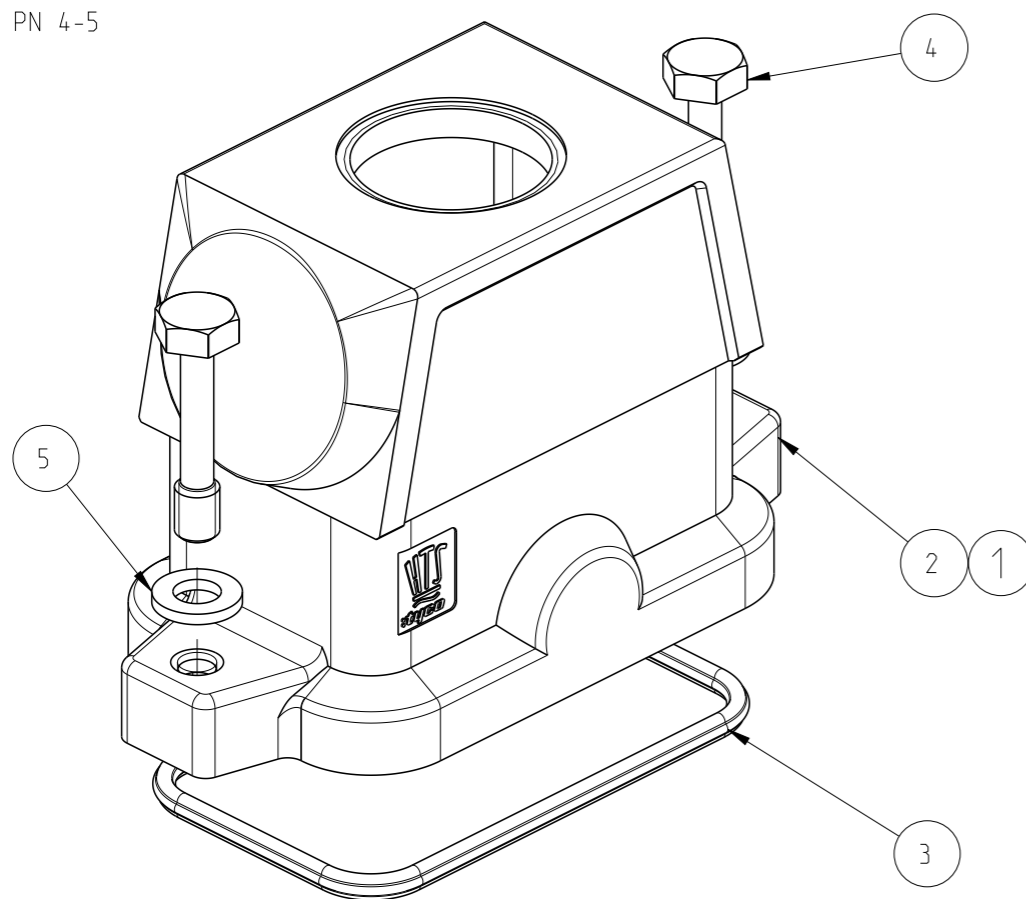
PN 3-5 & PN 4-5



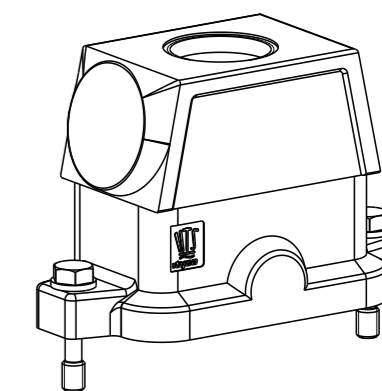
NOTES

- 1 MATERIAL:  
HOUSING: ALUMINIUM DIECASTING ALLOY
- 2 SURFACE: VARNISH -GREY  
chromital TCP - PASSIVATION  
VARNISH BLACK
- 3 PARTS SHALL BE FREE AND CLEAN OF BURRS AND OTHER FOREIGN MATERIAL

PN 3-5 & PN 4-5



PN 3-5 & PN 4-5



SCALE 1:2

OBSOLETE

QTY	DESCRIPTION	MATERIAL	SURFACE	COLOR	ITEM NO	NOTES
2	WASHER, PLAIN	STAINLESS STEEL	BLANK		5	
2	SCREW, HEXAGONAL BOLT	STAINLESS STEEL	BLANK		4	
1	SEAL	NBR		CONDUCTIVE BLACK	3	68±3,SHORE A
1	HOOD SIZE 4 HIP BG4 PG-THREAD	ALUMINIUM/ALU	YELLOW CHROMATED	BLACK RAL 9005	2	EMV-K.10/24
-	HOOD SIZE 4 HIP BG4 PG-THREAD	ALUMINIUM/ALU		GREY RAL 7001	1	EMV.10/24
4-5	DESCRIPTION	MATERIAL	SURFACE	COLOR	ITEM NO	NOTES
	EMV.10/24.STO.1.21.G					
	EMV-K.10/24.STO.1.21.G	ORDERING TEXT				

THIS DRAWING IS A CONTROLLED DOCUMENT.

DWN Kramer 20.05.98

CHK -

APVD -

PRODUCT SPEC -

APPLICATION SPEC -

WEIGHT -

CUSTOMER DRAWING

SCALE 3:4 SHEET 1 OF 1 REV C4

**STE** TE Connectivity

NAME HOOD ASSY EMV.10/24.STO.1.21.G

SIZE A3 CAGE CODE 3007799 DRAWING NO C-1102715 RESTRICTED TO

DIMENSIONS:	TOLERANCES UNLESS OTHERWISE SPECIFIED:
mm	n.ISO 8015: ±
	1 PLC ±
	2 PLC ±
	3 PLC ±
	4 PLC ±
	ANGLES ±
MATERIAL	FINISH
1	2